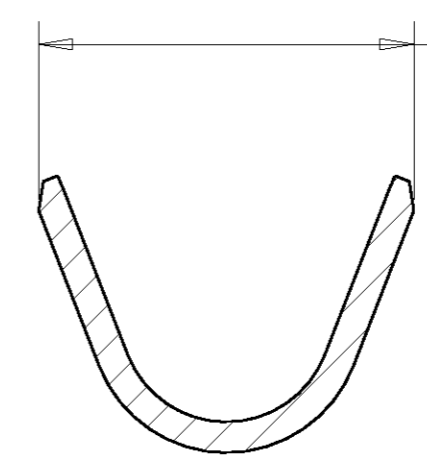
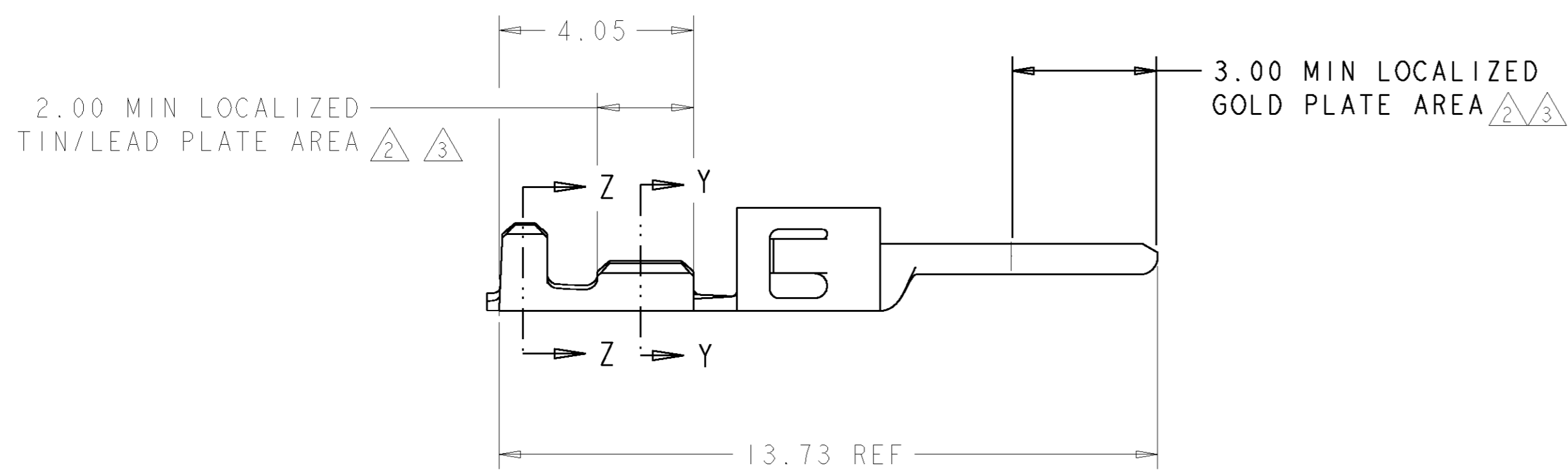
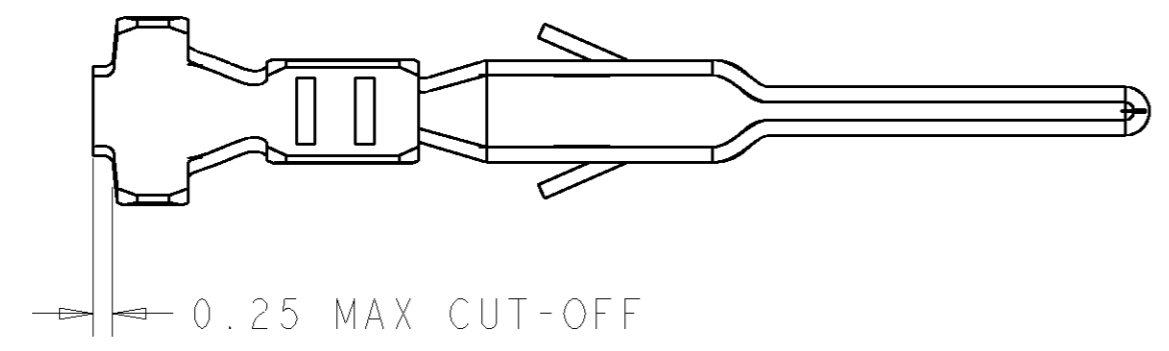


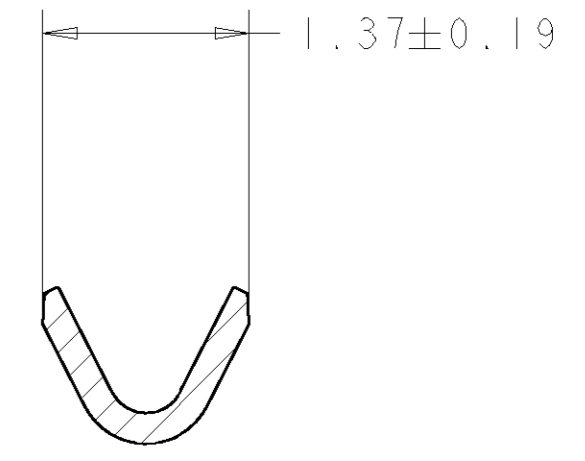
THIS DRAWING IS UNPUBLISHED. RELEASED FOR PUBLICATION 20  
 © COPYRIGHT 20 BY TYCO ELECTRONICS CORPORATION. ALL RIGHTS RESERVED.

LOC	DIST	REVISIONS					
		P	LTR	DESCRIPTION	DATE	DWN	APVD
CM	00		A	REVISED PER 063B-0289-03	17-JUL-03	KW	CJ

- ① 2.5 μm MIN BRIGHT TIN/LEAD ENTIRE STOCK OVER 1.27 μm MIN NICKEL ENTIRE STOCK.
- ② 0.38 μm MIN GOLD IN LOCALIZED GOLD PLATE AREA, 2.5 μm MIN BRIGHT TIN/LEAD IN LOCALIZED TIN/LEAD PLATE AREA, BOTH OVER 1.27 μm MIN NICKEL ON ENTIRE STOCK.
- ③ 0.76 μm MIN GOLD IN LOCALIZED GOLD PLATE AREA, 2.5 μm MIN BRIGHT TIN/LEAD IN LOCALIZED TIN/LEAD PLATE AREA, BOTH OVER 1.27 μm MIN NICKEL ON ENTIRE STOCK.
- 4. WIRE RANGE 26-30 AWG.
- 5. INSULATION RANGE 0.89-1.52

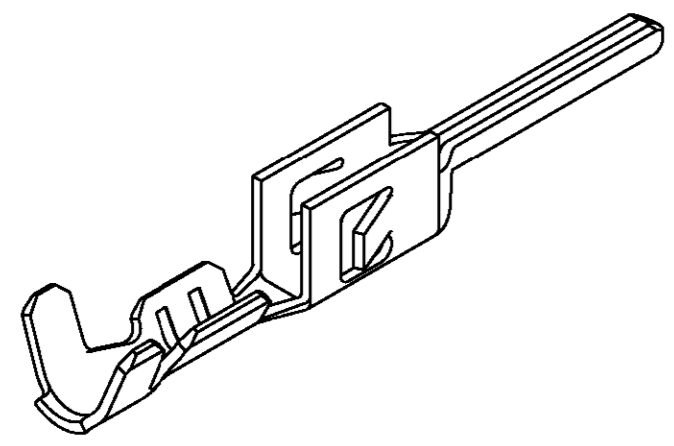


SECTION Z-Z  
SCALE 20:1



SECTION Y-Y  
SCALE 20:1

③	794613-3
②	794613-2
①	794613-1
FINISH	PART NUMBER



METRIC

THIS DRAWING IS A CONTROLLED DOCUMENT FOR TYCO ELECTRONICS CORPORATION. IT IS SUBJECT TO CHANGE AND THE CONTROLLING ENGINEERING ORGANIZATION SHOULD BE CONTACTED FOR THE LATEST REVISION.		DWN	W J RUDY	29AUG2000	Tyco Electronics Harrisburg, PA 17105-3608
DIMENSIONS:		CHK	W DAVIS	29AUG2000	
mm		APVD	W DAVIS	29AUG2000	
		PRODUCT SPEC			
TOLERANCES UNLESS OTHERWISE SPECIFIED:		APPLICATION SPEC			
0 PLC ±		WEIGHT			
1 PLC ±		CUSTOMER DRAWING			
2 PLC ±0.13		SCALE	10:1	SHEET	1 OF 1
3 PLC ±		REV	A		
4 PLC ±					
ANGLES ±					
FINISH -					
MATERIAL	0.20 THK BRASS	NAME	PLUG CONTACT, CRIMP SNAP, 26-30 AWG, LOOSE PIECE, MICRO MATE-N-LOK™		
		SIZE	A2	CAGE CODE	00779
		DRAWING NO	G-794613		
		RESTRICTED TO			