

DRG No.

UNLESS STATED OTHERWISE LIMITS ARE $\pm 0.25\text{mm}$

CHAMFER ALL THREADS AT 45° TO DEPTH OF THREAD + 0.4mm

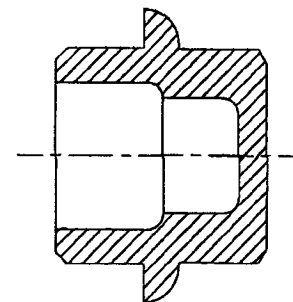
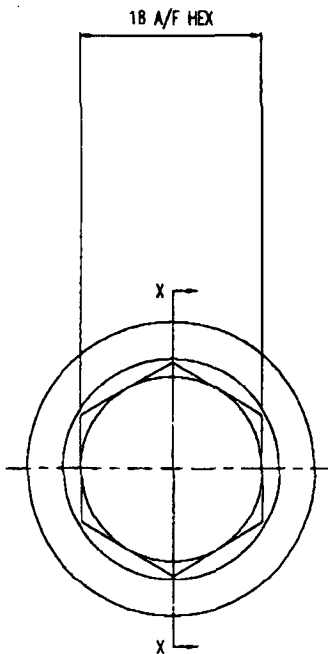
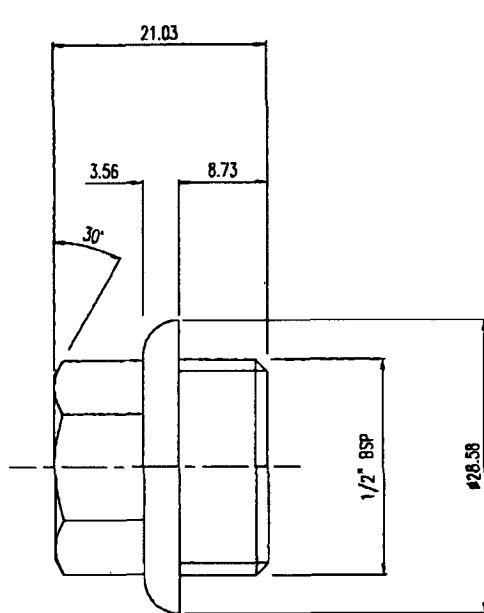
REMOVE ALL BURRS AND SHARP EDGES

Ⓢ = CRITICAL FUNCTION - NON-CONCESSIBLE

MACHINE AT ✓

ALL DIMENSIONS IN MILLIMETRES

IF IN DOUBT ASK



SECTION X-X

1/2" 78

						DESC	
						METHOD CODE No	
						MATERIAL CAT No.	
						FINISH REF No	
DATE	PA NO.	ISS	DRN	MODIFICATION		DRAWN	
© IBP-CONEX LTD, WHITEHALL RD, TIPTON, WEST MIDLANDS.						SCALE 2/1	PROJECTION
						DATE	DRG No.

TEL: 0121 557 2831
FAX: 0121 520 8778

