

Universal NI Zinc Coated Steel



INDEX

[Leaflet](#)
[Catalogue Information](#)
[Technical Drawings](#)

WEB LINKS

[Universal NI – Zinc Coated Steel Information Page](#)
[Ask a question / Send us an enquiry](#)
[Information about B&R](#)
[Local Sales Team Phone Numbers](#)

Universal NI – Zinc Coated Steel



Features

- Easy access with reversible door opening 120°
- Gland plates supplied on 200mm and 300mm deep enclosures
- Robust 7mm square chrome locking system
- Foamed in place polyurethane gasket
- Specially designed gutter
- Robust fully welded construction
- Flexible equipment mounting options
- Corrosion resistant zinc coated steel with powdercoat finish

Approvals

- CE marked
- Lloyds



OVERVIEW

The Universal NI is a general purpose enclosure designed to maximise life in service and built for industrial or demanding environments. They are manufactured from 1.2 / 1.6mm thick zinc coated steel to minimise corrosion. The unique wall mounting feature ensures installations are quick and easy with no need to drill holes in the enclosure body.

MATERIALS

- Body – Zinc coated steel
- Body thickness – 1.2 / 1.6mm
- Gasket - FIP polyurethane
- Surface finish – Powdercoated light grey RAL7035 or X-15 Orange

APPLICATION

Designed to house equipment such as electrical controls and instrumentation, junction terminations and PLC'S.

INCLUSIONS

- 2mm steel mounting pan
- Gland plate (200mm deep and above)
- 7mm square turnbuckle lock (NI020)
- Door Rails
- Earth strap kit



Universal NI – Zinc Coated Steel

SELECTION GUIDE

Catalogue No.		Dimensions (mm)					Mounting Pan (mm)			Door Rails		Fixing points**	No of locks	Weight (kg)
Standard	X-15 orange	Height	Width	Depth	Usable Depth*	Thk.	Height	Width	Vertical	Horizontal				
NI03021	NI03021/RO	300	200	150	125	1.2	125	1.2			4	1	3.9	
NI03031	NI03031/RO	300	300	150	125	1.2	125	1.2			4	1	5.3	
NI03041	NI03041/RO	300	400	150	125	1.2	125	1.2			4	1	6.7	
NI04032	NI04032/RO	400	300	200	175	1.6	175	1.6	•		4	1	7.5	
NI03042	NI03042/RO	300	400	200	175	1.6	175	1.6	•		4	1	7.4	
NI04042	NI04042/RO	400	400	200	175	1.6	175	1.6	•		4	1	11.8	
NI05042	NI05042/RO	500	400	200	175	1.6	175	1.6	•		4	1	14.3	
NI06042	NI06042/RO	600	400	200	175	1.6	175	1.6	•		4	1	16.7	
NI05052	NI05052/RO	500	500	200	175	1.6	175	1.6	•		4	1	17.0	
NI04062	NI04062/RO	400	600	200	175	1.6	175	1.6	•		4	1	16.4	
NI06062	NI06062/RO	600	600	200	175	1.6	175	1.6	•		4	1	23.2	
NI08062	NI08062/RO	800	600	200	175	1.6	175	1.6	•		6	2	29.9	
NI10062	NI10062/RO	1000	600	200	175	1.6	175	1.6	•		6	2	36.7	
NI04043	NI04043/RO	400	400	300	275	1.6	275	1.6	•		4	1	14.1	
NI06043	NI06043/RO	600	400	300	275	1.6	275	1.6	•		4	1	19.5	
NI04063	NI04063/RO	400	600	300	275	1.6	275	1.6	•		4	1	19.2	
NI06063	NI06063/RO	600	600	300	275	1.6	275	1.6	•		4	1	26.6	
NI08063	NI08063/RO	800	600	300	275	1.6	275	1.6	•		6	2	33.9	
NI10063	NI10063/RO	1000	600	300	275	1.6	275	1.6	•		6	2	41.2	
NI08083	NI08083/RO	800	800	300	275	1.6	275	1.6	•	•	6	2	42.7	
NI10083	NI10083/RO	1000	800	300	275	1.6	275	1.6	•	•	6	2	51.8	
NI12083	NI12083/RO	1200	800	300	275	1.6	275	1.6	•	•	8	2	61.0	

* Mounting pan to inside of door

** Suits M8 fixing

ACCESSORIES

Product	Description	Catalogue No.
Rainhood	30mm high	NIRH021
	30mm high	NIRH031
	30mm high	NIRH032
	30mm high	NIRH041
	30mm high	NIRH042
	30mm high	NIRH043
	30mm high	NIRH062
	30mm high	NIRH063
	30mm high	NIRH082
	30mm high	NIRH083
	Vent kit – external	130 x 130mm
Wall mounting brackets	316 stainless steel (4)	MEB/S
	75 x 200mm	MF2/S
Mounting flange kit – 316 stainless steel	75 x 300mm	MF3/S
	75 x 400mm	MF4/S
	75 x 500mm	MF5/S
	75 x 600mm	MF6/S
	75 x 800mm	MF8/S



Rainhood



Wall mount brackets



Vent Kit – external

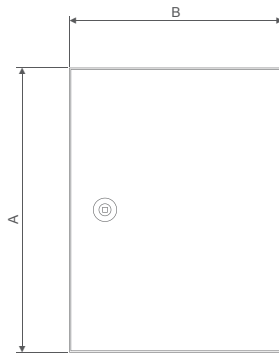
National Sales
P 1300 Enclosures (1300 362 567)
F 1300 796 599
E sales@brenclosures.com.au
brenclosures.com.au

Queensland P +61 7 3714 1111
Townsville P +61 7 4727 1900
Sydney P +61 2 9915 9555
Victoria P +61 3 9552 0552
South Australia P +61 8 8417 6222
Western Australia P +61 8 6310 4777

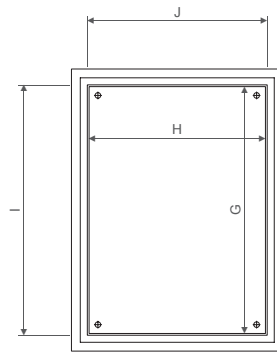
Queensland P +61 7 3714 1111
Townsville P +61 7 4727 1900
Sydney P +61 2 9915 9555
Victoria P +61 3 9552 0552
South Australia P +61 8 8417 6222
Western Australia P +61 8 6310 4777



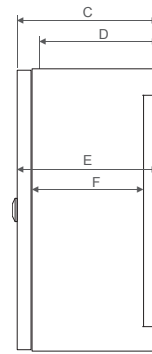
Technical Drawings



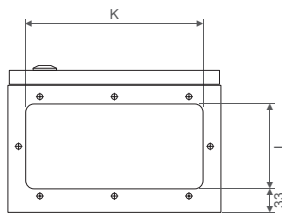
Front View



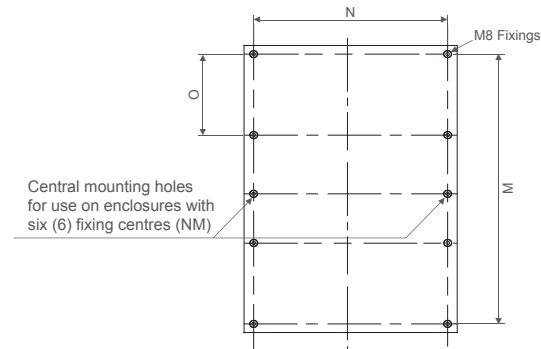
Front View with Internals



Side View



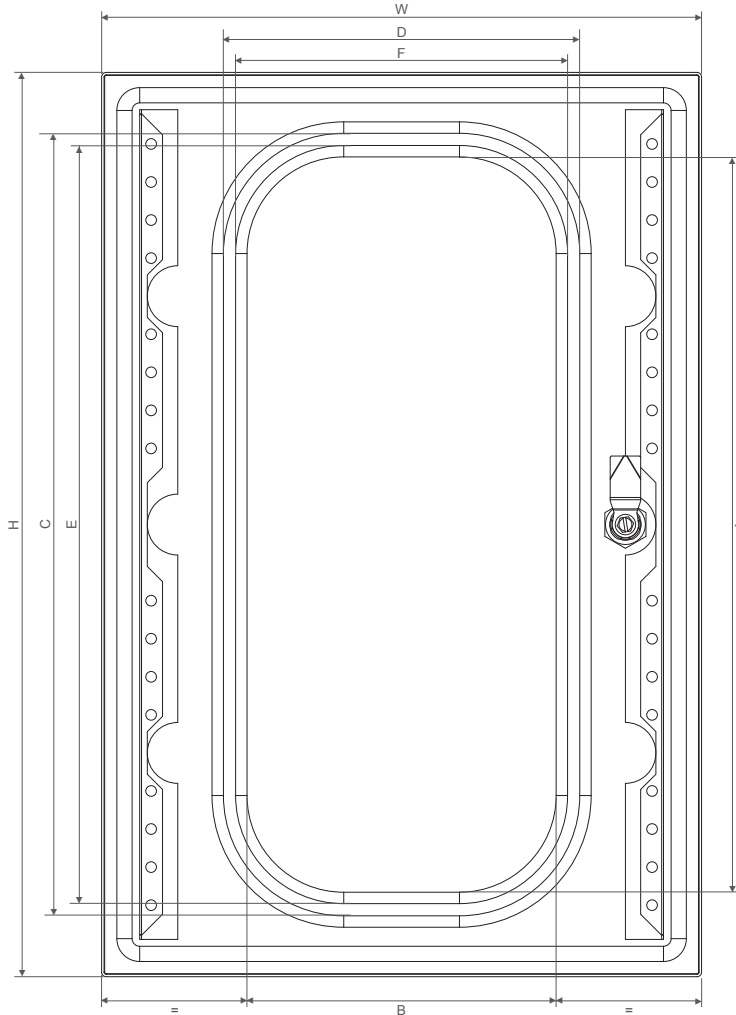
Bottom View



Rear View

Catalogue No.	Dimensions (mm)														Fixing Centres	Fixing Points	No of Locks
	External		Internal Depth		Mounting Pan		Opening Size		Gland Plates		K	L	M	N			
	A	B	C	D	E	F	G	H	I	J							
NI03021	300	200	150	129	145	108	250	150	255	155	—	—	225	125	—	4	1
NI03031	300	300	150	129	145	108	250	250	255	255	—	—	225	225	—	4	1
NI03041	300	400	150	129	145	108	250	350	255	355	—	—	225	325	—	4	1
NI03042	300	400	200	179	195	158	250	350	255	355	250	120	225	325	—	4	1
NI04032	400	300	200	179	195	158	350	250	355	255	250	120	325	225	—	4	1
NI04042	400	400	200	179	195	158	350	350	355	355	250	120	325	325	—	4	1
NI05042	500	400	200	179	195	158	450	350	455	355	250	120	425	325	—	4	1
NI06042	600	400	200	179	195	158	550	350	555	355	250	120	525	325	—	4	1
NI04062	400	600	200	179	195	158	350	550	355	555	440	120	325	525	—	4	1
NI05052	500	500	200	179	195	158	450	450	455	455	440	120	425	425	—	4	1
NI06062	600	600	200	179	195	158	550	550	555	555	440	120	525	525	—	4	1
NI08062	800	600	200	179	195	158	750	550	755	555	440	120	725	525	—	6	2
NI10062	1000	600	200	179	195	158	950	550	955	555	440	120	925	525	—	6	2
NI04043	400	400	300	279	295	258	350	350	355	355	250	120	325	325	—	4	1
NI04063	400	600	300	279	295	258	350	550	355	555	440	120	325	525	—	4	1
NI06043	600	400	300	279	295	258	550	350	555	355	250	120	525	325	—	4	1
NI06063	600	600	300	279	295	258	550	550	555	555	440	120	525	525	—	4	1
NI08063	800	600	300	279	295	258	750	550	755	555	440	120	725	525	—	6	2
NI08083	800	800	300	279	295	258	750	750	755	755	440	120	725	725	—	6	2
NI10063	1000	600	300	279	295	258	950	550	955	555	440	120	925	525	—	6	2
NI10083	1000	800	300	279	295	258	950	750	955	755	440	120	925	725	—	6	2
NI12083	1200	800	300	279	295	258	1150	750	1155	755	440	120	1125	725	338	8	2

Technical Drawings – Viewing Window



Door Inside View

Catalogue No.		Dimensions (mm)							
		Enclosure size		Viewing Area		Cutout Size		Window Size	
Zinc coated steel	316 stainless steel	H	W	A	B	C	D	E	F
NI0303	–	300	300	186	106	214	134	198	118
NI0304	–	300	400	186	206	214	234	198	218
NI0403	NI0403/S	400	300	286	106	314	134	298	118
NI0404	NI0404/S	400	400	286	206	314	234	298	218
NI0406	NI0406/S	400	600	286	406	314	434	298	418
NI0504	–	500	400	386	206	414	234	398	218
NI0505	–	500	500	386	306	414	334	398	318
NI0604	NI0604/S	600	400	486	206	514	234	498	218
NI0606	NI0606/S	600	600	486	406	514	434	498	418
NI0806	NI0806/S	800	600	686	406	714	434	698	418
NI0808	NI0808/S	800	800	606	606	634	634	698	618
NI1006	NI1006/S	1000	600	886	406	914	434	898	418
NI1008	NI1008/S	1000	800	806	606	834	634	818	618
NI1208	NI1008/S	1200	800	1006	606	1034	634	1018	618