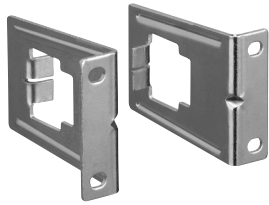


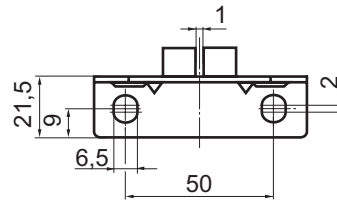
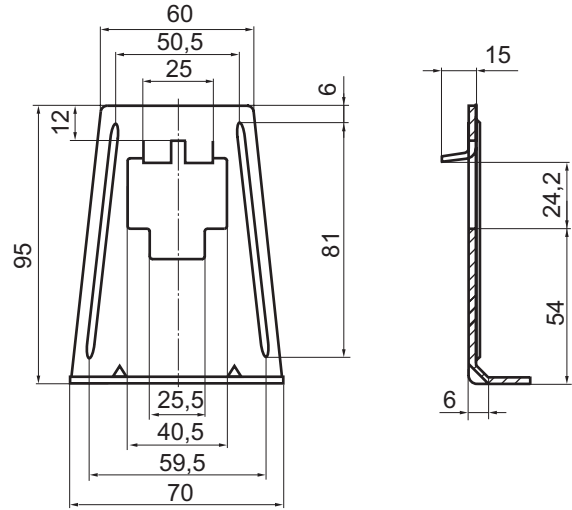
Directional valves → Electrically operated

Series TC15
Accessories

Mounting bracket
► For manifold strip



00109940



00132819

Part No.	Type	Weight [kg]	Delivery quantity [Piece]						
1821332050	Mounting bracket	0.099	2						