

Datasheet

Clamping Kit

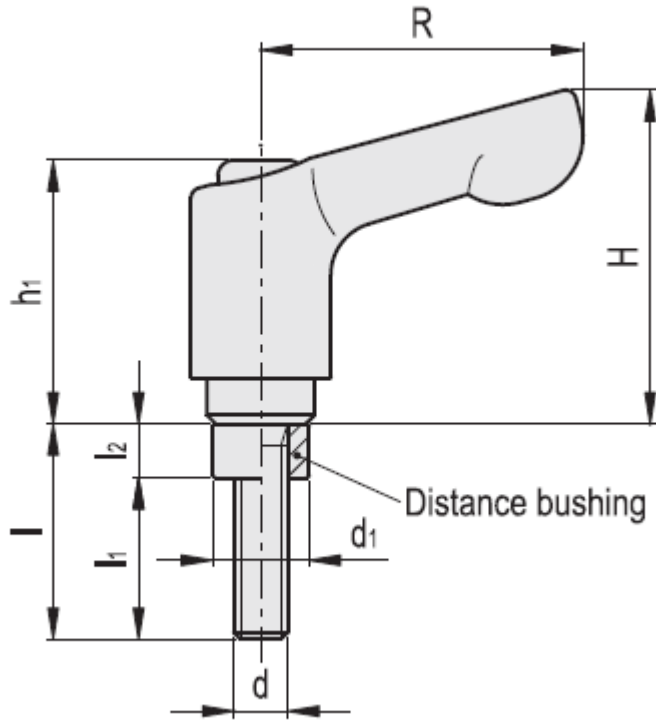


Specifications

- Lever body
Zinc alloy die-cast, epoxy resin coating.
- Colour
RAL 9006 silver.
- Standard execution
AISI 303 stainless steel clamping element with retaining screw.
AISI 301 stainless steel return spring.
AISI 303 stainless steel distance bushing.

Features and applications

GN 511 clamping kit can be used as an alternative to the clamping screws supplied with the different kinds of connecting clamps. The correspondent clamping kits are indicated in the tables of the different clamps.



Main Dimensions								
Stock No.	d1	d2	l1	l2	l3	l4	h1	h2
7866217	M4	7.5	30	16	11.5	4.5	24.5	30.5
7866210	M5	9	30	16	10	6	24.5	30.5
7866214	M6	10.5	45	20	13.5	6.5	24.5	35