

Features

- Made of ABS
- Lid made of transparent PC
- Available in light grey color
- Protection against liquids and solid objects: IP65 rating
- Supplied with four screws
- Threaded brass inserts for reliable assembly

RS PRO Hermetic Enclosure

RS Stock No.: (0672321)



RS PRO is the own brand of RS. The RS PRO Seal of Approval is your assurance of professional quality, a guarantee that every part is rigorously tested, inspected, and audited against demanding standards. Making RS PRO the Smart Choice for our customers.

Product Description

Hermetic enclosure ideal for applications requiring protection against water ingress. The enclosure is supplied with silicone gasket that provides IP65 rating. Lid manufactured with recess for membrane keypads and overlays. Threaded brass inserts ensures reliable assembly of the enclosure.

General Specifications

| | |
|-----------------------|-----------------------|
| Body Material | ABS |
| Colour | Light grey |
| Lid Material | PC |
| Lid Colour | Transparent |
| RAL Code | RAL 7035 |
| Accessories | Screw M3 17/10 - 4psc |
| Cover Screws Material | Galvanized Steel |

Mechanical Specifications

| | |
|-----------------|----------|
| Gasket Material | Silicone |
| External Height | 60mm |
| External Length | 60mm |
| External Width | 120mm |

Protection Category

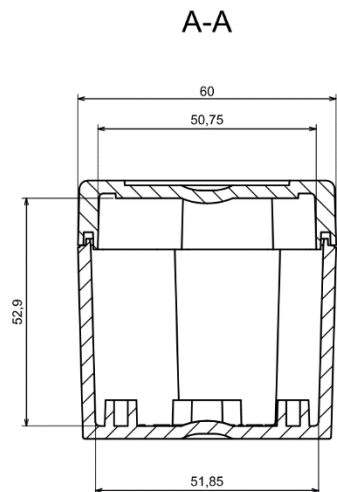
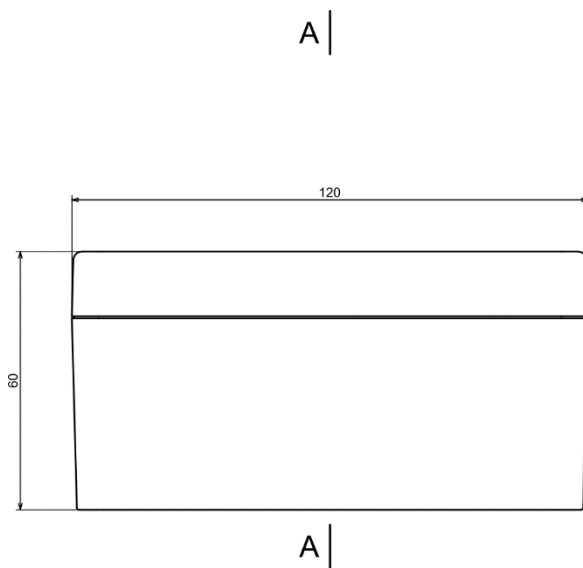
| | |
|-----------|------|
| IP Rating | IP65 |
|-----------|------|

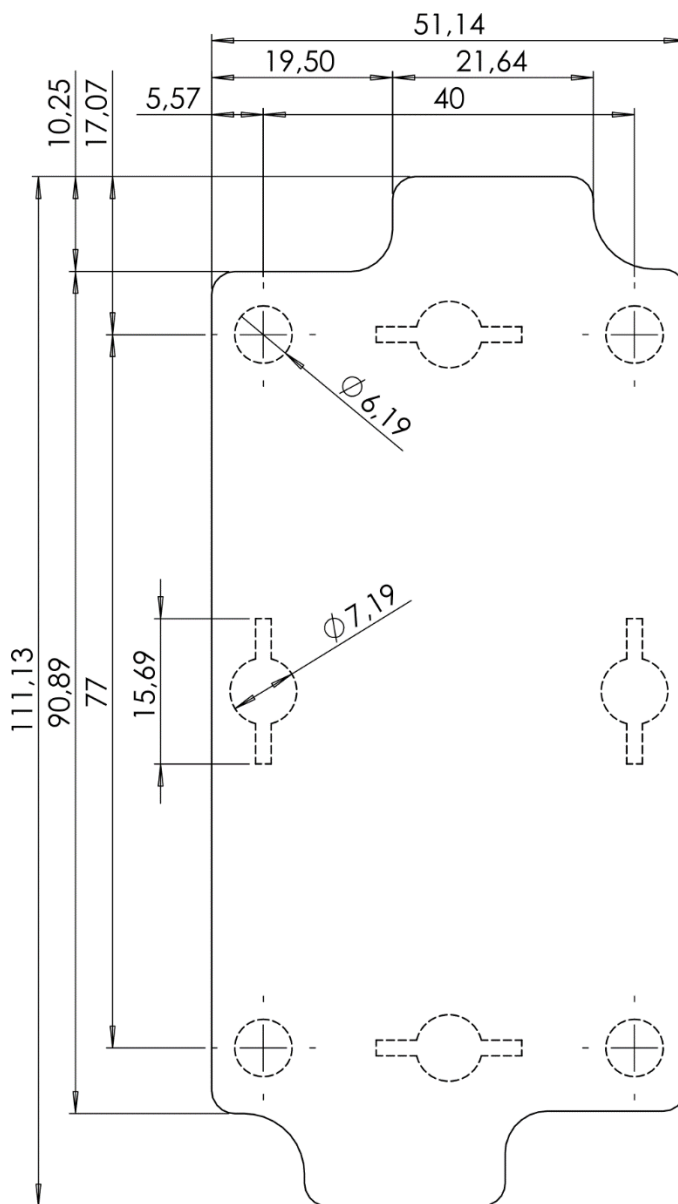
Approvals

| | |
|---------------------|----------------|
| Declarations | REACH |
| Standard Met | RoHS Compliant |

Similar Products

| Stock No. | Brand | Product Name | Body Material | Colour | Shielded |
|-----------------------------|--------|---------------------------|---------------|---------------------|----------|
| ZP120.80.60JpH TM ABS-PC | RS PRO | General Purpose Enclosure | ABS PC | Grey Transparent | No |
| 0672299 | RS PRO | General Purpose Enclosure | ABS PC | Grey Transparent | No |





Dashed line shows outline of the mounting boss under PCB board
Recommended mounting holes diameter $\phi 3,6\text{mm}$
All dimensions are given within $\pm 0,5\text{mm}$ tolerance