

# MP-88

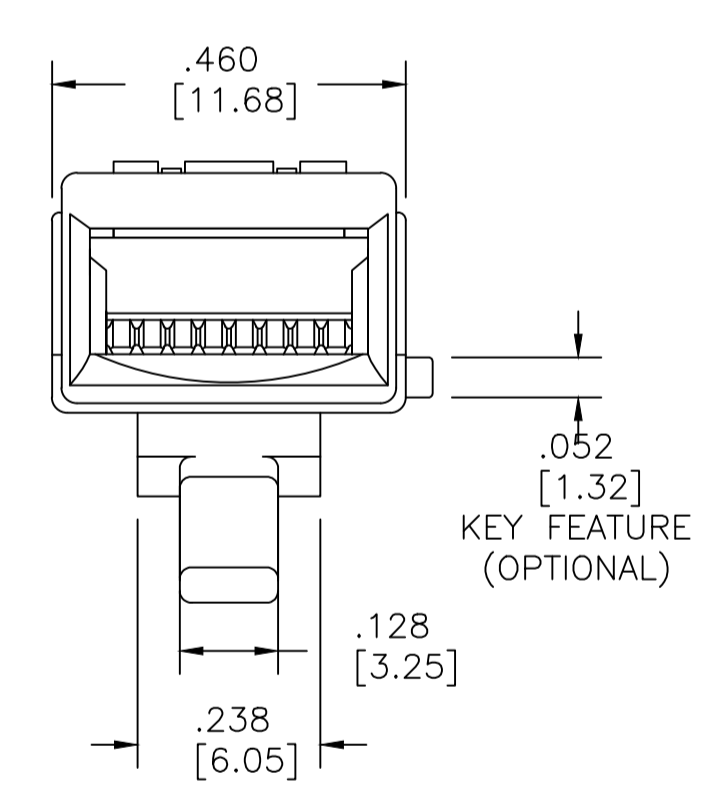
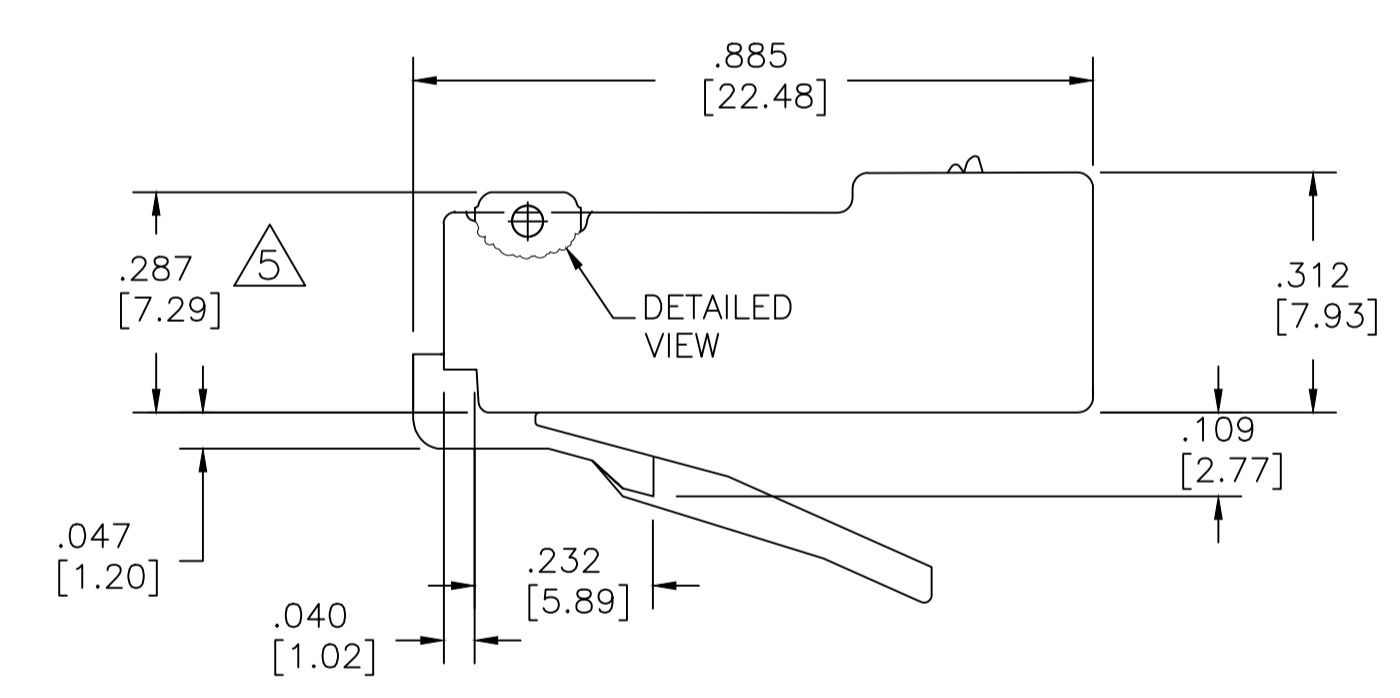
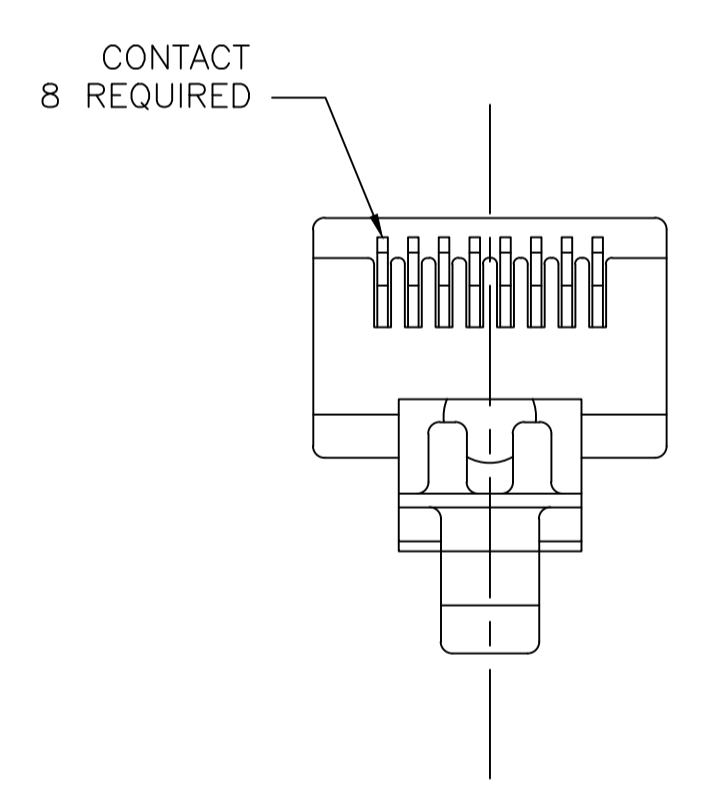
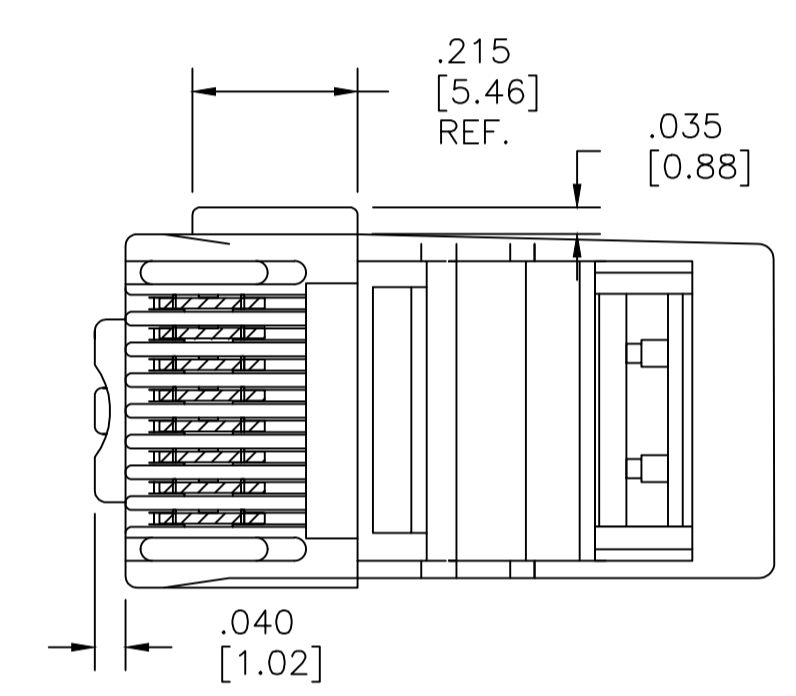
U=UNSHIELDED  
S=SHIELDED

CABLE TYPE  
R=ROUND  
F=FLAT OVAL

INSULATION DIAMETER  
S=SMALL CONDUCTOR

PACKAGE SIZE  
5 = 500  
1 = 100

1. DIMENSIONS ARE NOMINAL UNLESS OTHERWISE SPECIFIED.
2. MATERIAL: HOUSING- POLYCARBONATE, CLEAR  
TERMINAL- .305 [.012] THICK PHOSPHOR BRONZE PLATED WITH 1.27μm [.00005] MINIMUM THICK GOLD IN LOCALIZED PLATE AREA OVER 2.54μm [.000100] MINIMUM THICK NICKEL UNDERPLATE.  
  
SHIELD, OPTIONAL- COPPER ALLOY WITH 1.27μm [.000050] MINIMUM SEMI-BRIGHT (SATIN) NICKEL.
3. NON-SMALL CONDUCTOR PLUGS WILL ACCEPT 24 TO 26 AWG SOLID OR STRANDED CONDUCTORS WITH A SINGLE INSULATION DIAMETER OF 0.86-0.99[.034-.039]. SMALL CONDUCTOR PLUGS WILL ACCEPT 26 TO 28 AWG SOLID OR STRANDED WIRE WITH A SINGLE INSULATION DIAMETER OF 0.74-0.86[.029-.034].
4. MODULAR PLUGS FOR ROUND CABLES WILL ACCEPT CABLES WITH A MAXIMUM DIAMETER JACKET OF 5.08[.20]. MODULAR PLUGS FOR FLAT OVAL CABLES WILL ACCEPT CABLES WITH A MAXIMUM OVAL CABLE JACKET OF 2.54 X 8.89 [.100 X .350]
5. TERMINATED DIMENSION 5.89 [.232] - 6.15 [.242].
6. UL RECOGNIZED FILE NUMBER E81956.



### UNSHIELDED MOD PLUG 8 POSITION

PRODUCTS WILL LOOK SIMILAR TO THIS VIEW

100	6-557961-3	MP-88U-RS-1
500	6-557961-2	MP-88U-RS-5
100	6-557972-3	MP-88U-FS-1
500	6-557972-2	MP-88U-FS-5
100	6-554720-3	MP-88U-F-1
500	6-554720-2	MP-88U-F-5
100	6-557315-3	MP-88U-R-1
500	6-557315-2	MP-88U-R-5
PACKAGE	MATERIAL	CATALOG NUMBER
UNSHIELDED CATALOG NUMBER VERSIONS		

THIS DRAWING IS A CONTROLLED DOCUMENT.

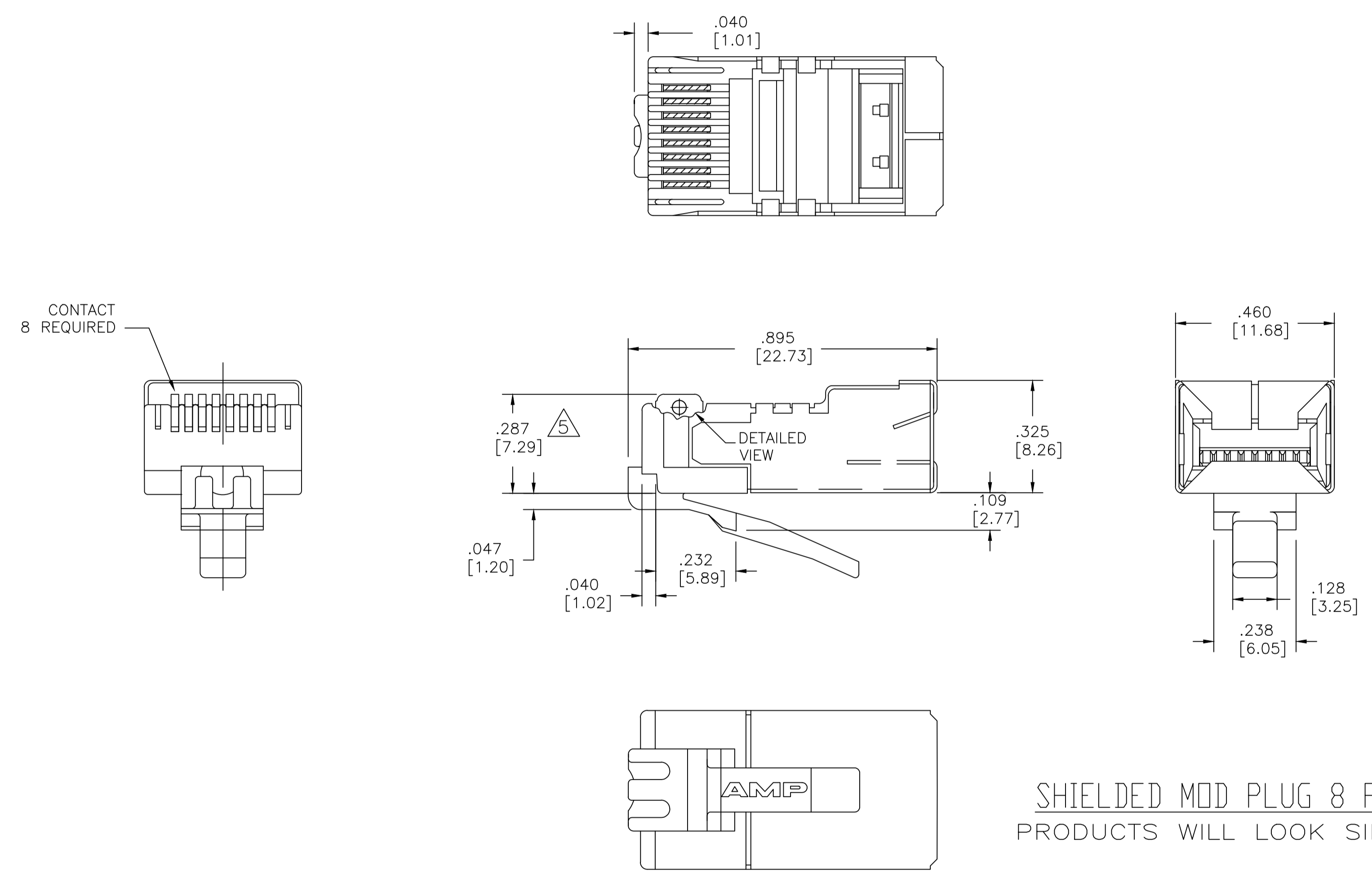
<p>DIMENSIONS:</p> <p>INCHES [mm]</p>	<p>TOLERANCES UNLESS OTHERWISE SPECIFIED:</p> <p>0 PLC ± -</p> <p>1 PLC ± -</p> <p>2 PLC ± -</p> <p>3 PLC ± .005</p> <p>4 PLC ± -</p> <p>ANGLES ± -</p> <p>FINISH</p>	<p>DRW: G. GARRETT 09JUN2015</p> <p>CHK: J. GENIAC 09JUN2015</p> <p>APPV: J. GENIAC 09JUN2015</p> <p>NAME: KIT, MOD PLUG, 8 POSITION, 8 CONTACTS</p> <p>PRODUCT SPEC: 108-1163</p> <p>APPLICATION SPEC: 114-6016</p> <p>WEIGHT: -</p> <p>CUSTOMER DRAWING</p>	<p>STC TE Connectivity</p> <p>SIZE: A1</p> <p>CAGE CODE: 00779</p> <p>DRAWING NO: 2843005</p> <p>RESTRICTED TO: -</p> <p>SCALE: 4:1</p> <p>SHEET: 1 OF 2</p> <p>REV: B</p>
---------------------------------------	---	---	--

THIS DRAWING IS UNPUBLISHED. RELEASED FOR PUBLICATION  
 © COPYRIGHT - By - ALL RIGHTS RESERVED.

LOC		DIST		REVISIONS			
P	LTR	DESCRIPTION	DATE	DWN	APVD		
HM	00	SEE SHEET 1					

# MP-88

- U=UNSHIELDED  
S=SHIELDED
- CABLE TYPE  
R=ROUND  
F=FLAT OVAL
- INSULATION DIAMETER  
S=SMALL CONDUCTOR
- PACKAGE SIZE  
5 = 500  
1 = 100



SHIELDED MOD PLUG 8 POSITION  
 PRODUCTS WILL LOOK SIMILAR TO THIS VIEW

100	6-569542-3	MP-88S-F-1
500	6-569542-2	MP-88S-F-5
100	6-569530-3	MP-88S-R-1
500	6-569530-2	MP-88S-R-5
PACKAGE	MATERIAL	CATALOG NUMBER

SHIELDED CATALOG NUMBER VERSIONS

THIS DRAWING IS A CONTROLLED DOCUMENT.

DIMENSIONS: INCHES [mm]	TOLERANCES UNLESS OTHERWISE SPECIFIED: 0 PLC ± - 1 PLC ± - 2 PLC ± - 3 PLC ± .005 4 PLC ± - ANGLES ± - FINISH	DWN: G. GARRETT 09JUN2015 CHK: J. GENIAC 09JUN2015 APVD: J. GENIAC 09JUN2015 NAME: KIT, MOD PLUG, 8 POSITION, 8 CONTACTS PRODUCT SPEC: 108-1163 APPLICATION SPEC: 114-6016 WEIGHT: - CUSTOMER DRAWING	SIZE: A1 CAGE CODE: 00779 DRAWING NO: C=2843005 SCALE: 4:1 SHEET: 2 OF 2 REV: B
----------------------------	--	--	--

STE TE Connectivity