



Downlight Covers - For Industrial Buildings

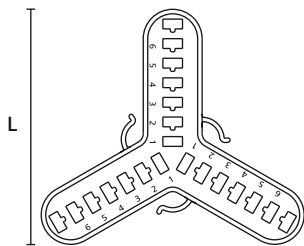
SpotClip-Kit

SpotClip-Kit has been designed for use primarily in industrial and office buildings for downlights with larger dimensions. The packaging kit consists of three legs and a mounting plate. The legs are available in two different lengths (150 mm and 240 mm). SpotClip-Kit has six selectable fixing positions in the mounting plate, making it suitable for downlights of differing dimensions. SpotClip-Kit 150 is suitable for downlights with a diameter from 100 mm up to 270 mm and with a maximum height of 140 mm. SpotClip-Kit 240 is suitable for downlights with a diameter from 170 mm up to 310 mm and with a maximum height of 230 mm. SpotClip-Kit can be combined with SpotClip-Plate.



SpotClip-Kit 150 used in a suspended ceiling.

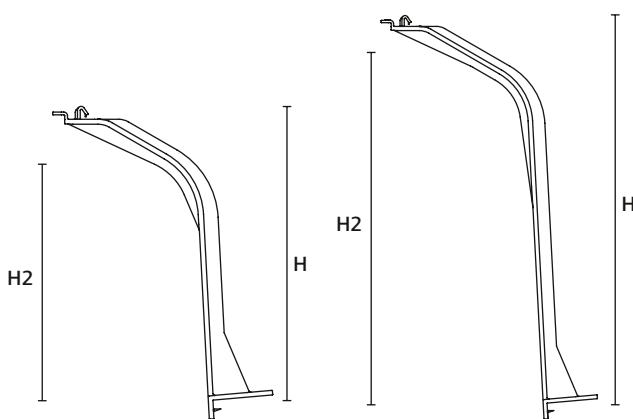
MATERIAL	Polyamide 6.6, heat stabilised (PA66HS)
Operating Temperature	-40 °C to +105 °C
Flammability	UL94 V2, Self extinguishing, Glow Wire Test (GWT) 960°C



SpotClip-Kit mounting plate



SpotClip-Kit 240 applied with a fixed sheet of insulating material.



SpotClip-Kit 150 leg

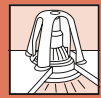
SpotClip-Kit 240 leg



SpotClip-Kit downlight cover is available in two sizes.

TYPE	Hole Ø (FH) min.	Hole Ø (FH) max.	Height (H)	Height (H2)	Length (L)	Colour	Pack Cont.	Article-No.
SpotClip-Kit 150	100.0	270.0	157.0	140.0	120.0	Black (BK)	1 pc.	148-00119
SpotClip-Kit 240	170.0	310.0	247.0	230.0	120.0	Black (BK)	1 pc.	148-00120

All dimensions in mm. Subject to technical changes.
Minimum Order Quantity (MOQ) may differ from package content.



Downlight Covers - For Industrial Buildings

SpotClip-Kit

Features and Benefits

- Installation from the top or bottom in all types of suspended ceilings
- Ensures safety distance between downlight, damp-proof foil and insulation material
- Flexible installation during or after construction, suitable for use in existing and new buildings
- Additional spikes at the end of the legs prevents shifting during installation
- Intelligent cable routing with eyelet at the top
- Prevents damage to insulation material caused by overheating
- Heavy-duty leg design prevents long-term deformation
- Improves life span and reliability of the lamp
- Tested according to EN 60598-1, EN 60598-2-2, and NF C 15100

SpotClip-Kit 150

Slot	Fixing hole diameter Ø min. – Ø max.
1	100–170
2	120–190
3	140–210
4	160–230
5	180–250
6	200–270

All dimensions in mm. Subject to technical changes.

SpotClip-Kit 240

Slot	Fixing hole diameter Ø min. – Ø max.
1	170–210
2	190–230
3	210–250
4	230–270
5	250–290
6	270–310

All dimensions in mm. Subject to technical changes.



SpotClip-Kit 150 is used for fixing hole diameters from 100 mm to 270 mm.



SpotClip-Kit 240 is used for fixing hole diameters from 170 mm to 310 mm.



The feet position can be very easily adjusted using the click and release system.



A robust design combined with retaining spikes ensures high stability.



SpotClip-Kit 150 is delivered as a self-assembly set.



SpotClip-Kit 240 is delivered as a self-assembly set.



1. Squeeze the legs and insert the SpotClip-Kit through the fixing hole.



2. Press the retaining spikes into the plasterboard to secure the legs.



3. Install the downlight according to the manufacturer's user manual.



4. Connect the downlight to the power supply and fix the cable into the routing eyelet.