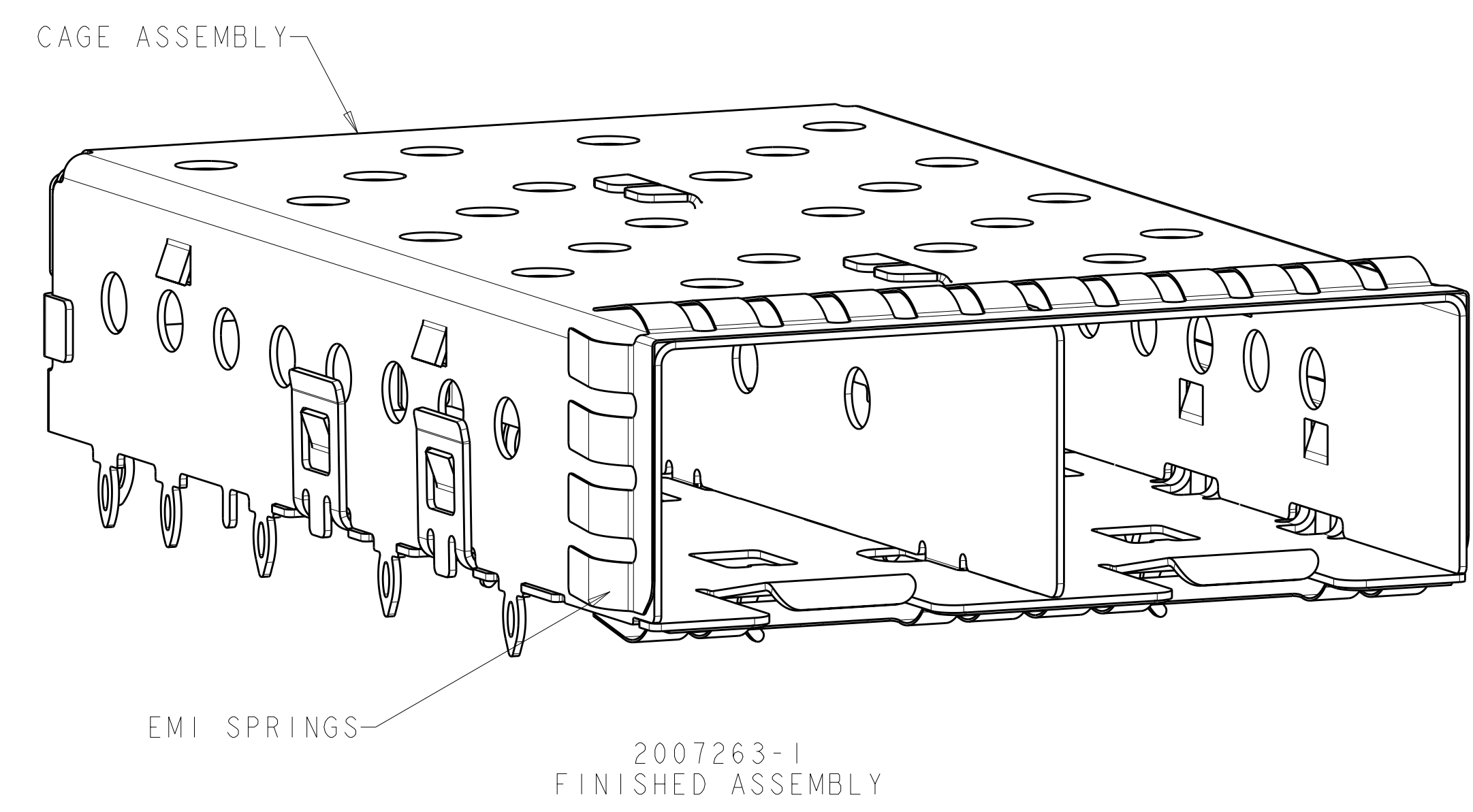
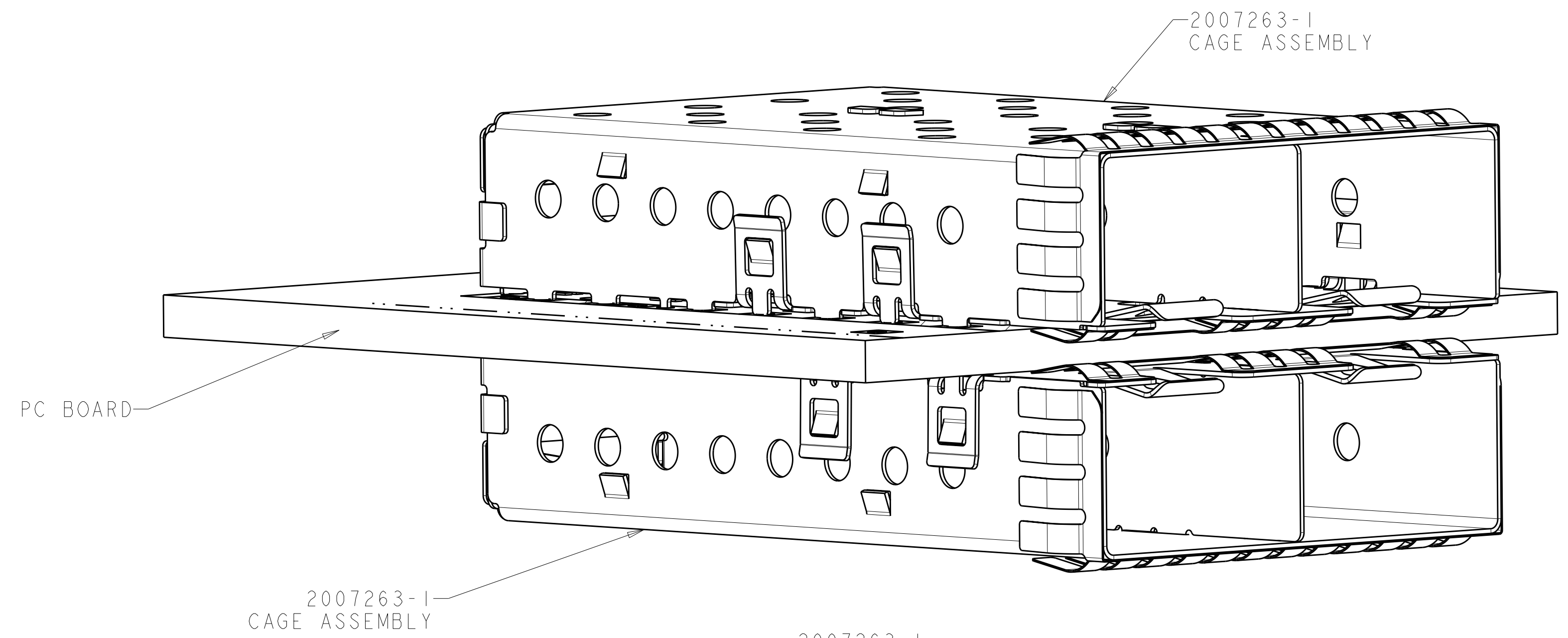
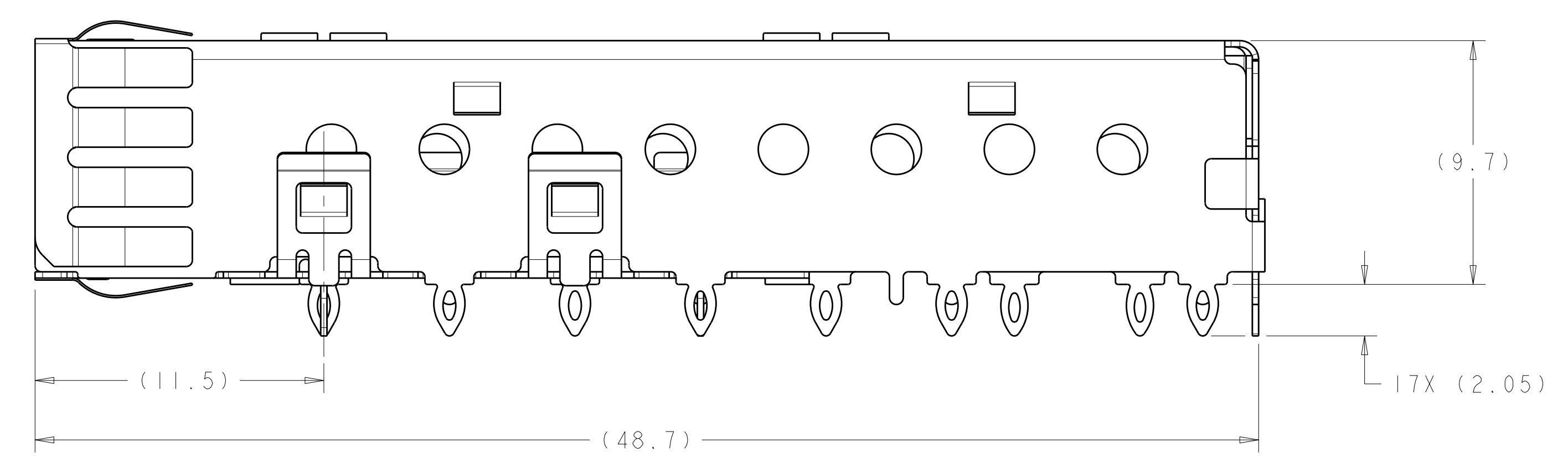
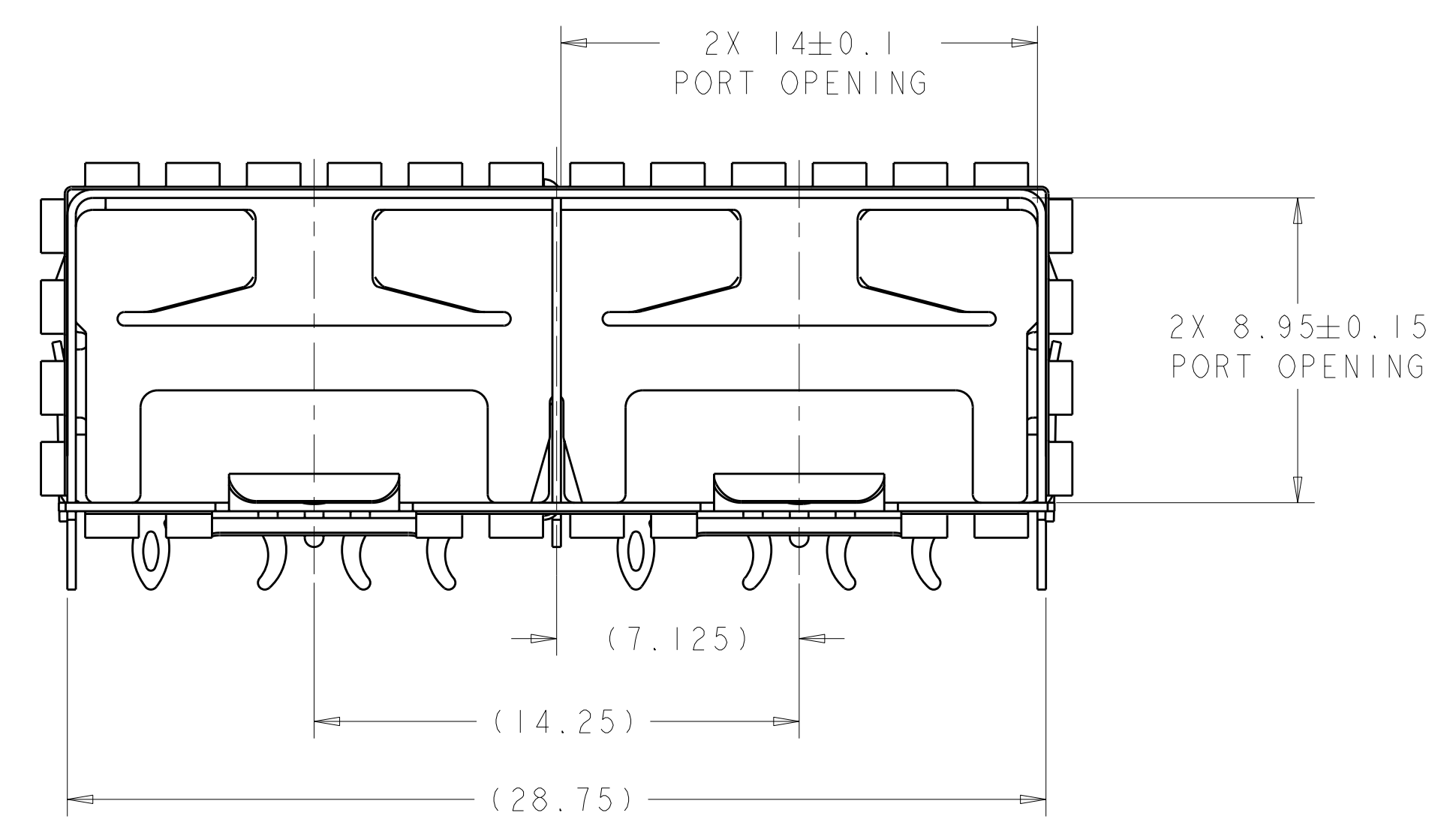


LOC	DIST	REVISIONS			
GP	00	REV	DATE	BY	CHK
		B1	11MAR2011	RK	HMR



- 1. MATERIAL: CAGE ASSEMBLY: 0.25mm THICK NICKEL SILVER ALLOY  
EMI SPRINGS: COPPER ALLOY
- 2. FINISH:  
SPRINGS - MINIMUM OF 0.8um MATTE TIN PLATED OVER A MINIMUM OF 0.8um NICKEL UNDERPLATE.  
NON-PLATED EDGES PERMISSIBLE.
- 3. MATES WITH SFP MSA COMPLIANT TRANSCEIVERS.
- 4. PADS AND VIAS CHASSIS GROUND.
- 5. INTERPRETATION OF DATUM REFERENCE FRAME IN ACCORDANCE WITH SECT 4.4.1.1 OF ASME Y14.5M-1994.
- 6. MINIMUM PC BOARD THICKNESS:  
SINGLE SIDED = 1.50  
DOUBLE SIDED = 2.25
- 7. HOLE PATTERN REPEATS FOR EACH PORT, SPACING BETWEEN PORTS IS 14.25mm.
- 8. DATUM AND BASIC DIMENSION ESTABLISHED BY CUSTOMER.
- 9. REFERENCE APPLICATION SPEC. 114-13120, HOLE A, FOR RECOMMENDED DRILL HOLE DIAMETER AND PLATING THICKNESS.
- 10. REFERENCE APPLICATION SPEC. 114-13120, HOLE B, FOR RECOMMENDED DRILL HOLE DIAMETER AND PLATING THICKNESS.
- 11. CERTAIN MATING TRANSCEIVERS MAY REQUIRE ADDITIONAL PCB THICKNESS THAT WOULD NEED TO BE DETERMINED BY THE CUSTOMER.
- 12. PRODUCT COMPLIES WITH SPECIFICATION SFF-8433 IMPROVED PLUGGABLE FORM FACTOR FOR SFP+ GANGED CAGES.



2007263-1 MOUNTED BELLY TO BELLY ON PC BOARD SCALE 5:1

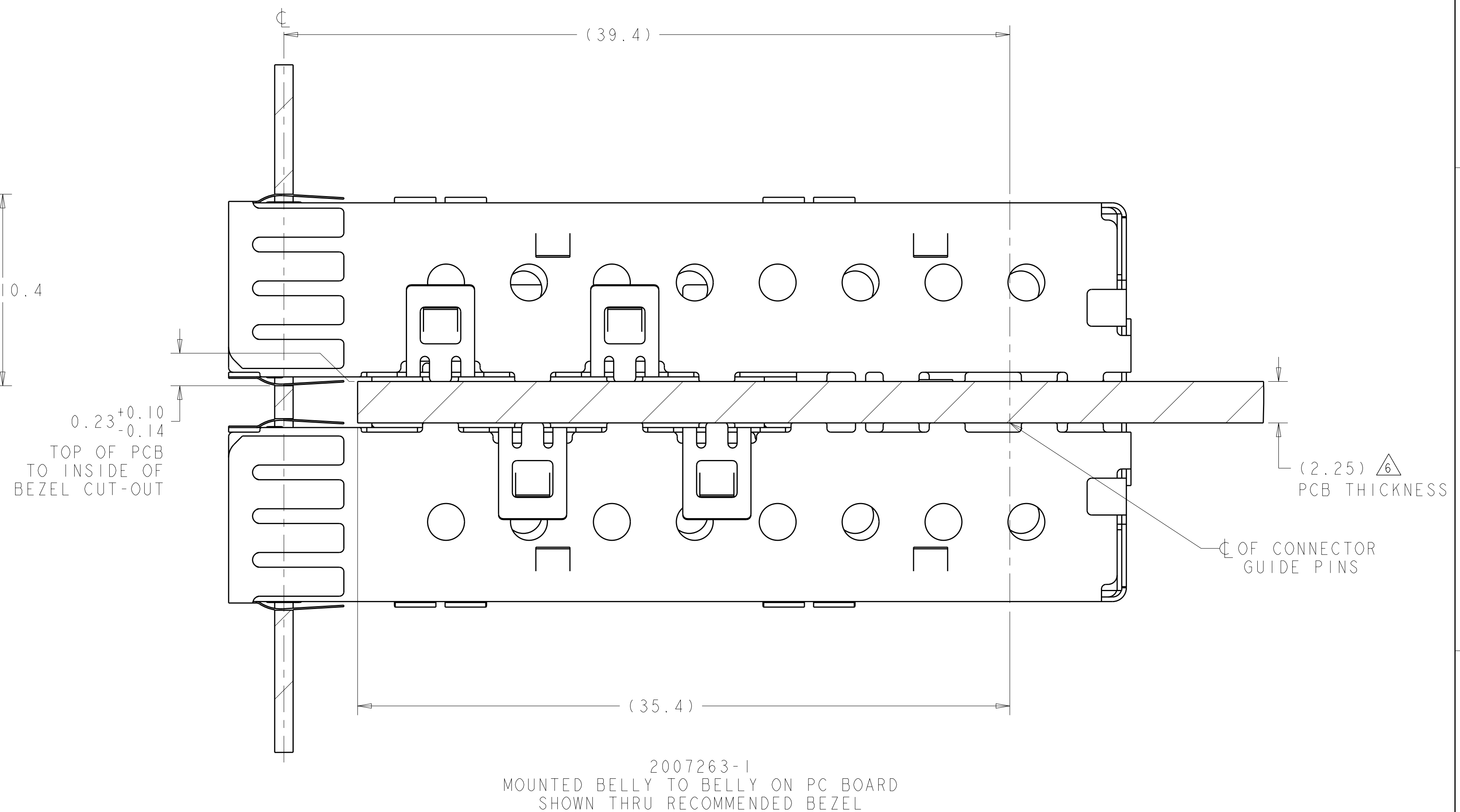
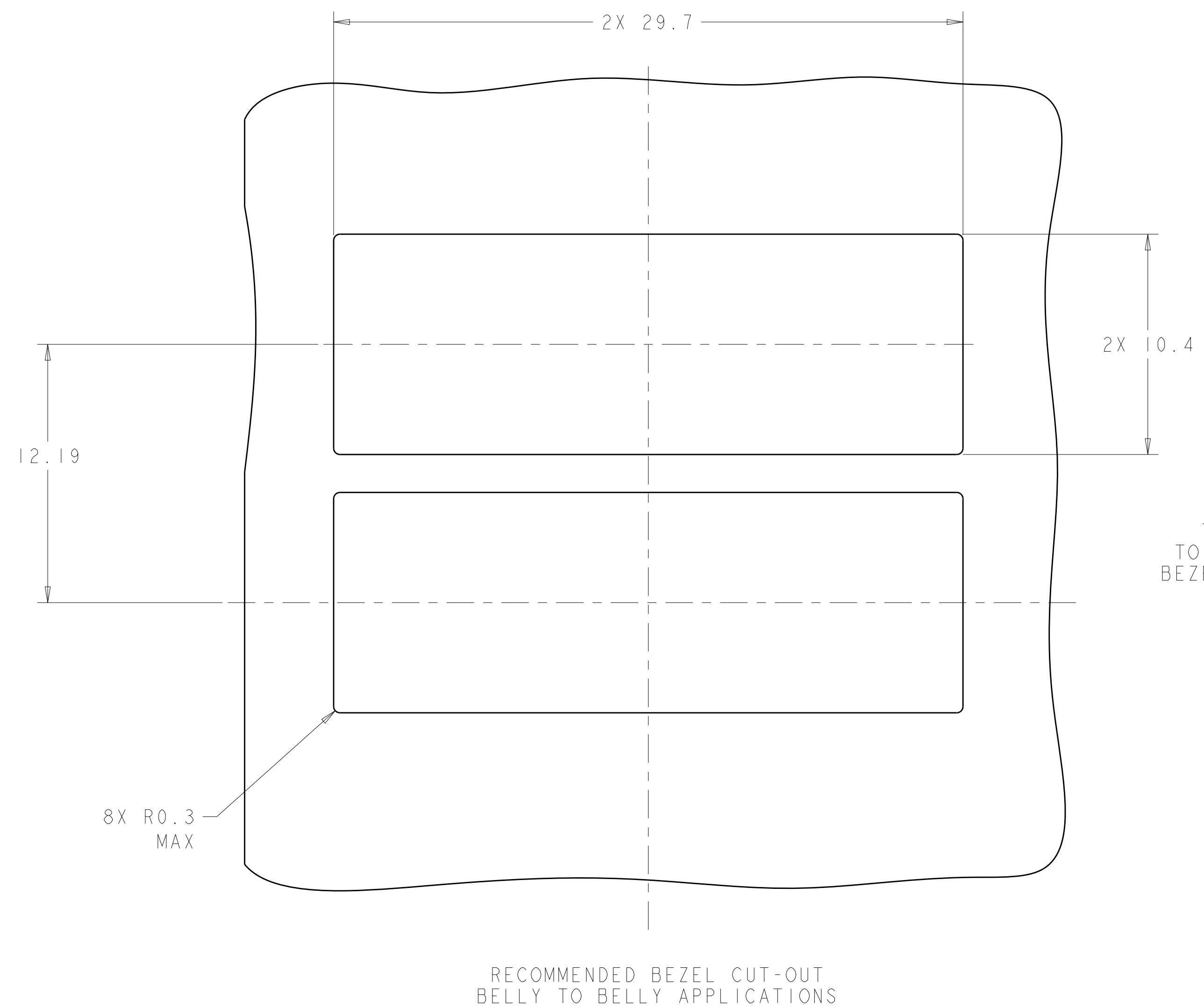
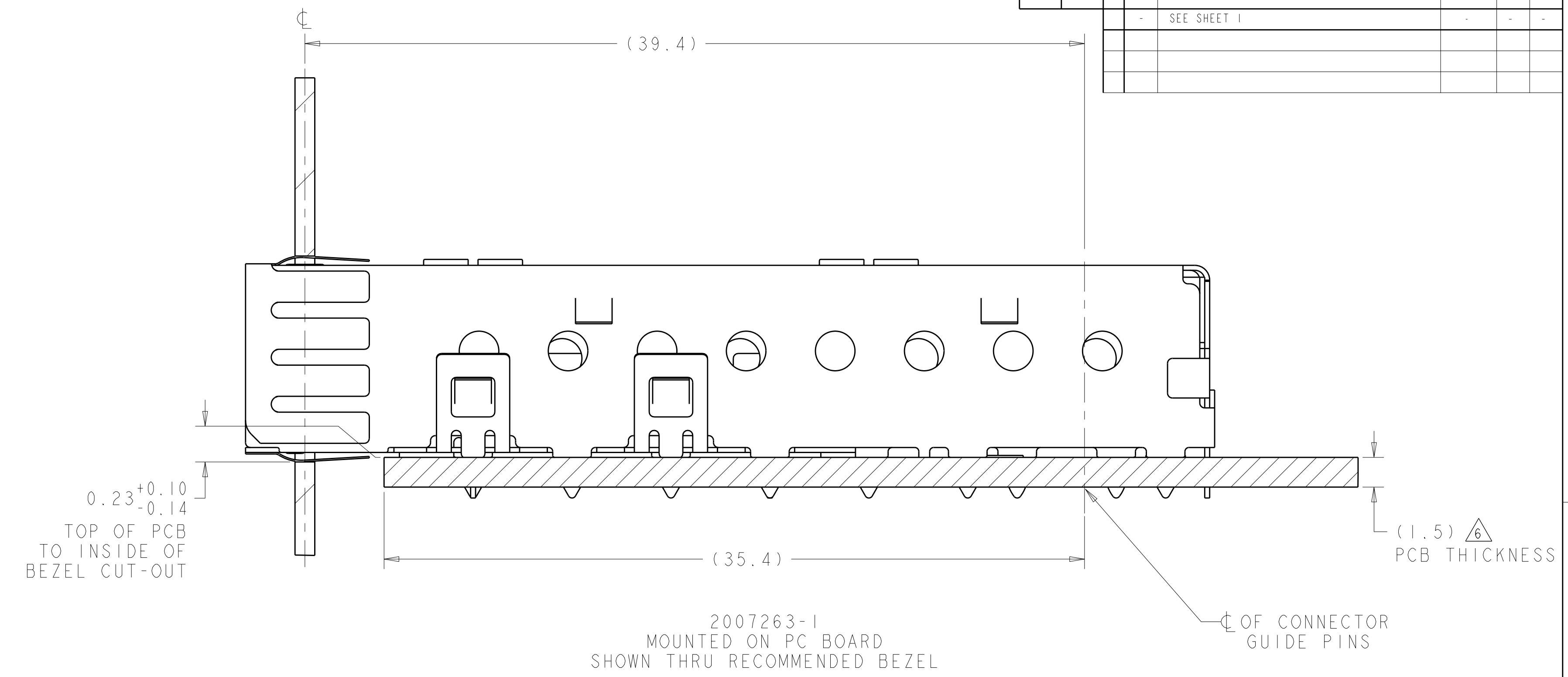
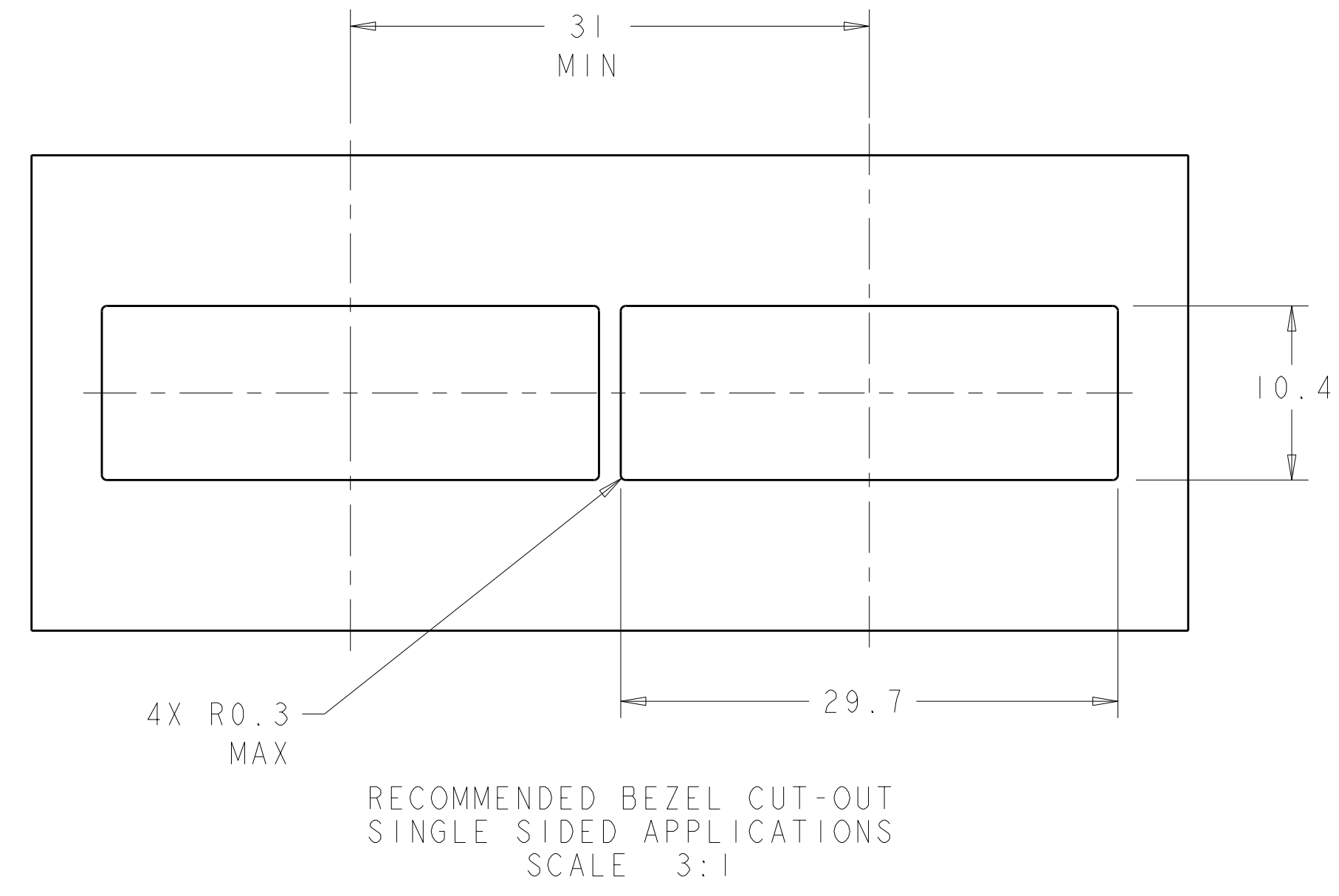
2007263-1  
PART NUMBER

THIS DRAWING IS A CONTROLLED DOCUMENT.		DWN M. SCHMITT 17JUL2007	TE Connectivity
DIMENSIONS: mm		CHK M. SCHMITT 17JUL2007	
TOLERANCES UNLESS OTHERWISE SPECIFIED:		APVD B. WERTZ 17JUL2007	NAME SFP+ 1X2 CAGE ASSEMBLY PRESS FIT, EXTERNAL EMI SPRINGS
9 PLC ±0.1	2 PLC ±0.1	PRODUCT SPEC 108-2364	SIZE CAGE CODE DRAWING NO. RESTRICTED TO
5 PLC ±0.1	4 PLC ±0.1	APPLICATION SPEC 114-13120	A100779C=2007263
ANGLES ±0.1	FINISH ±1°	WEIGHT	CUSTOMER DRAWING SCALE 6:1 SHEET 1 OF 4 REV B1

LOC	DIST	REV	DATE	BY	APPD
GP	00				

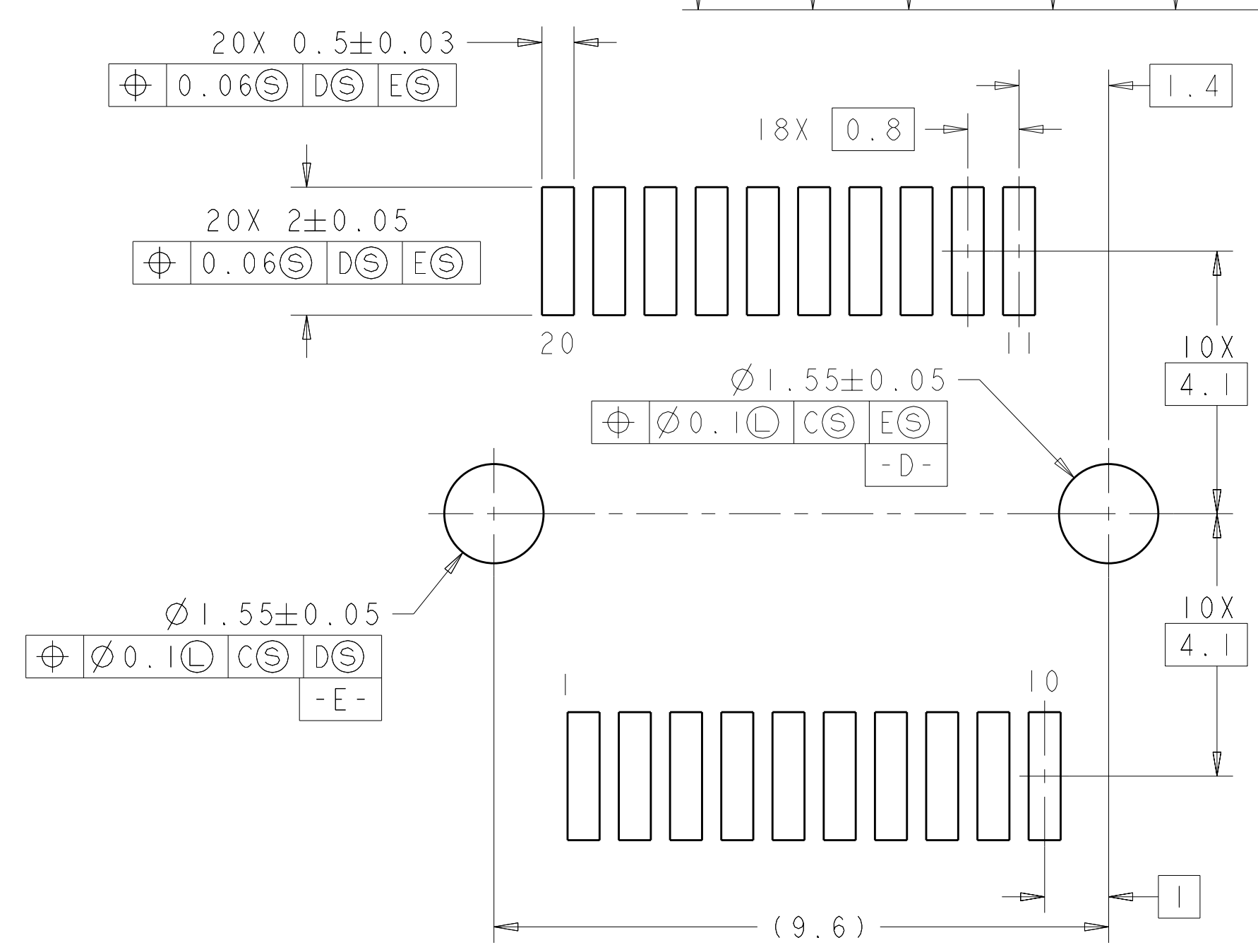
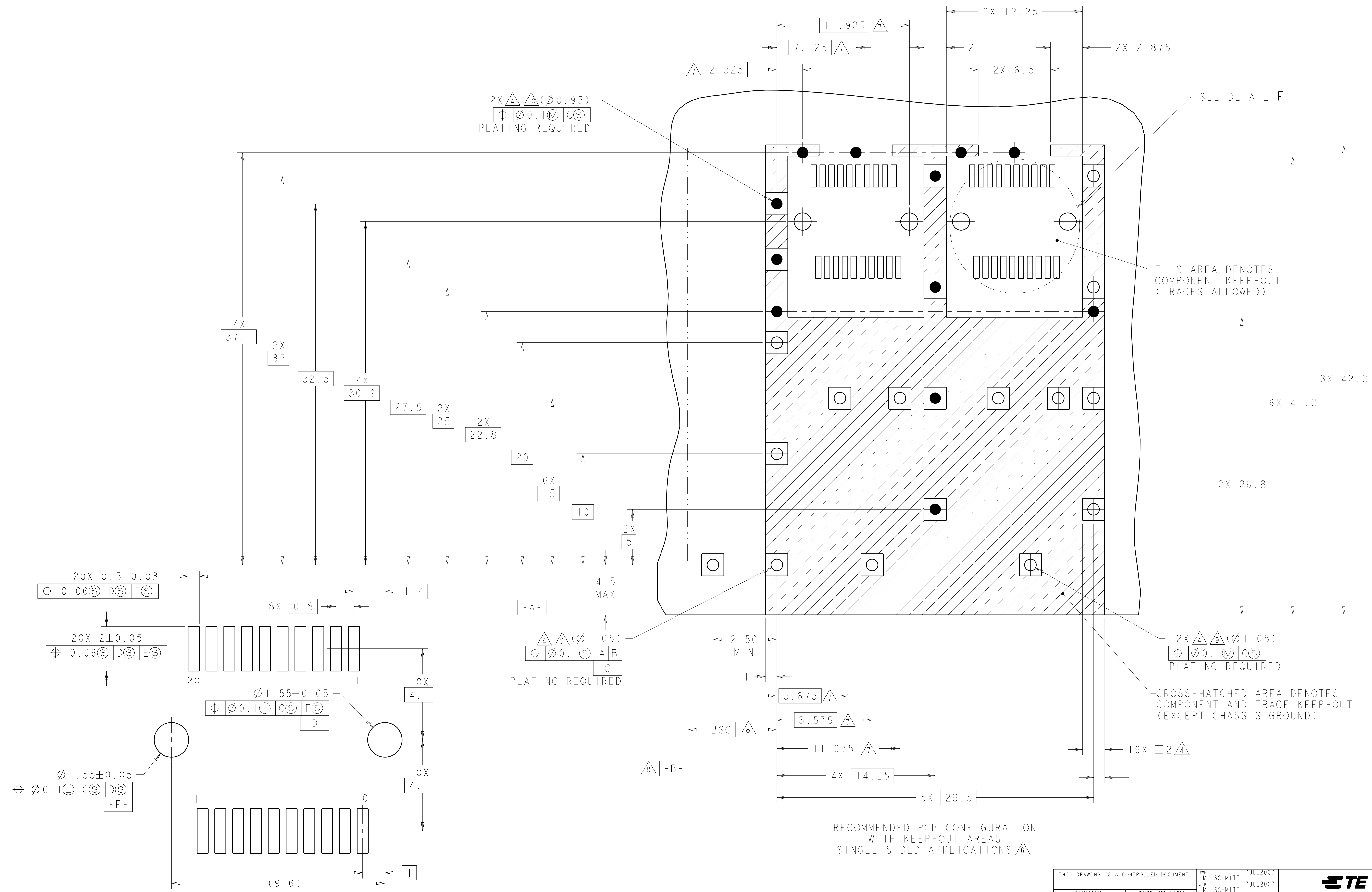
  

REVISIONS		DATE	BY	APPD
1	SEE SHEET 1			



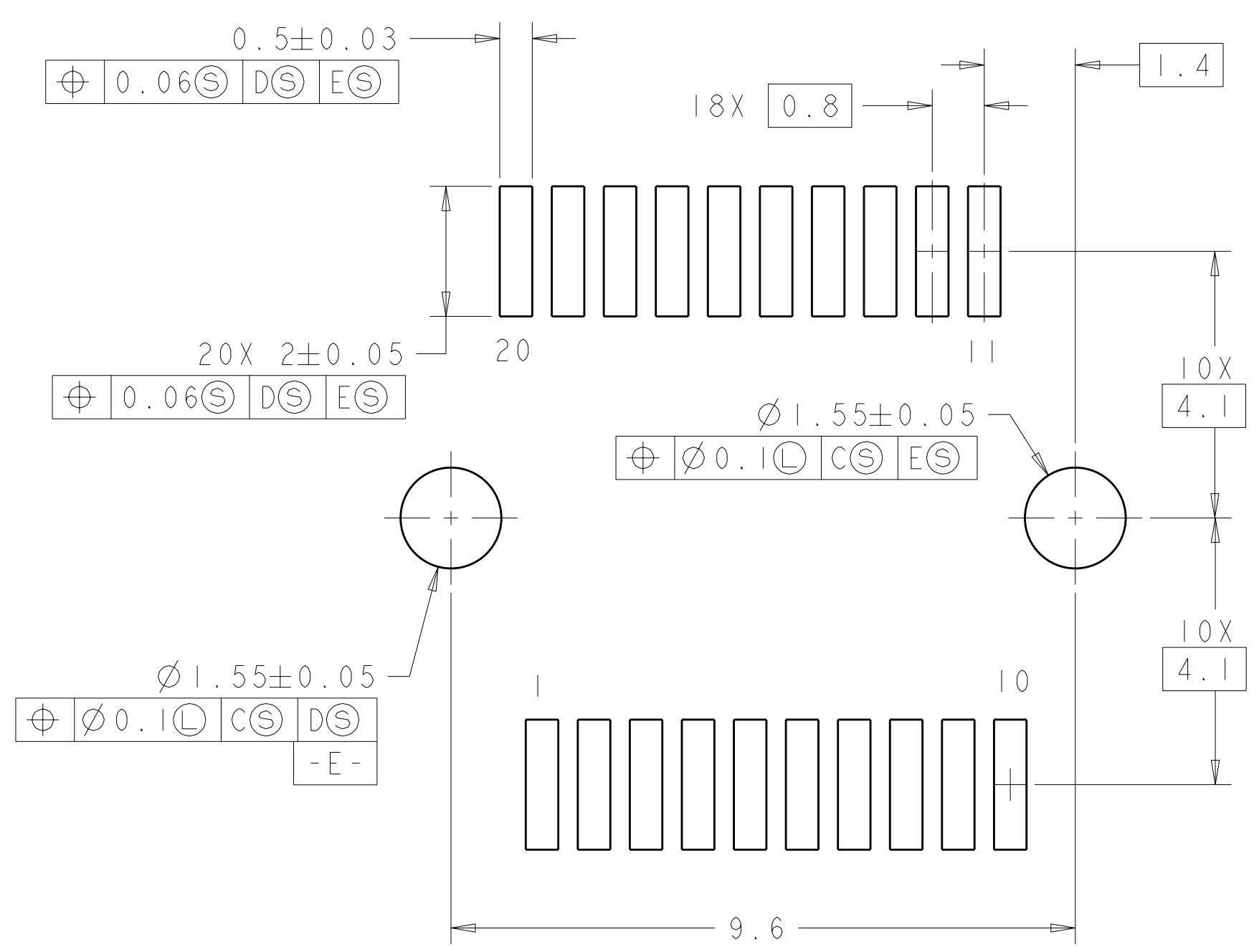
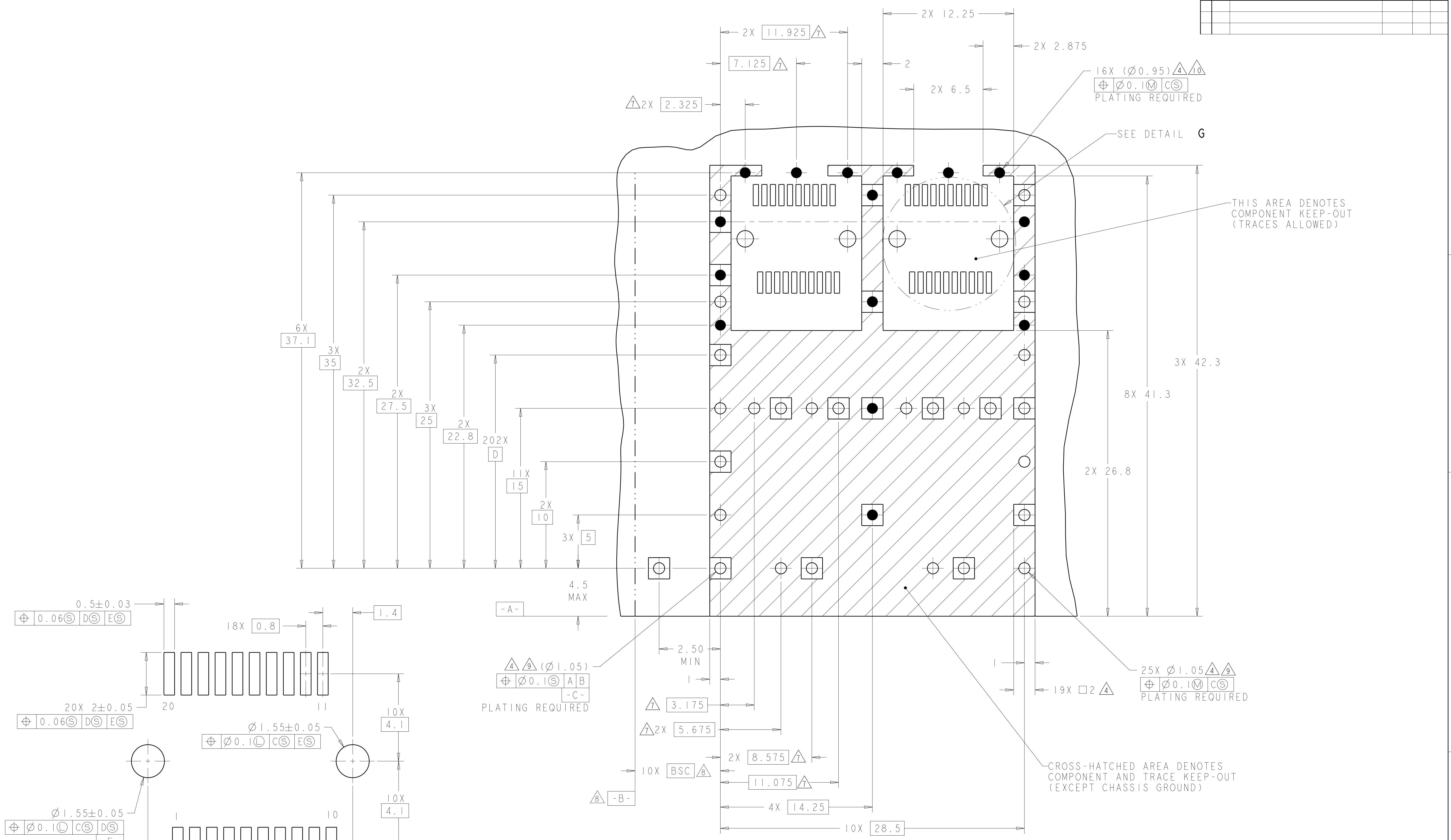
THIS DRAWING IS A CONTROLLED DOCUMENT.		DWN M. SCHMITT 17JUL2007	TE Connectivity
DIMENSIONS: mm		CHK M. SCHMITT 17JUL2007	
TOLERANCES UNLESS OTHERWISE SPECIFIED:		APVD B. WERTZ 17JUL2007	NAME SFP+ 1X2 CAGE ASSEMBLY PRESS FIT, EXTERNAL EMI SPRINGS
9 PLC ±0.1		PRODUCT SPEC	SIZE CAGE CODE DRAWING NO
2 PLC ±0.1		108-2364	RESTRICTED TO
3 PLC ±0.1		APPLICATION SPEC	A100779C=2007263
4 PLC ±0.1		114-13120	SCALE 6:1 SHEET 2 OF 4 REV B1
ANGLES ±0.1		WEIGHT	
FINISH ±1°		CUSTOMER DRAWING	

LOC	DIST	REV	DATE	BY	APPD
GP	00				
REVISIONS			DESCRIPTION	DATE	BY
			SEE SHEET 1		



THIS DRAWING IS A CONTROLLED DOCUMENT.		DWN M. SCHMITT	17JUL2007	TE Connectivity
DIMENSIONS:		CHK M. SCHMITT	17JUL2007	
TOLERANCES UNLESS OTHERWISE SPECIFIED:		APPD B. WERTZ	17JUL2007	NAME SFP+ 1X2 CAGE ASSEMBLY PRESS FIT, EXTERNAL EMI SPRINGS
mm	9 PLC $\pm 0.1$	PRODUCT SPEC		SIZE CAGE CODE DRAWING NO
	1 PLC $\pm 0.1$	108-2364		RESTRICTED TO
	3 PLC $\pm 0.1$	APPLICATION SPEC		
	5 PLC $\pm 0.1$	114-13120		
	4 PLC $\pm 0.1$	WEIGHT		
	ANGLES $\pm 1^\circ$	CUSTOMER DRAWING		
MATERIAL	FINISH	SCALE 6:1		SHEET 3 OF 4
		REV B1		

LOC	DIST	REV	DATE	BY	APPD
GP	00	1			
REVISIONS			DESCRIPTION	DATE	BY
			SEE SHEET 1		



DETAIL G  
 RECOMMENDED PT CONNECTOR LAYOUT  
 4X INDIVIDUALLY  
 SCALE 12:1

RECOMMENDED PCB CONFIGURATION  
 WITH KEEP-OUT AREAS  
 BELLY TO BELLY APPLICATIONS

THIS DRAWING IS A CONTROLLED DOCUMENT.		DWN: M. SCHMITT 17JUL2007	TE Connectivity
DIMENSIONS: mm		CHK: M. SCHMITT 17JUL2007	
TOLERANCES UNLESS OTHERWISE SPECIFIED:		APVD: B. WERTZ 17JUL2007	NAME: SFP+ 1X2 CAGE ASSEMBLY
9 PLC	±0.1	PRODUCT SPEC	108-2364
1 PLC	±0.1	APPLICATION SPEC	114-13120
5 PLC	±0.1	WEIGHT	A100779C=2007263
4 PLC	±0.1	CUSTOMER DRAWING	SCALE 6:1 SHEET 4 OF 4 REV B1
ANGLES	±1°		