



Product designation				Changeover Switch
Product type designation				GLC
Number of poles	Nr.			4
Operating voltage type				AC
Contact characteristics				
IEC Conventional free air thermal current I _{th}	A			500
Rated insulation voltage U _i IEC/EN	V			1000
Rated impulse withstand voltage U _{imp}	kV			12
Operating current I _e				
AC31B	400V	A	500	
	500V	A	500	
	690V	A	500	
AC32B	400V	A	500	
	500V	A	500	
	690V	A	500	
AC33B	400V	A	500	
	500V	A	500	
	690V	A	500	
Power dissipation per pole max	W			32.5
Rated operational power AC23A	400V	kW	250	
	690V	kW	500	
Rated short time current (1s) I _{cs} (rms)	kA			12.5
Rated short time current (0.3s) I _{cs} (rms)	kA			20
Conditional short-circuit current (rms)	kA			80
Short-circuit protection with fuse	Class/A			gG/500
Making capacity AC23A 400V	A			5000
Breaking capacity AC23A 400V	A			4000
Mechanical life	cycles			10000
Mechanical features				
Operating position	normal allowable	Vertical plan Any		
Fixing	Screw			
Terminals	type	M10 x 25		
Tightening torque for terminals	min	Nm	30	
	max	Nm	37	
	min	lbin	265	
	max	lbin	327	

Conductor section

IEC min	mm ²	1X182
IEC max	mm ²	2X185
AWG/kcmil min		1X400
AWG/kcmil max		2X350

Ambient conditions

Operating temperature

min	°C	-25
max	°C	+55

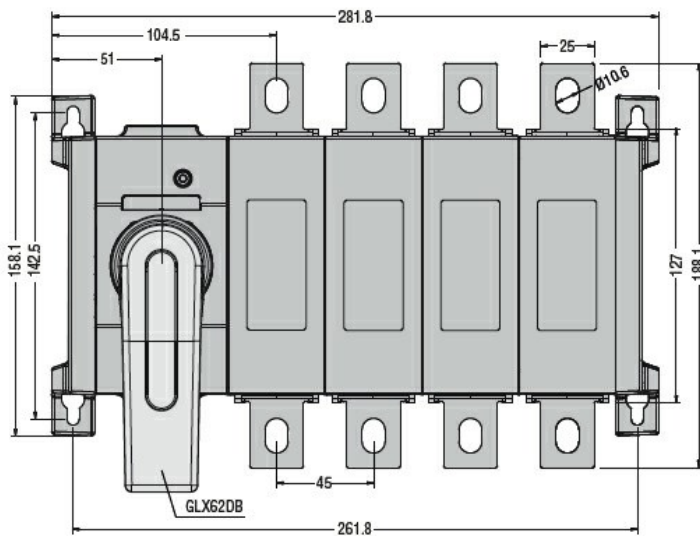
Storage temperature

min	°C	-40
max	°C	+70

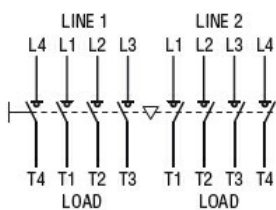
Max altitude

m	3000
---	------

Dimensions



Wiring diagrams



Certifications and compliance

Compliance

IEC/EN 60947-1
IEC/EN 60947-3
IEC/EN 60947-6-1

ETIM classification

ETIM 8.0

EC000216 -
Switch
disconnecter