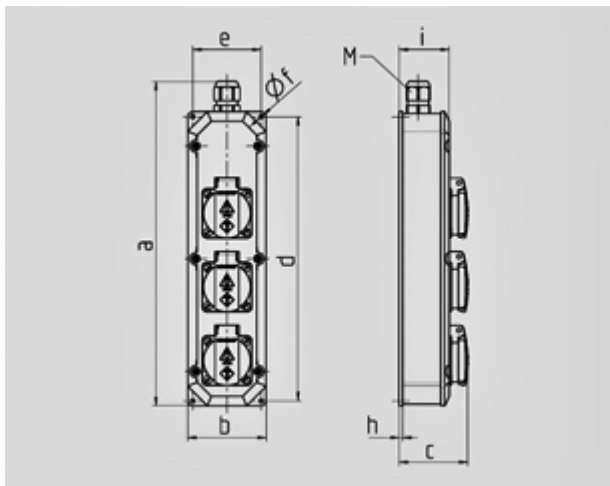


**Socket strip - Part no. 96700**


- pre-wired for installation
- enclosure electric grey RAL 7035
- enclosure and insert made of AMAPLAST

Protection type            IP 44  
 Fitted with                 3 SCHUKO® 16A, 230V  
 Connection/feeder cable for 1 cable up to 3 x 2.5 mm<sup>2</sup>  
 Enclosure size             330 x 80 mm (H x W)



**Drawing**  
**1 MB 284**

Dim. in mm	a	330
	b	80
	c	68
	d	290
	e	70
	f	4,3
	h	3,8
	i	51
	M	20