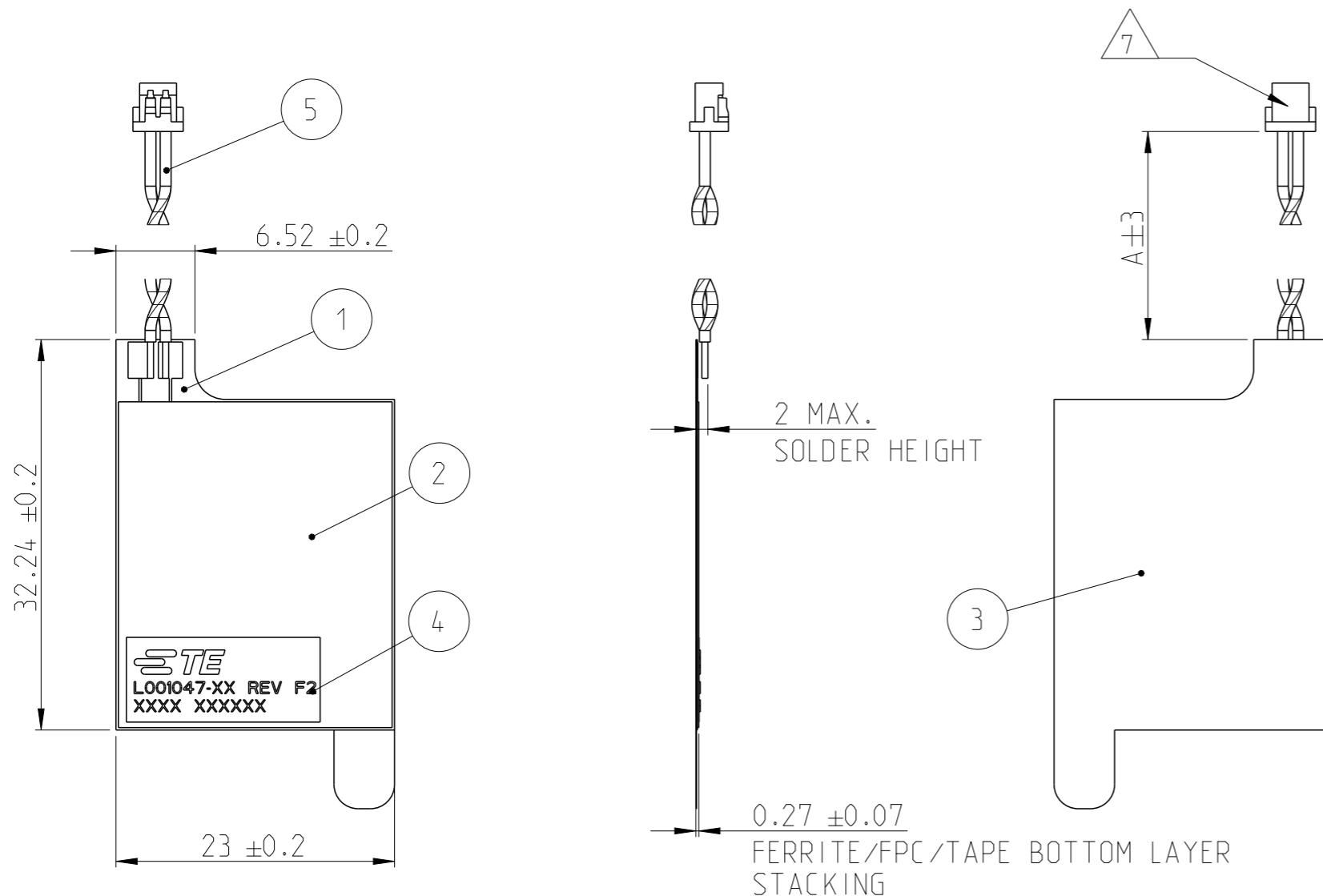


P	LTR	DESCRIPTION	DATE	DWN	APVD
1		NEW DRAWING	17FEB2025	DC	SJ
2		SEPERATED SHEET FOR CD	05MAR2025	DC	SJ
3		ADD PACKAGE DRAWING	02APR2025	DC	SJ
A		GTP ECN-25-318492	24APR2025	DC	SJ



NOTES: UNLESS OTHERWISE SPECIFIED.

- FABRICATE TO MEET IPC - 6013, CLASS 2. INSPECT TO MEET IPC - A - 600, CLASS 2.
- MATERIAL :SEE TABLE
- FINISH:
A: COVERLAY: BLACK PI & SOLDER MASK
- MEET ROHS REQUIREMENT
- GENERAL TOLERANCE 0.2mm
- CONSULT TO TE CONNECTIVITY DS- L001047

7. CONNECTOR (ON ANTENNA) : TE P/N 440146-2 1.25mm WTB SOCKET OR EQUIVALENT

8. COMPATIBLE PARTS MATES WITH :
TE P/N 2473229-2 / 1.25 WTB HDR SMT, 2 POS OR EQUIVALENT

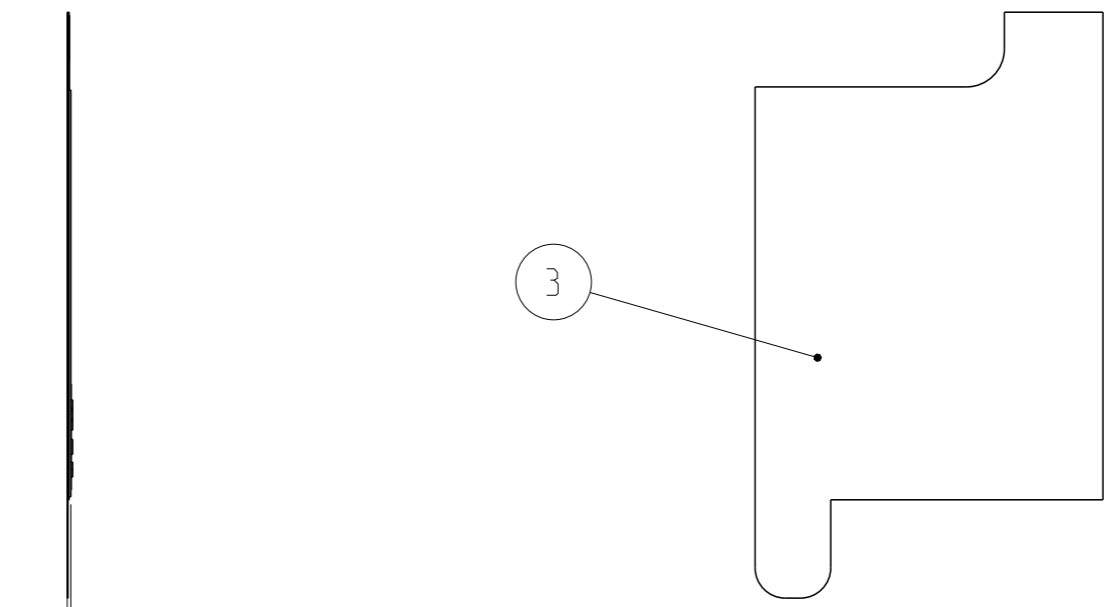
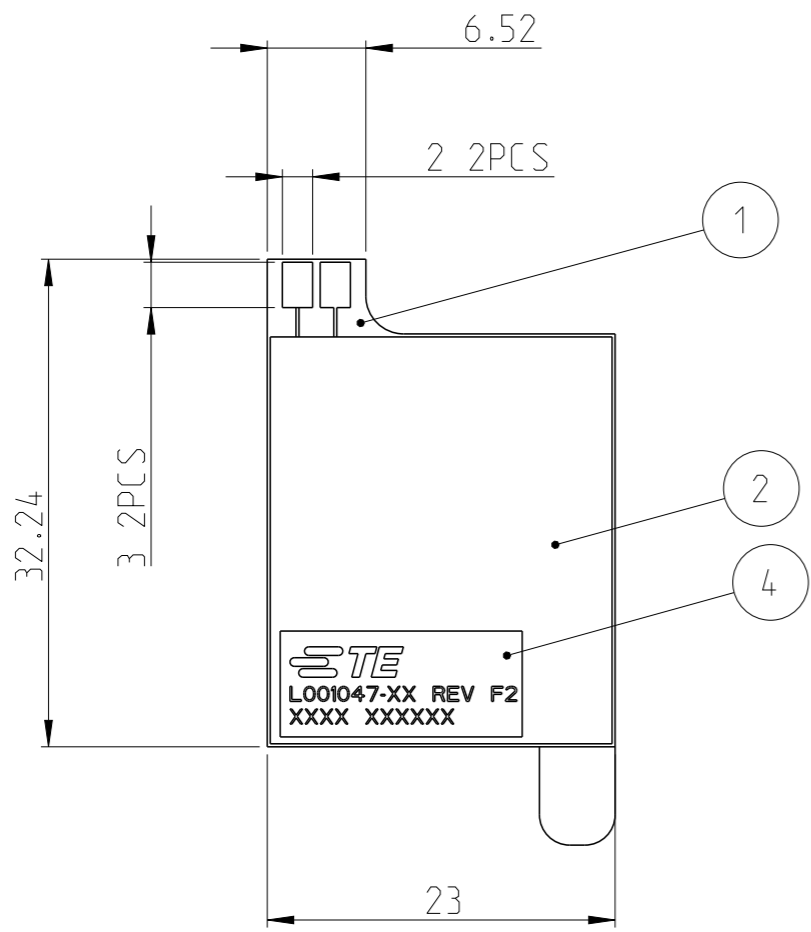
AS SHOWN L001047-02

TOP (Logo)	FERRITE
MIDDLE	FPC
BOTTOM	TAPE

N/A	0	N/A	0	N/A	I	TAPE	0	N/A	I	FPCB	L001047-03
I02	I	CABLE	I	LABEL	I	TAPE	I	FERRITE	I	FPCB	L001047-02
NA	0	N/A	I	LABEL	I	TAPE	I	FERRITE	I	FPCB	L001047-01
A	QTY	SPECS	QTY	SPECS	QTY	SPECS	QTY	SPECS	QTY	SPCES	
length	5	28AWG PAIR TWISTCABLE ASSY	4	LABEL	3	DOUBLE SIDE TAPE	2	FERRITE	1	NFC ANT	PART NUMBER

THIS DRAWING IS A CONTROLLED DOCUMENT.		DWN DC HSIANG 04DEC2024	TE Connectivity	
DIMENSIONS: mm		CHK SJ NOH 04DEC2024		
TOLERANCES UNLESS OTHERWISE SPECIFIED:		APVD SJ NOH 04DEC2024	NAME NFC ANT, 13.56MHZ, FERRITE, WTB	
0 PLC ± 1 PLC ± 2 PLC ±0.2 3 PLC ± 4 PLC ± ANGLES ±		PRODUCT SPEC -	RESTRICTED TO -	
MATERIAL TBD		APPLICATION SPEC -	SIZE A3	CAGE CODE 00779
FINISH -		WEIGHT -	DRAWING NO C=L001047	
finish_spec_2		CUSTOMER DRAWING	SCALE 2:1	SHEET 1 OF 4

P	LTR	DESCRIPTION	DATE	DWN	APVD
-	-	SEE SHEET 1	-	-	-



0.27 ±0.07
FERRITE /FPC/TAPE BOTTOM LAYER
STACKING

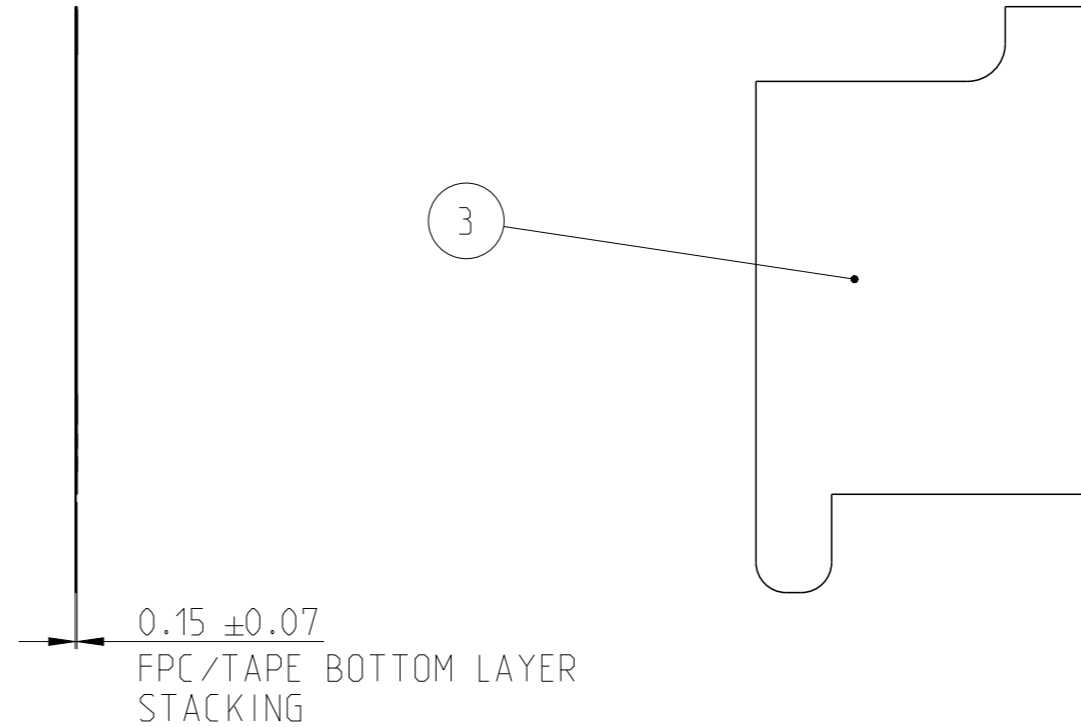
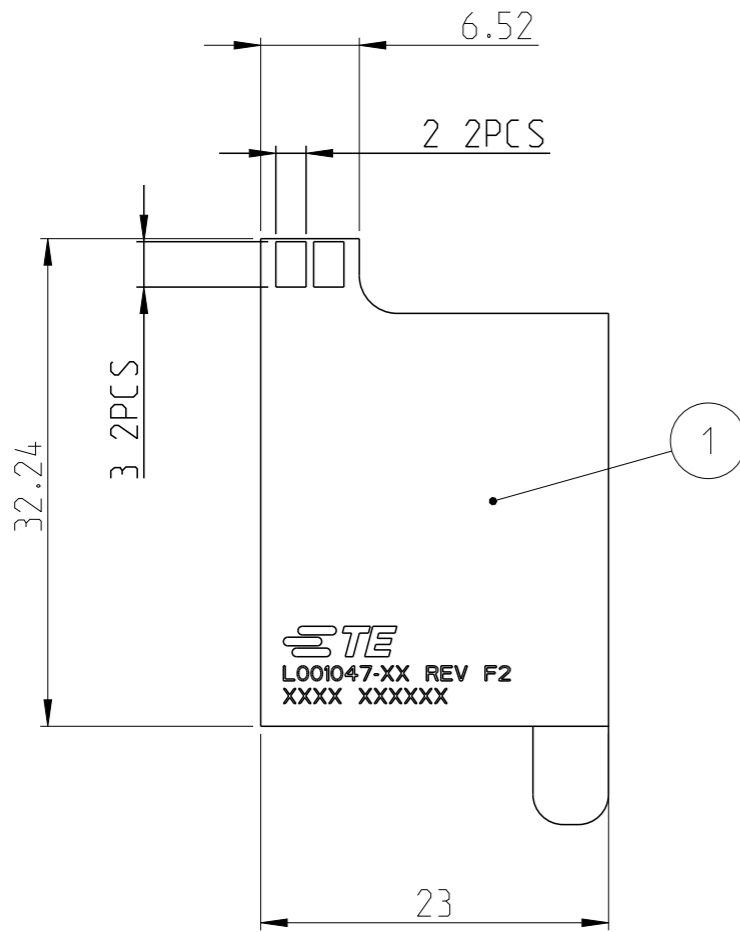
TOP (Logo)	FERRITE
MIDDLE	FPC
BOTTOM	TAPE

AS SHOWN L001047-01

NA	0	N/A	I	LABEL	I	TAPE	I	FERRITE	I	FPCB	L001047-01
A	QTY	SPECS	QTY	SPECS	QTY	SPECS	QTY	SPECS	QTY	SPCES	PART NUMBER
length	5	28AWG PAIR TWISTCABLE ASSY	4	LABEL	3	DOUBLE SIDE TAPE	2	FERRITE	1	NFC ANT	

THIS DRAWING IS A CONTROLLED DOCUMENT.		DWN DC HSIANG 04DEC2024	STE TE Connectivity												
DIMENSIONS: mm		CHK SJ NOH 04DEC2024													
TOLERANCES UNLESS OTHERWISE SPECIFIED:		APVD SJ NOH 04DEC2024	NAME NFC ANT, 13.56MHZ, FERRITE, WTB												
<table border="1"> <tr><td>0 PLC</td><td>±</td></tr> <tr><td>1 PLC</td><td>±</td></tr> <tr><td>2 PLC</td><td>±0.2</td></tr> <tr><td>3 PLC</td><td>±</td></tr> <tr><td>4 PLC</td><td>±</td></tr> <tr><td>ANGLES</td><td>±</td></tr> </table>		0 PLC	±	1 PLC	±	2 PLC	±0.2	3 PLC	±	4 PLC	±	ANGLES	±	PRODUCT SPEC -	SIZE A3
0 PLC	±														
1 PLC	±														
2 PLC	±0.2														
3 PLC	±														
4 PLC	±														
ANGLES	±														
MATERIAL TBD		APPLICATION SPEC -	CAGE CODE 00779												
FINISH finish_spec_2		WEIGHT -	DRAWING NO L001047												
		CUSTOMER DRAWING	RESTRICTED TO -												
		SCALE 2:1	SHEET 2 OF 4												
			REV A												

P	LTR	DESCRIPTION	DATE	DWN	APVD
-		SEE SHEET 1	-	-	-



TOP (Logo)	FPC
BOTTOM	TAPE

AS SHOWN L001047-03

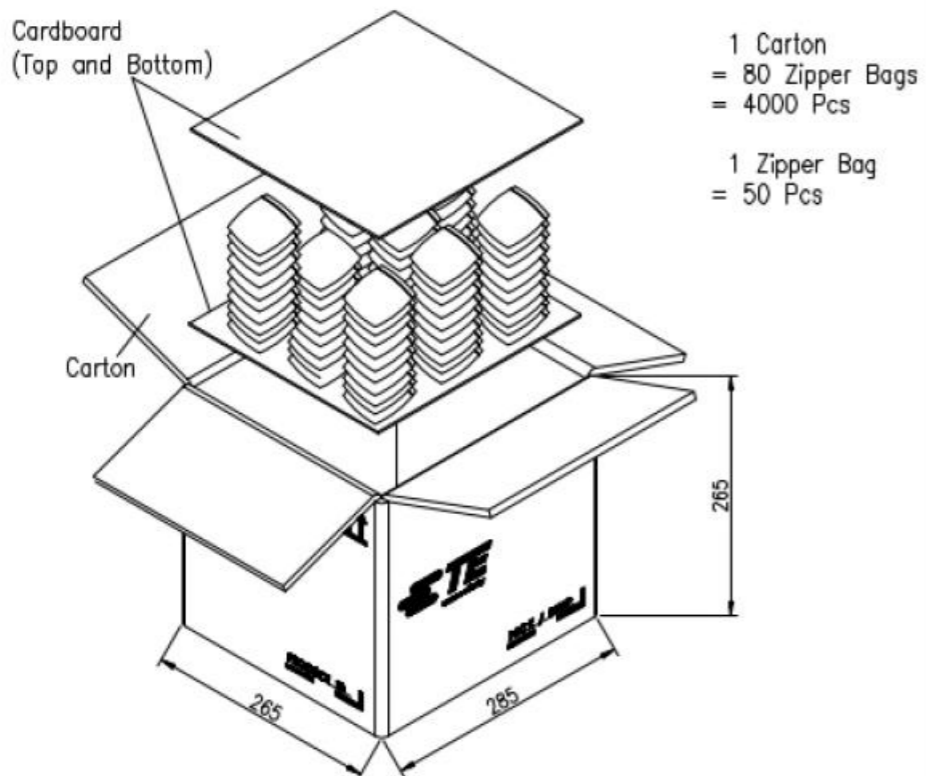
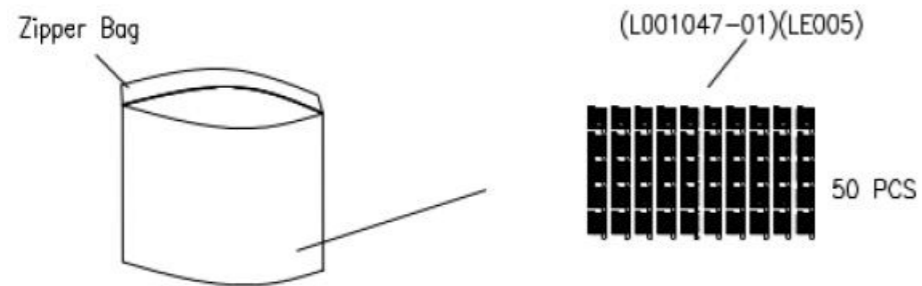
N/A	0	N/A	0	N/A	1	TAPE	0	N/A	1	FPCB	L001047-03
A	QTY	SPECS	QTY	SPECS	QTY	SPECS	QTY	SPECS	QTY	SPCES	PART NUMBER
length	5	28AWG PAIR TWISTCABLE ASSY	4	LABEL	3	DOUBLE SIDE TAPE	2	FERRITE	1	NFC ANT	

THIS DRAWING IS A CONTROLLED DOCUMENT.		DWN DC HSIANG 04DEC2024	TE Connectivity	
		CHK SJ NOH 04DEC2024		
DIMENSIONS: mm		APVD SJ NOH 04DEC2024	NAME NFC ANT, 13.56MHZ, FERRITE, WTB	
TOLERANCES UNLESS OTHERWISE SPECIFIED:		PRODUCT SPEC	-	
0 PLC ±- 1 PLC ±- 2 PLC ±0.2 3 PLC ±- 4 PLC ±- ANGLES ±-		APPLICATION SPEC	-	
MATERIAL TBD	FINISH -	WEIGHT -	SIZE A3	CAGE CODE 00779
-		finish_spec_2	DRAWING NO L001047	RESTRICTED TO -
CUSTOMER DRAWING			SCALE 2:1	SHEET 3 OF 4
			REV A	

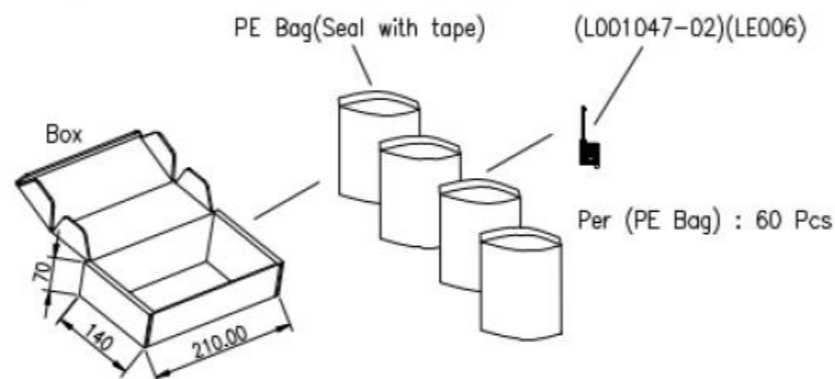
REVISIONS

P	LTR	DESCRIPTION	DATE	DWN	APVD
-	-	SEE SHEET 1	-	-	-

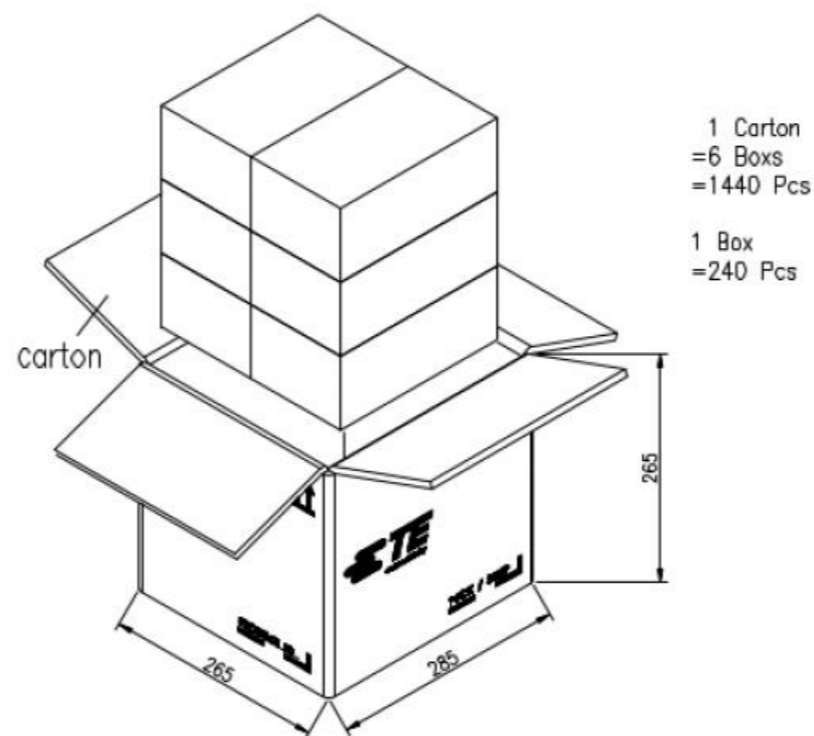
L001047-01



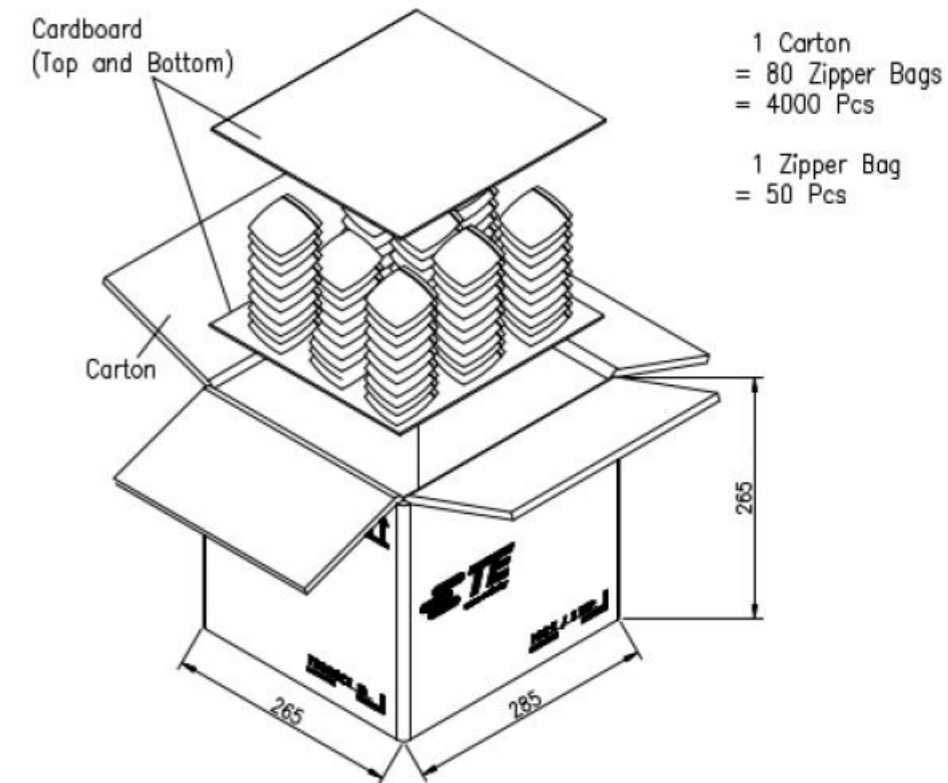
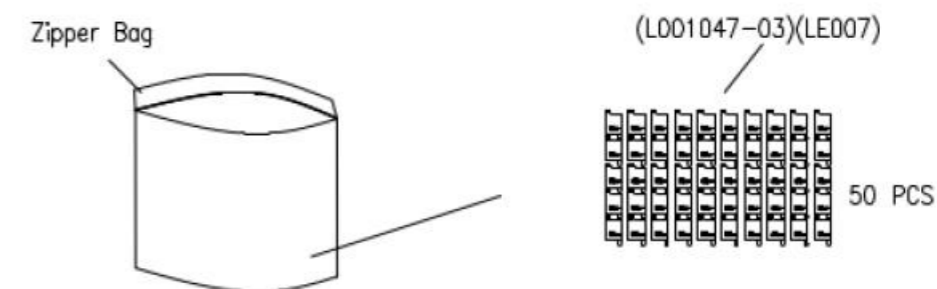
L001047-02



4 PE Bag : 60x4=240 Pcs



L001047-03



THIS DRAWING IS A CONTROLLED DOCUMENT.

DWN DC HSIANG 04DEC2024

CHK SJ NOH 04DEC2024

APVD SJ NOH 04DEC2024

PRODUCT SPEC

APPLICATION SPEC

WEIGHT

CUSTOMER DRAWING



TE Connectivity

NAME NFC ANT, 13.56MHZ, FERRITE, WTB

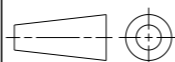
SIZE CAGE CODE DRAWING NO RESTRICTED TO

A3 00779 C=L001047

SCALE 2:1 SHEET 4 OF 4 REV A

DIMENSIONS:

mm



TOLERANCES UNLESS OTHERWISE SPECIFIED:

- 0 PLC ±
- 1 PLC ±
- 2 PLC ±0.2
- 3 PLC ±
- 4 PLC ±
- ANGLES ±

MATERIAL TBD

FINISH

finish_spec_2