

Support terminal, green/yellow, spring-type terminal, for floor mounting



Product brand name	SIRIUS ACT
Product designation	Support terminal
Product type designation	3SU1

General technical data

Suitability for integration	yes
Degree of pollution	3
Surge voltage resistance rated value	6 kV
Protection class IP	
• of the enclosure	IP40
• of the terminal	IP20
Reference code acc. to DIN EN 81346-2	S
Reference code acc. to DIN EN 61346-2	S

Connections/Terminals

Type of electrical connection	spring-loaded terminals
• of modules and accessories	Spring-type terminal

Ambient conditions

Ambient temperature	
• during operation	-25 ... +70 °C




- during storage

-40 ... +80 °C

Installation/ mounting/ dimensions

Mounting type	Floor mounting
<ul style="list-style-type: none"> • of modules and accessories 	
Height	36 mm
Width	9.8 mm
Depth	33.6 mm

Certificates/approvals

General Product Approval	Declaration of Conformity	Test Certificates
 UL	 EAC	 EG-Konf.
	Miscellaneous	Special Test Certificate
		Type Test Certificates/Test Report

Marine / Shipping



ABS



LRS



PRS



RINA



RMRS



DNV-GL

other

[Confirmation](#)

Further information

Information- and Downloadcenter (Catalogs, Brochures,...)

<http://www.siemens.com/industrial-controls/catalogs>

Industry Mall (Online ordering system)

<https://mall.industry.siemens.com/mall/en/en/Catalog/product?mlfb=3SU1400-2DA43-3AA0>

Cax online generator

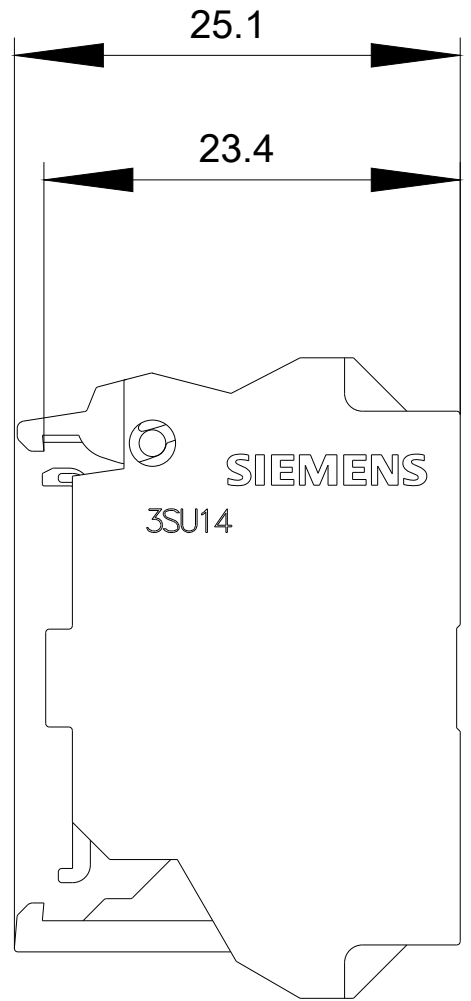
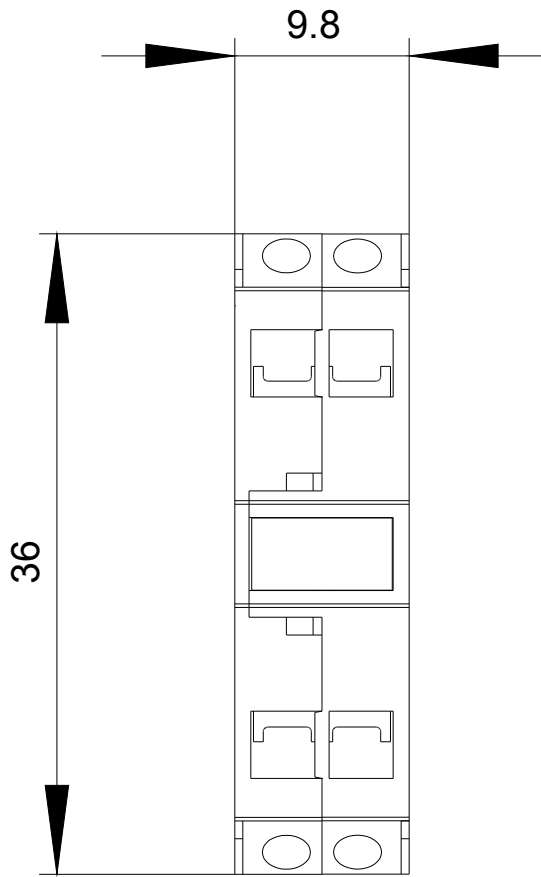
<http://support.automation.siemens.com/WW/CAXorder/default.aspx?lang=en&mlfb=3SU1400-2DA43-3AA0>

Service&Support (Manuals, Certificates, Characteristics, FAQs,...)

<https://support.industry.siemens.com/cs/ww/en/ps/3SU1400-2DA43-3AA0>

Image database (product images, 2D dimension drawings, 3D models, device circuit diagrams, EPLAN macros, ...)

http://www.automation.siemens.com/bilddb/cax_de.aspx?mlfb=3SU1400-2DA43-3AA0&lang=en



last modified:

02/21/2019