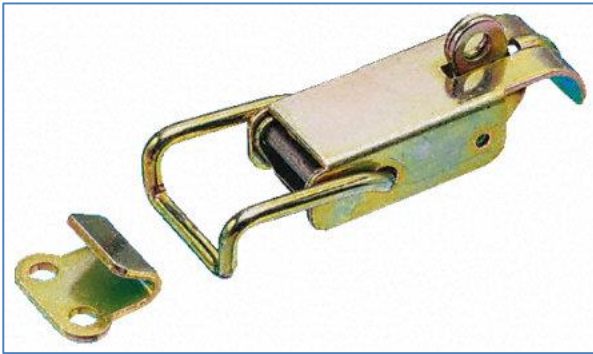


Datasheet

Zinc Plated Toggle Latch, 70kg Op. Tension, 84x32x17mm

RS Stock number [186-1389](#)

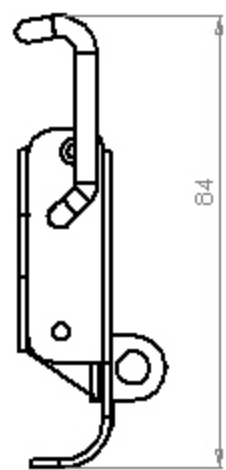
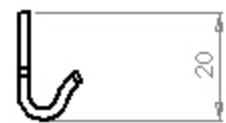
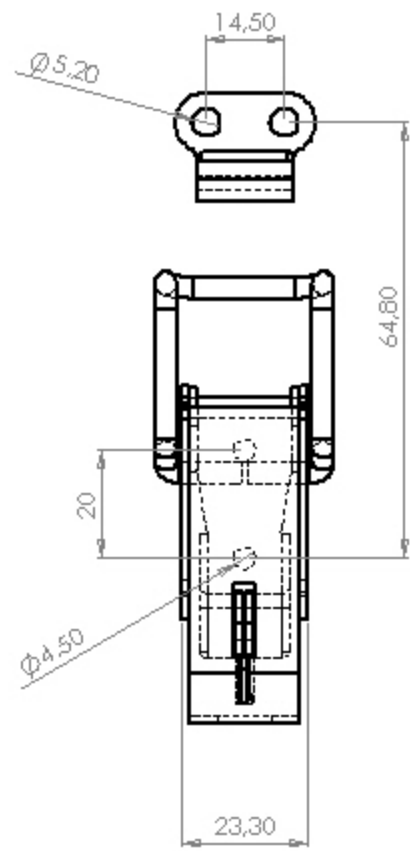


Description:

A robust, general purpose latch with a 4mm wire link and the facility to padlock secure. Normal latch to catch fixing centre is 63.3mm (max.) giving a 70kgf max operating tension. Suitable for screw fixing using 2xM4 screws for latch and 2xM5 screws for catch.

Features:

- Dimensions 84 x 32 x 17mm
- Finish Zinc Plated
- Lockable Yes, Lock Not Included
- Material Steel
- Operating Tension 70kgf



186-1389
197-4176