

Bourdon tube pressure gauges, liquid filled,

Modelcode type: 213.53.0XX

Item number: 82207551

Description

Design according	EN 837-1
Accuracy class	class 1.6
Scale range	0...40 MPa

Constructional design

Process connection	G 1/4 B
Connector location	back mount
Pressure element	Copper alloy
Movement	Copper alloy
Case	Crimp ring case (version 53)
Nominal size	050 mm
Restrictor	brass, D 0.5
Case filling fluid	Silicon oil M50
Pointer	Alu Pointer - Plastic Connector
Window	plastic, clear
Dial	plastic, white, with stop-pin

Operating conditions

Pressure limitation	Steady: 3/4 x full scale value
	Fluctuating: 2/3 x full scale value
	Short time: Full scale value

Permissible ambient temperature -20 ... +60 °C

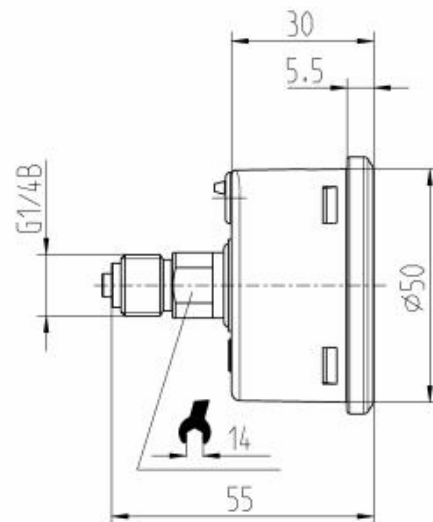
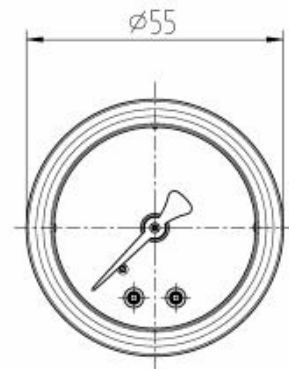
Permissible medium temperature +60°C maximum

Temperature effect when the temperature deviates from the reference temperature (+20°C) Max. +/-0.4 %/10 K of the span

Ingress protection IP 65

Dial description:

Pressure Gauge Standard	China
color for 1.scale (outside)	black



Bourdon tube pressure gauges, liquid filled,

Modelcode type: 213.53.0XX

Item number: 82207551

dial background	White
Manufacturer logo	*WIKA*
stop pin on dial	at zero
norm-mark on dial	*EN 837-1*
safetymark on dial	*S*
accuracy class on dial	*Cl.1.6*
CE mark on dial	*UKCA* *CE* model * ... *

Labelcode

Label	WIKA standard
language of the label	German