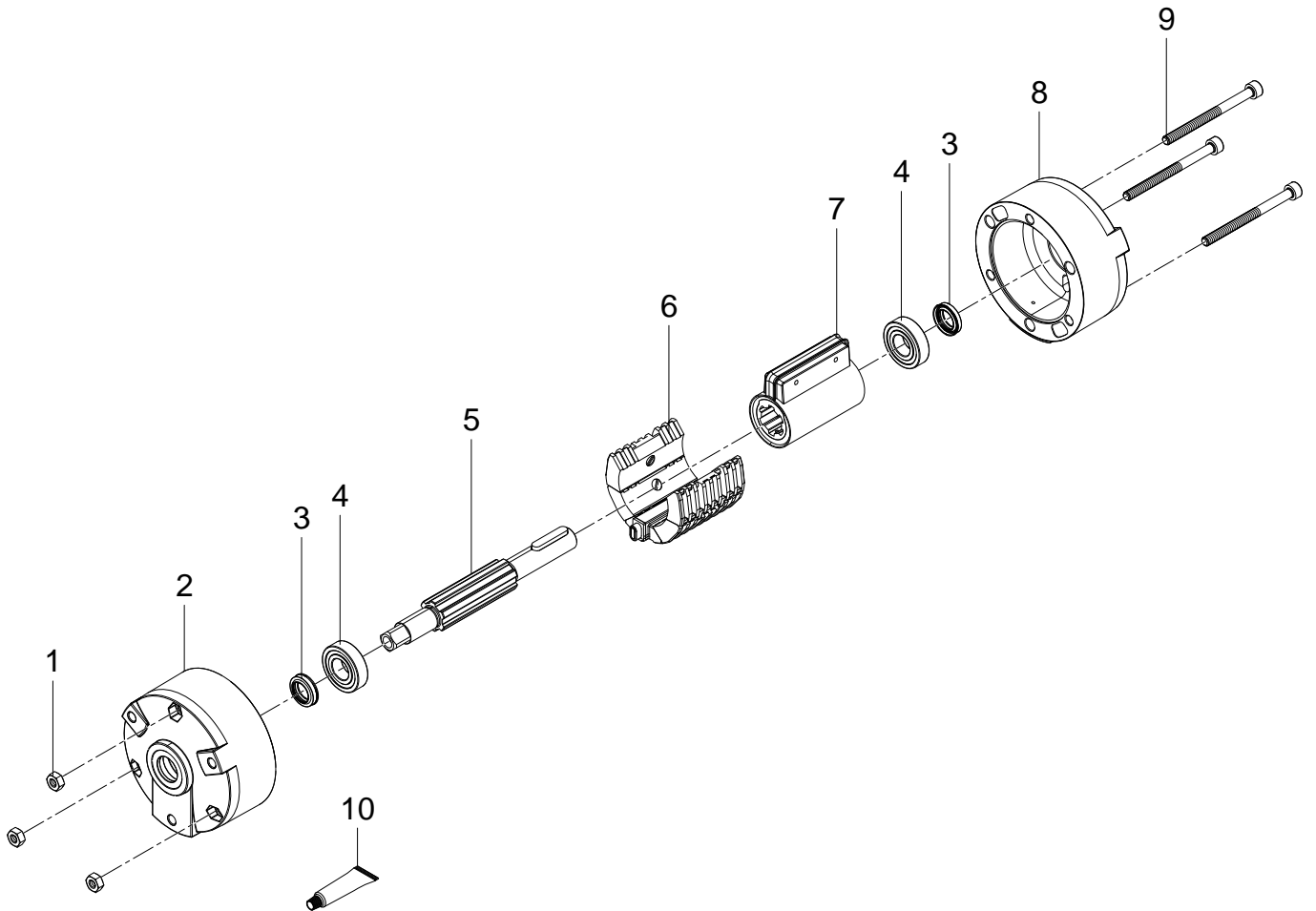


1845716 DRVS-25-90-P Semi-rotary drive - Series: All



1845716 DRVS-25-90-P Semi-rotary drive - Series: All

Pos.	Part no.	Type	Note	Qty.	Unit
A	8173163	DRVS-25 Set of wearing parts	Spare parts: 6, 7, 10 ▶ Replacing the wearing parts	1	PC
1		ISO 4032-M4-8 Hex nut	Not available	3	PC
2		DRVS-25:1 Housing	Not available Grease using during assembly. See position 10	1	PC
3	369542	WIFC1-10X14X3,7-TPE-U Wiper seal	Grease using during assembly. See position 10	2	PC
4	8038218	XF+D625-61900-2Z Deep groove ball bearing		2	PC
5		DRVS-25 Shaft	Not available Grease using during assembly. See position 10	1	PC
6		DRVS-25-90 Stop module	Not available separately, see position A	1	PC
7		DRVS-25 Vane module	Not available separately, see position A	1	PC
8		DRVS-25:2 Housing	Not available Grease using during assembly. See position 10	1	PC
9		ISO 4762-M4X52-8.8 Socket head screw	Not available	3	PC
10	684474	LUB-KC1 SILIKONFREI 20ML Lubricating grease		1	PC