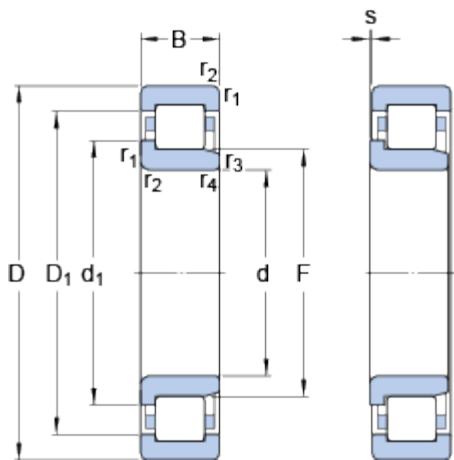


NJ 2312 ECP

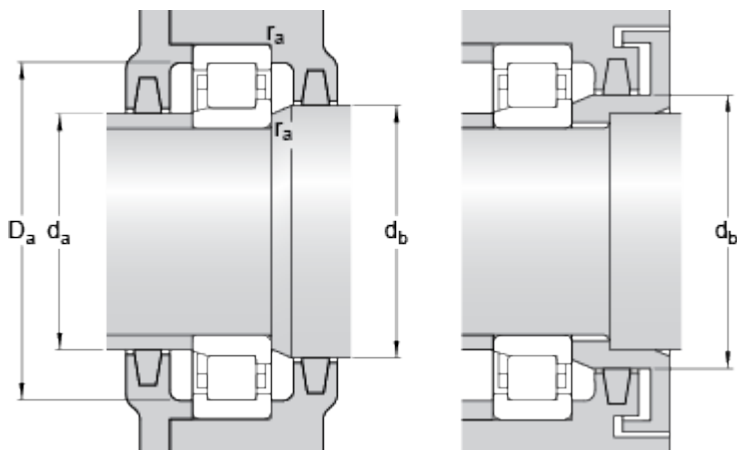
Popular item
SKF Explorer

Dimensions



d	60	mm
D	130	mm
B	46	mm
d ₁	≈ 84.3	mm
D ₁	≈ 108.6	mm
F	77	mm
r _{1,2}	min. 2.1	mm
r _{3,4}	min. 2.1	mm
s	max. 3.6	mm

Abutment dimensions



d _a	min. 72	mm
d _a	max. 74	mm
d _b	min. 87	mm
D _a	max. 118.1	mm
r _a	max. 2	mm

Calculation data

Basic dynamic load rating	C	260	kN
Basic static load rating	C ₀	265	kN
Fatigue load limit	P _u	34.5	kN
Reference speed		5600	r/min
Limiting speed		6700	r/min
Calculation factor	k _r	0.25	
Limiting value	e	0.3	
Axial load factor	Y	0.4	

Mass

Mass bearing	2.81	kg
--------------	------	----

Associated products

Angle ring

HJ 2312 EC
