

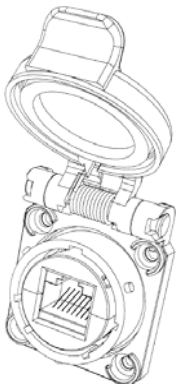
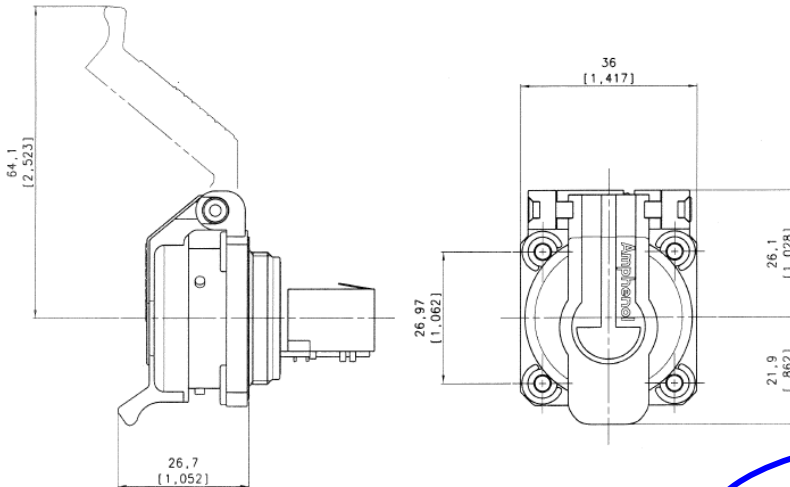
Self Closing Cap

For RJ Field, USB and IEEE1394 receptacles

Description

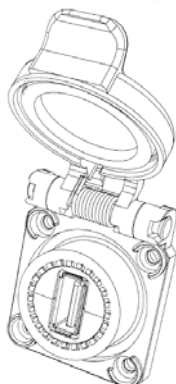
This Self Closing Cap allows to protect automatically the RJ Field square flange receptacles (MIL-C-26482 type), protecting your system from dust and water projections. The same automatic cap can be used to protect USB and IEEE1394 receptacles.

A spring automatically closes the upper part of the cap when either the RJ Field plug, either the RJ45 cordset, either the USB or IEEE1394 cordset, either the USB key are removed from the receptacle.



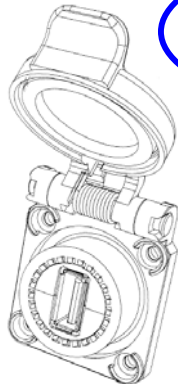
Version : RJ45
RJF 21N SCC

Nickel and metallized inserts (EMI)



Version : USB
USBF 21N SCC

Nickel and metallized inserts (EMI)



Version : IEEE1394
FWF 21N SCC

Nickel and metallized inserts (EMI)

RJF 21B SCC

Black and blank insert

USBF 21B SCC

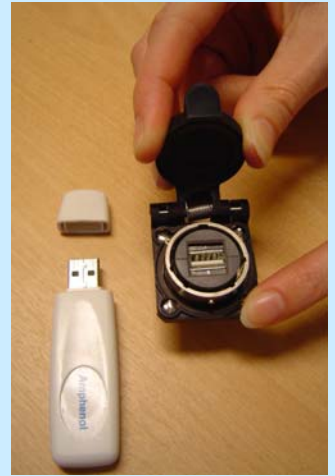
Black and blank insert

FWF 21B SCC

Black and blank insert

Note : Pannel gasket for square flange receptacles: **JE18**

Amphenol Pcd – 2 Technology Drive – Peabody – Massachusetts – 01960 USA
Tel. : + 1 978-532-8800 x273 Fax : + 1 978-532-680
<http://www.rjfield.com> -- <http://www.usbfield.com> -- <http://www.fwfield.com>



**Self Closing Cap
for RJ Field, USB
and IEEE 1394**



Electronica 2004 :
**RJField awarded « Component
Product of the Year »**

Applications

- Robots control cabinets
- Data transfert
- Numerical Machine

Amphenol®

DOC000053 --ANG-C Nov. 04