

# HD KIT, MALE SCREW RET. ✓ ACTIVE

AMPLIMITE | AMPLIMITE Kit

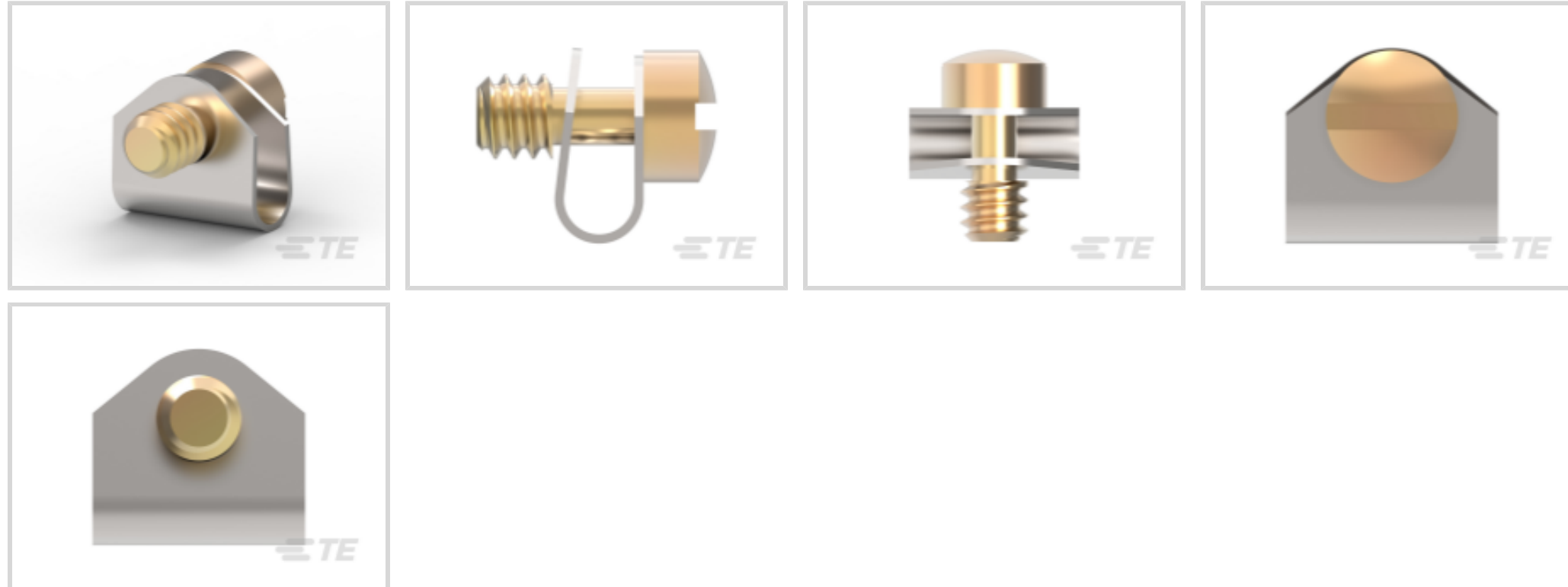
TE Part # 5745647-1

TE Internal #: 5745647-1

[View on TE.com >](#)



Connectors > D-Shaped Connectors > D-Sub Accessories > Locking & Mounting



Accessory Type: **Screw Retainer Kit**

Screw Length: **5.58 mm [ .22 in ]**

## Features

### Product Type Features

Product Type	Accessory
Accessory Type	Screw Retainer Kit

### Mechanical Attachment

Screw Plating Material	Zinc
Screw Material	Steel
Screw Finish	Yellow Chromate
Screw & Hole Thread Size	4-40
Screw Length	5.58 mm [.22 in]

### Operation/Application

For Use With	All Plastic Connectors (HDE)
--------------	------------------------------

### Packaging Features

Packaging Quantity	1
Packaging Method	Individual Kit

## Product Compliance

[For compliance documentation, visit the product page on TE.com>](#)

EU RoHS Directive 2011/65/EU	Compliant
------------------------------	-----------

EU ELV Directive 2000/53/EC	Compliant
China RoHS 2 Directive MIIT Order No 32, 2016	No Restricted Materials Above Threshold
EU REACH Regulation (EC) No. 1907/2006	Current ECHA Candidate List: JAN 2019 (197) Candidate List Declared Against: JAN 2019 (197)
Halogen Content	BFR/CFR/PVC Free, but Br/Cl >900 ppm in other sources.
Solder Process Capability	Not applicable for solder process capability

Product Compliance Disclaimer

This information is provided based on reasonable inquiry of our suppliers and represents our current actual knowledge based on the information they provided. This information is subject to change. The part numbers that TE has identified as EU RoHS compliant have a maximum concentration of 0.1% by weight in homogenous materials for lead, hexavalent chromium, mercury, PBB, PBDE, DBP, BBP, DEHP, DIBP, and 0.01% for cadmium, or qualify for an exemption to these limits as defined in the Annexes of Directive 2011/65/EU (RoHS2). Finished electrical and electronic equipment products will be CE marked as required by Directive 2011/65/EU. Components may not be CE marked. Additionally, the part numbers that TE has identified as EU ELV compliant have a maximum concentration of 0.1% by weight in homogenous materials for lead, hexavalent chromium, and mercury, and 0.01% for cadmium, or qualify for an exemption to these limits as defined in the Annexes of Directive 2000/53/EC (ELV). Regarding the REACH Regulations, TE's information on SVHC in articles for this part number is still based on the European Chemical Agency (ECHA) 'Guidance on requirements for substances in articles' (Version: 2, April 2011), applying the 0.1% weight on weight concentration threshold at the finished product level. TE is aware of the European Court of Justice ruling of September 10th, 2015 also known as O5A (Once An Article Always An Article) stating that, in case of 'complex object', the threshold for a SVHC must be applied to both the product as a whole and simultaneously to each of the articles forming part of its composition. TE has evaluated this ruling based on the new ECHA "Guidance on requirements for substances in articles" (June 2017, version 4.0) and will be updating its statements accordingly.

Also in the Series | **AMPLIMITE Kit**



D-Sub Backshells & Clamps (140)



D-Sub Contact Accessories (1)



D-Sub Covers(3)

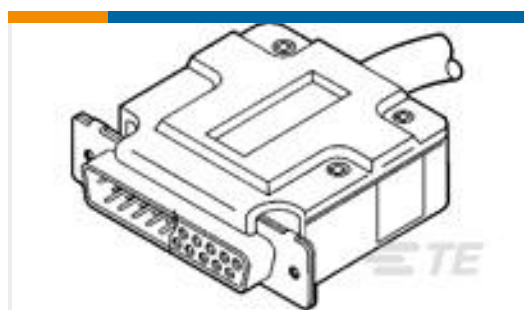


D-Sub Locking & Mounting (122)

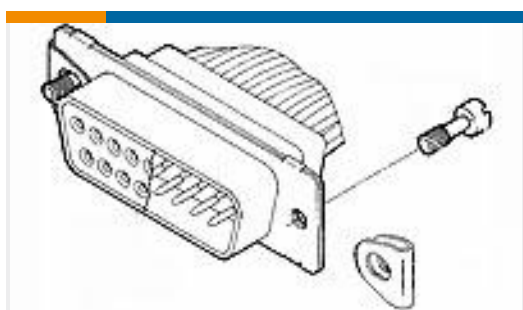
Customers Also Bought



TE Part #1658640-1  
HDP-20,RCPT,SIZE 5, 50 POSN



TE Part #207345-1  
CABLE CLAMP KIT,SZ 3



TE Part #211883-5  
SCREW RETAINER KIT, AMPLIMITE



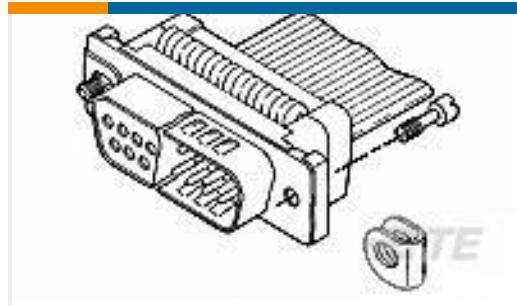
TE Part #5745173-1  
CABLE CLAMP KIT,SZ 3

## HD KIT, MALE SCREW RET.

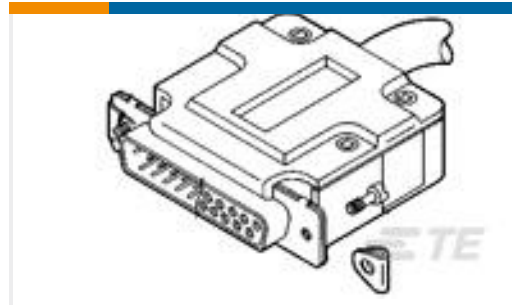
TE Part # 5745647-1  
TE Internal #: 5745647-1



TE Part #1658657-1  
KIT,HDP-20,ENCLSUR,  
PLUG,SIZE 2



TE Part #5746881-1  
MALE SCREW RETAINER  
KIT



TE Part #5207908-7  
STRAIN REL W/SCRW RET  
KIT,SZ 3



TE Part #747784-8  
JACKSCREW KIT,4-40,  
BULK



TE Part #1658643-1  
HDP-20,RCPT,SIZE 1, 9  
POSN,CLI



TE Part #66683-4  
SOCKET CONTACT, 20 DF

## Documents

### Product Drawings

#### HD KIT, MALE SCREW RET.

English

### CAD Files

#### 3D PDF

3D

#### Customer View Model

[ENG\\_CVM\\_CVM\\_5745647-1\\_O.2d\\_dxf.zip](#)

English

#### Customer View Model

[ENG\\_CVM\\_CVM\\_5745647-1\\_O.3d\\_igs.zip](#)

English

#### Customer View Model

[ENG\\_CVM\\_CVM\\_5745647-1\\_O.3d\\_stp.zip](#)

English

### Product Environmental Compliance

#### TE Material Declaration

English

### Instruction Sheets

#### Instruction Sheet (U.S.)

English