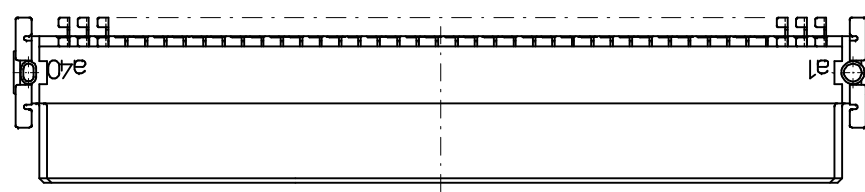
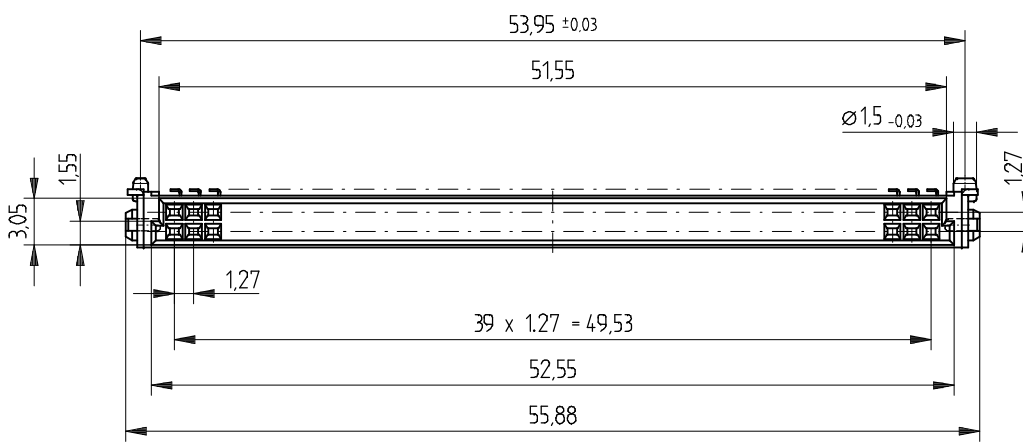
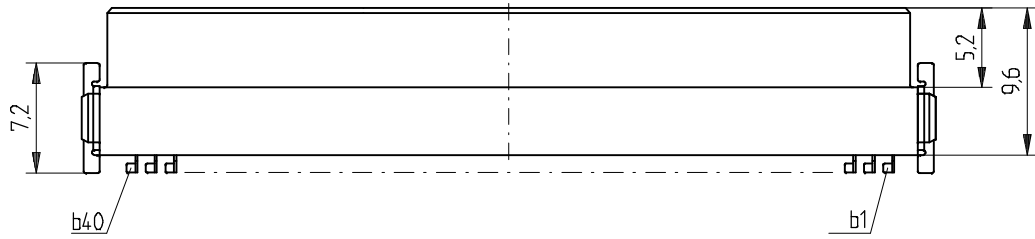
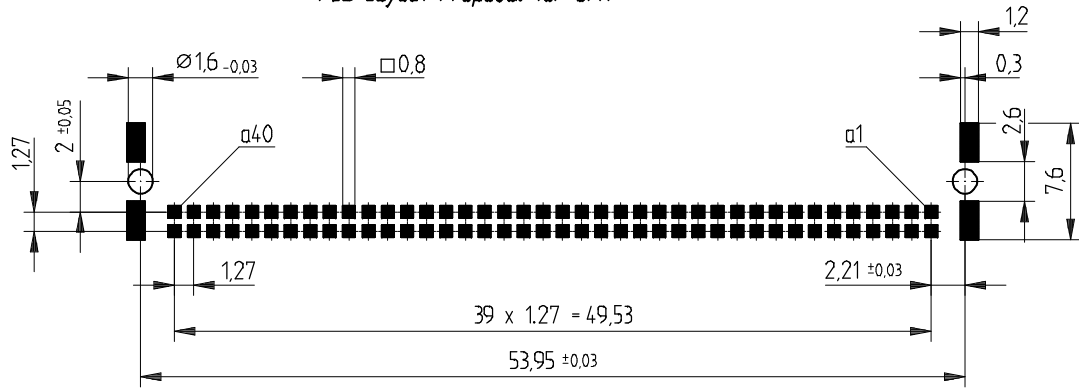
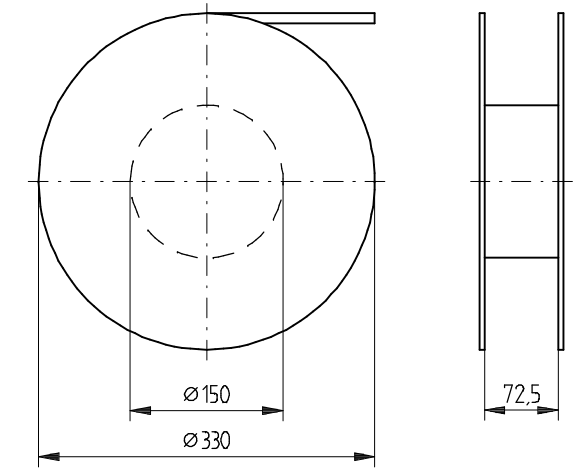


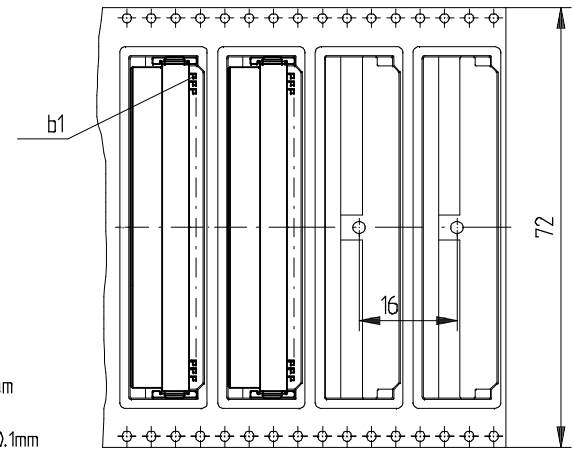
Leiterplatten-Layout Vorschlag für SMT
PCB-Layout Proposal for SMT



Verpackt in Gurtverpackung - Tape on Reel Packaging
Verpackungseinheit: 560 Stück - Packaging unit: 560 pcs



Abspulrichtung - Reel off Direction



Anforderungsstufe 1
Performance Level 1
Kontaktbereich vergoldet
Mating Area gold plating
Anschlussbereich verzinkt 4-6 µm
Terminal Area 4-6 µm tin plating
Kaplanarität der Anschlüsse ≤ 0,1mm
Coplanarity Area of Termination ≤ 0,1 mm

BA7-03 - Standard Bauhöhe
type7-03 - Standard Assembly Height

Consider protection memo from DIN 34	Information:	Tolerances	 All Dimensions in mm	Scale	3:1
	All rights reserved. Only for information. To insure that this is the latest version of this drawing, please contact one of the ERNI companies before using.	Subject to modification without prior notice. Drawing will not be updated.		XXXXX Angaben zu entsprechender Ident-Nr. siehe Fertigungsunterlagen For further information about I.D. number see manufacturing document.	Designation Federl. SMC-Q 80-SMD-BA7-03 Female SMC-Q 80-SMD-type7-03
Index	Date	www.ERNI.com		154744	1
		V:00039951.SZN		SMCQ	