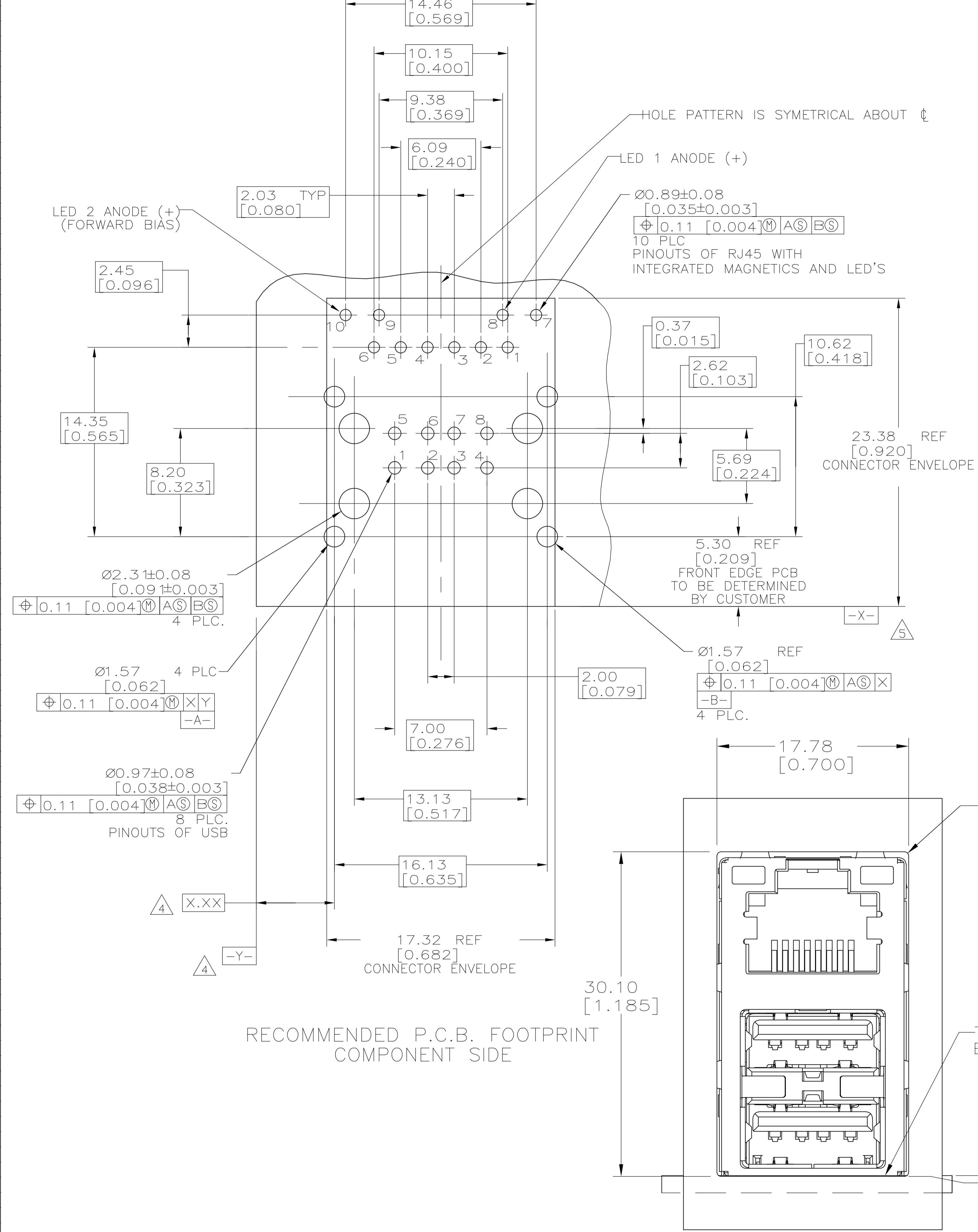


- ⚠ USB MATERIALS:  
 SHELL: BRASS  
 HOUSING: BLACK, THERMOPLASTIC, GLASS FILLED, UL 94V-0 RATED  
 CONTACT: PHOSPHOR BRONZE WITH SELECTIVE GOLD PLATING, 0.76µm MIN IN CONTACT REGION.  
 SPRING CLIP: COPPER ALLOY
- RJ45 MATERIALS:  
 PLASTIC HOUSING: BLACK, PET THERMOPLASTIC FLAMMABILITY RATING UL 94V-0  
 SHIELD: BRASS, PLATED WITH 0.76µm SEMI-BRIGHT NICKEL, SELECTED TIN, 2.0-3.8µm ON SOLDER TAILS ONLY  
 CONTACTS: PHOSPHOR BRONZE.  
 PLATING: 1.27µm MIN NICKEL UNDERPLATE WITH SELECT 1.27µm MIN GOLD AT MATING INTERFACE AND 2.54µm MIN TIN ON CONTACT TAILS.
- LIGHT PIPE: FLAME RETARDANT POLYCARBONATE.  
 LED: DIFFUSED EPOXY LENS, CARBON STEEL LEAD FRAME WITH TIN/SILVER/NICKEL/COPPER PLATING.
- ⚠ MAGNETICS  
 -APPLICATION: 10/100 BASE-T  
 -IMPEDANCE: 100 OHMS  
 -TURNS RATIO (CHIP:CABLE): TX = 1:1, RX = 1:1  
 -OPEN CIRCUIT INDUCTANCE (OCL): 350µH MIN @100kHz, 0.1VRMS, 8mADC BIAS FROM 0°C TO 70°C, TX AND RX  
 -PERFORMANCE @ 25°C:  
 INSERTION LOSS (IL): 1.1dB MAX FROM 0.5MHz TO 100MHz  
 RETURN LOSS (RL): 18dB MIN FROM 0.5MHz TO 30MHz  
 18-20LOG(f/30)dB MIN FROM 30.1MHz TO 60MHz  
 12dB MIN FROM 60.1MHz TO 80MHz  
 CROSSTALK ATTENUATION: 35dB MIN FROM 0.5MHz TO 40MHz  
 33-20LOG(f/50)dB MIN FROM 40.1MHz TO 100MHz  
 COMMON MODE REJECTION RATIO (CMRR): 30dB MIN FROM 0.5MHz TO 100MHz  
 -ISOLATION VOLTAGE: COMPLIES WITH IEEE802.3 2002, PARA 23.5.1.1, ITEM a or b.
- ⚠ PRODUCT IDENTIFICATION TO BE MARKED IN APPROXIMATE LOCATION.  
 ⚠ DATUM LOCATION AND DIMENSION TO BE ESTABLISHED BY CUSTOMER.  
 ⚠ RJ45 CAVITY COMFORMS TO FCC RULES AND REGULATION PART 68 SUBPART F.  
 ⚠ MATING INTERFACE COMPIES WITH USB (UNIVERSAL SERIAL BUS) SPECIFICATION REV 2.0, UTILIZING TYCO P/N 292323-1 WITH USB 2.0 CERTIFICATE TEST ID NO. 60000242.  
 ⚠ LED'S COMPLIANT WITH IEC60825-1 SAFETY OF LASER PRODUCTS. WHEN OPERATED AT CURRENT OF 20 MA.  
 ⚠ R1 - R4 = 75 Ohm, 1/16 W, 5% RESISTORS.  
 ⚠ C1 = 1000pF, 2kV DECOUPLING CAPACITOR FOR 6620004-1  
 C1 = 1000pF, 3kV DECOUPLING CAPACITOR FOR 6620004-2 AND -11
10. OPERATING TEMPERATURE: -FROM 0° C TO + 70° C

GREEN	GREEN	1000 pF, 3kV	1-6620004-1
GREEN/ORANGE	YELLOW	1000 pF, 3kV	6620004-2
GREEN/ORANGE	YELLOW	1000 pF, 2kV	6620004-1
LED 2	LED 1	DECOUPLING CAPACITOR	PART NUMBER

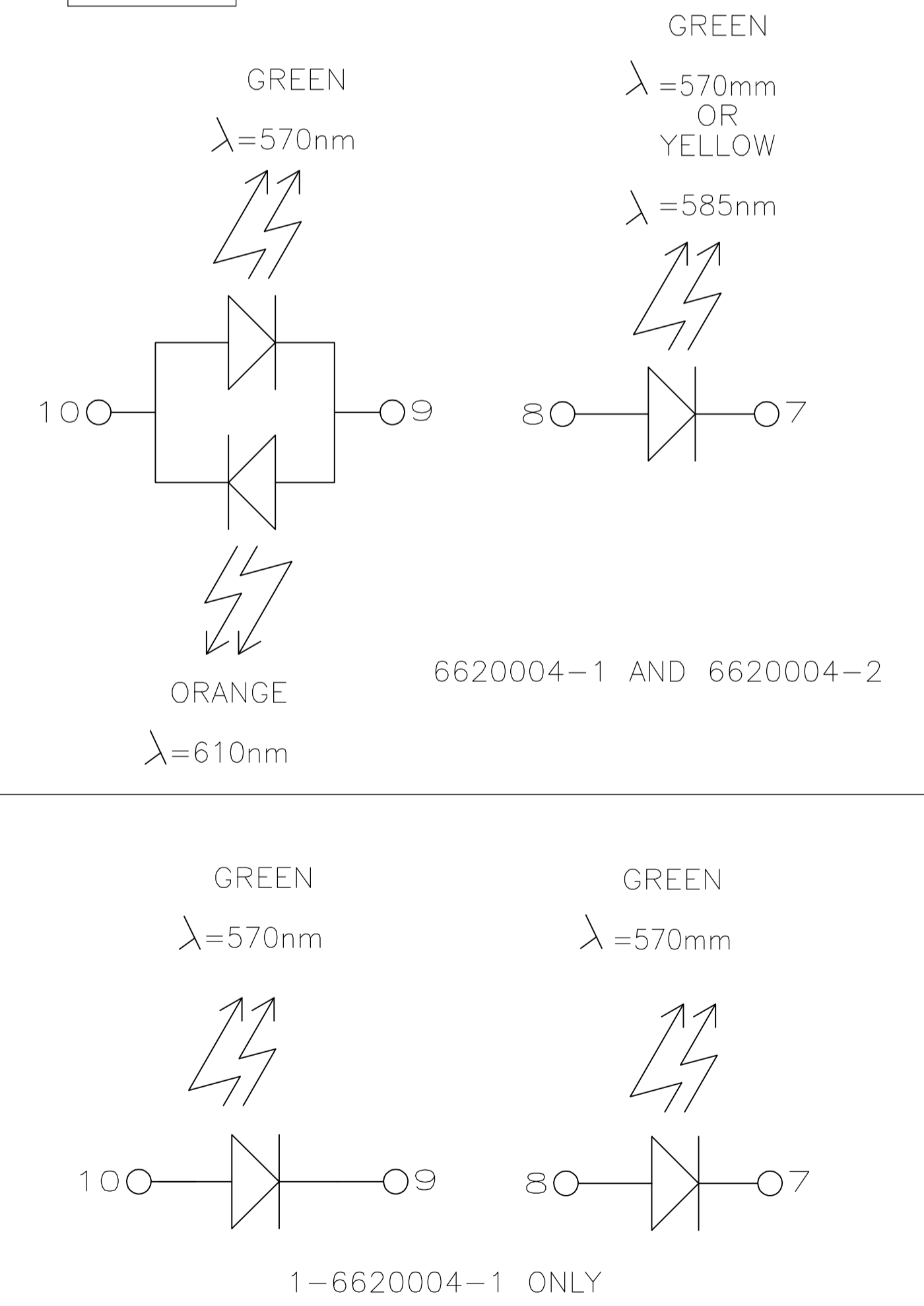
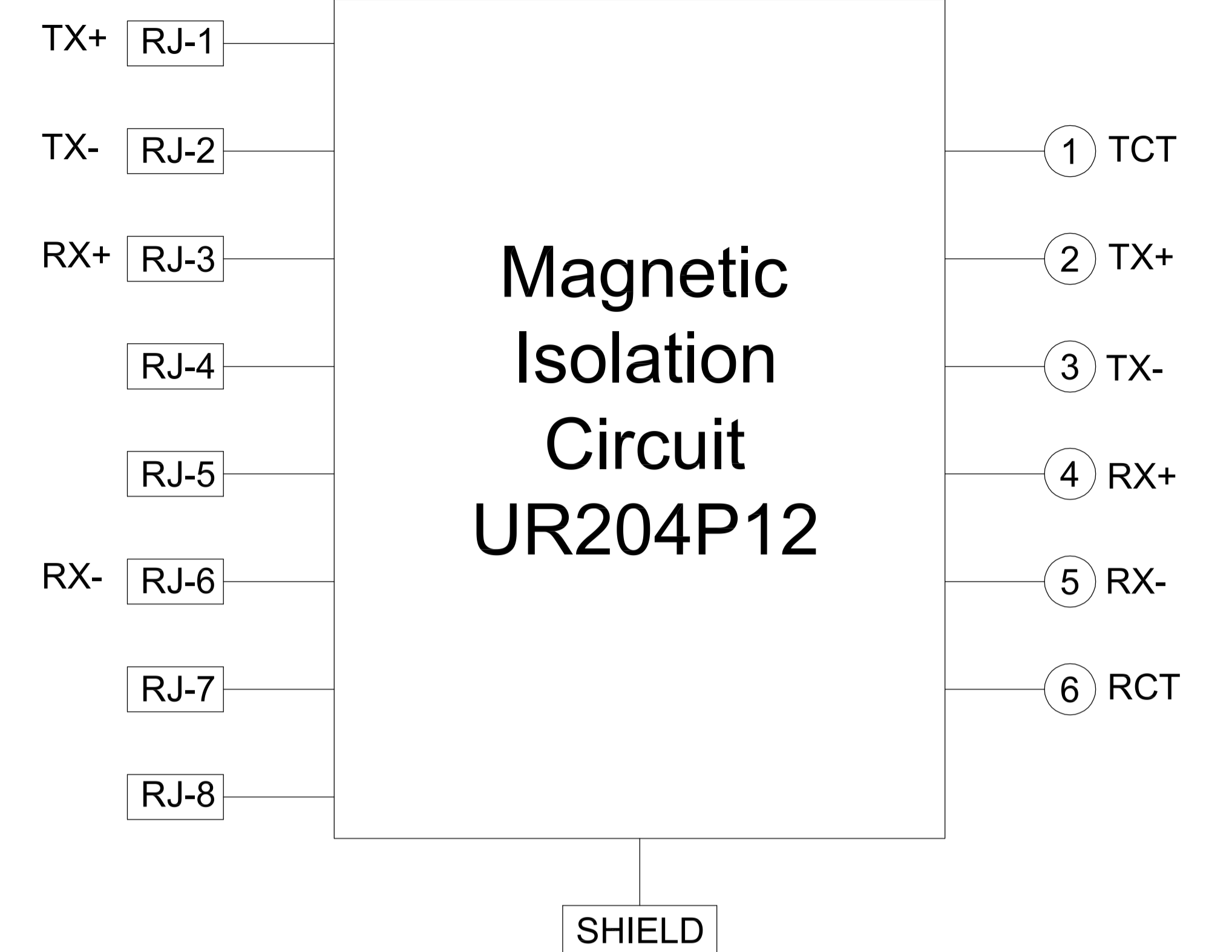
  

THIS DRAWING IS A CONTROLLED DOCUMENT.		DIN R GRZYBOWSKI 24/JUN/05	Tyco Electronics Corporation Harrisburg, PA 17105-3608
DIMENSIONS: mm		CHK P DAMATO 24/JUN/05	
TOLERANCES UNLESS OTHERWISE SPECIFIED:		APVD S FLICKINGER	NAME RJ45 OVER DUAL USB W/INTEGRATED UR204P12 MAGNETICS, LED'S. INLINE 108-2100
0 PLC ± -		PRODUCT SPEC	
1 PLC ± -		APPLICATION SPEC	SIZE CAGE CODE DRAWING NO
2 PLC ± 0.25			A1 00779 C=6620004
3 PLC ± 0.25			WEIGHT
4 PLC ± -			CUSTOMER DRAWING
ANGLES ± -			SCALE 1:1 SHEET 1 OF 2 REV C



RECOMMENDED P.C.B. FOOTPRINT COMPONENT SIDE

SUGGESTED PANEL CUTOUT DIMENSIONS  
 SCALE 4:1



THIS DRAWING IS A CONTROLLED DOCUMENT.		DIN R GRZYBOWSKI 24JUN05		Tyco Electronics Corporation Harrisburg, PA 17105-3608	
DIMENSIONS: mm		CHK P. DAMATO		NAME S. FLICKINGER	RJ45 OVER DUAL USB W/INTEGRATED UR204P12 MAGNETICS, LED'S. INLINE 6 PIN, 10/100 ETHERNET, PNL GND SHLD
TOLERANCES UNLESS OTHERWISE SPECIFIED:		APVD	PRODUCT SPEC	APPLICATION SPEC	SIZE A1
0 PLC ±	1 PLC ±	2 PLC ±	3 PLC ±	4 PLC ±	ANGLES ±
MATERIAL		FINISH		WEIGHT	CAGE CODE DRAWING NO. A1 00779 ©=6620004
CUSTOMER DRAWING		SCALE 1:1		SHEET 2 OF 2 REV C	