
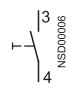
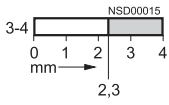

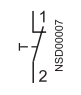
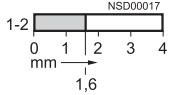

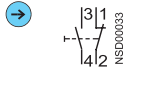
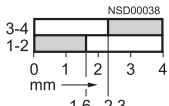
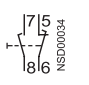
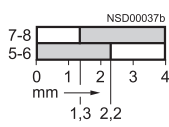
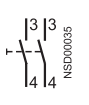
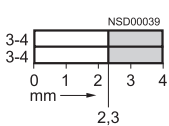
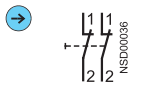
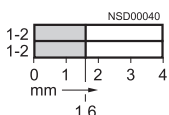



Pushbutton Units and Indicator Lights

SIRIUS 3SB3, ○□ Round and Square Design

Contact blocks and lampholders

Selection and ordering data

| Version | Symbols/ LED color | Contact travel contact closed contact open | Order No. | List Price \$ | Weight approx. kg | Packs Unit |
|--|---|--|---|---------------------|-------------------------|---------------|
| with screw terminals, for front plate mounting | | | | | | |
| Contact block with 1 contact  | Contact block with one contact mounting depth 50 mm | | | | | |
| | 1 NO |  NSD00006 |  | 3SB34 00-0B | 9.65 | 0.01 20 |
| | 1 NC |   NSD00007 |  | 3SB34 00-0C | 9.65 | 0.01 20 |
| Contact block with 2 contacts  | Contact blocks with 2 contacts mounting depth 65 mm (incl. device identification label) | | | | | |
| | 1 NO + 1 NC |  NSD00033 |  | 3SB34 00-0A | 19.30 | 0.019 10 |
| | 1 NO leading + 1 NC lagging |  NSD00034 |  | 3SB34 00-0H | 19.30 | 0.016 10 |
| | 2 NO |  NSD00035 |  | 3SB34 00-0D | 19.30 | 0.019 10 |
| | 2 NC |  NSD00036 |  | 3SB34 00-0E | 19.30 | 0.019 10 |
| Lampholder with integrated LED  | Lampholder with integrated LED | | | | | |
| | UC 24 V | yellow | | 3SB34 00-1PA | 24.40 | 0.01 10 |
| | | red | | 3SB34 00-1PB | 24.40 | |
| | | green | | 3SB34 00-1PC | 24.40 | |
| | AC 110 V | blue | | 3SB34 00-1PD | 24.40 | 0.01 10 |
| | | white | | 3SB34 00-1PE | 24.40 | |
| | | yellow | | 3SB34 00-1QA | 24.40 | |
| | AC 230 V | red | | 3SB34 00-1QB | 24.40 | 0.01 10 |
| | | green | | 3SB34 00-1QC | 24.40 | |
| | | blue | | 3SB34 00-1QD | 24.40 | |
| | AC 230 V | white | | 3SB34 00-1QE | 24.40 | 0.01 10 |
| | | yellow | | 3SB34 00-1RA | 24.40 | |
| red | | | 3SB34 00-1RB | 24.40 | | |
| | green | | 3SB34 00-1RC | 24.40 | | |
| | blue | | 3SB34 00-1RD | 24.40 | | |
| | white | | 3SB34 00-1RE | 24.40 | | |


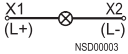
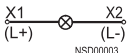
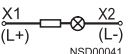
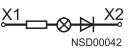
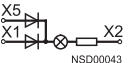
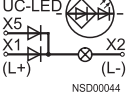
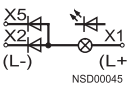
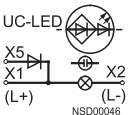

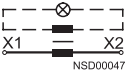
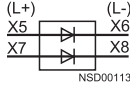
 Positive opening to IEC 60 947-5-1, Appendix K, and DIN VDE 0660 Part 200.

Pushbutton Units and Indicator Lights

SIRIUS 3SB3, ○□ Round and Square Design

Contact blocks and lampholders

Selection and ordering data

| Version | Symbols | Order No. | List Price \$ 1 unit | Weight approx. kg | Packs Unit |
|--|---|---|-------------------------|----------------------|---------------|
| with screw terminals, for front plate mounting | | | | | |
|  <p>Lampholder</p> | Lampholders, BA9s mounting depth 50 mm without lamp |  | 3SB34 00-1A | 16.70 | 0.013 20 |
| | Operational voltage 24 V AC/DC with 24 V incandescent lamp (52AADN) ¹⁾ |  | 3SB34 00-1D | 24.40 | 0.018 10 |
| | Lampholders BA9s | | | | |
| | Operational voltage 110/130 V AC with built-in resistor for longer endurance and 130 V lamp (3SX1 731) ¹⁾ |  | 3SB34 00-1B | 31.50 | 0.025 10 |
| | Operational voltage AC 230/240 V with built-in voltage reducer and 130 V lamp (3SX1 731) ¹⁾ |  | 3SB34 00-1C | 31.50 | 0.025 10 |
| | Lampholders, BA9s with separate lamp test function²⁾ | | | | |
| | incl. 130 V lamp (3SX1 731) ¹⁾ Operational voltage AC 230/240 V |  | 3SB34 00-1F | 37.25 | 0.025 1 |
| | for incandescent lamps, max. 2.6 W and for LED lamps, AC/DC Operational voltage depending on lamp |  | 3SB34 00-1G | 25.70 | 0.025 1 |
| | for incandescent lamps, max. 2.6 W and for LED lamps, DC Operational voltage depending on lamp |  | 3SB34 00-1L | 25.70 | 0.025 1 |
| | for incandescent lamps, max. 2.6 W, for LED lamps, AC/DC and for neon bulbs, AC Operational voltage depending on lamp |  | 3SB34 00-1H | 25.70 | 0.025 1 |
| Transformer | | | | | |
|  <p>Transformer</p> | Transformer for snap-on mounting on 3SB34 00-1A lampholder (lampholder not included) Operational voltage (50/60 Hz): | | | | |
| | 127/24 V |  | 3SB34 00-3A | 32.00 | 0.09 1 |
| | 240/24 V | | 3SB34 00-3C | 32.00 | |
| | 400/24 V | | 3SB34 00-3F | 32.00 | |
| | 127/6 V | 3SB34 00-3M | 32.00 | | |
| | 240/6 V | 3SB34 00-3P | 32.00 | | |
| | 400/6 V | 3SB34 00-3S | 32.00 | | |
| 480/6 V | 3SB34 00-3U | 32.00 | | | |
| 600/6 V | 3SB34 00-3W | 32.00 | | | |
| Switch block with 2 diodes | $U_{RMS} = \text{max. } 250 \text{ V}$ $I_{FAV} = 0.8 \text{ A}$ at $T_U = 60 \text{ }^\circ\text{C}$ |  | 3SB34 00-1N | 16.70 | 0.015 1 |

1) The lamp is included.

2) The lampholder with separate lamp test function can not be installed in an enclosure.

Pushbutton Units and Indicator Lights

SIRIUS 3SB3, ○□ Round and Square Design

Contact blocks and lampholders

Selection and ordering data

| Version | Symbols | Contact travel | DT | Order No. | List Price \$ | Weight approx. | PS* |
|---|---------|-------------------|----|---------------------|---------------|----------------|------|
| | | | | | 1 unit | kg | Unit |
| Switch blocks with spring-loaded terminals, for front panel mounting | | | | | | | |
| Switch block with 1 contact, 50 mm mounting depth, grid 30 mm x 30 mm | | | | | | | |
| 1 NO | | | B | 3SB34 03-0B | 9.65 | 0.008 | 1 |
| 1 NC ¹⁾ | | | B | 3SB34 03-0C | 9.65 | 0.008 | 1 |
| Switch block with 2 contacts, 65 mm mounting depth | | | | | | | |
| 1 NO + 1 NC ¹⁾ | | | B | 3SB34 03-0A | 19.30 | 0.008 | 1 |
| 1 NO leading + 1 NC delayed | | | B | 3SB34 03-0H | 19.30 | 0.008 | 1 |
| 2 NO | | | B | 3SB34 03-0D | 19.30 | 0.008 | 1 |
| 2 NC ¹⁾ | | | B | 3SB34 03-0E | 19.30 | 0.008 | 1 |
| BA 9s lampholder, 50 mm mounting depth, 30 mm x 30 mm grid | | | | | | | |
| without lamp | | according to lamp | B | 3SB34 03-1A | 16.70 | 0.008 | 1 |
| with integrated voltage reducer and with 130 V lamp (3SX1 731) ²⁾ | | AC 230/240 V | B | 3SB34 03-1C | 31.50 | 0.010 | 1 |
| Lampholder with integrated LED, 50 mm mounting depth, 30 mm x 30 mm grid | | | | | | | |
| | | AC/DC 24 V | B | 3SB34 03-1PA | 24.40 | 0.010 | 1 |
| | | yellow | B | 3SB34 03-1PB | 24.40 | 0.010 | 1 |
| | | green | B | 3SB34 03-1PC | 24.40 | 0.010 | 1 |
| | | blue | B | 3SB34 03-1PD | 24.40 | 0.010 | 1 |
| | | white | B | 3SB34 03-1PE | 24.40 | 0.010 | 1 |
| | | AC 110 V | B | 3SB34 03-1QA | 24.40 | 0.010 | 1 |
| | | yellow | B | 3SB34 03-1QB | 24.40 | 0.010 | 1 |
| | | red | B | 3SB34 03-1QC | 24.40 | 0.010 | 1 |
| | | green | B | 3SB34 03-1QD | 24.40 | 0.010 | 1 |
| | | blue | B | 3SB34 03-1QE | 24.40 | 0.010 | 1 |
| | | white | B | 3SB34 03-1RE | 24.40 | 0.010 | 1 |
| | | AC 230 V | B | 3SB34 03-1RA | 24.40 | 0.010 | 1 |
| | | yellow | B | 3SB34 03-1RB | 24.40 | 0.010 | 1 |
| | | red | B | 3SB34 03-1RC | 24.40 | 0.010 | 1 |
| | | green | B | 3SB34 03-1RD | 24.40 | 0.010 | 1 |
| | | blue | B | 3SB34 03-1RE | 24.40 | 0.010 | 1 |
| | | white | B | 3SB34 03-1RE | 24.40 | 0.010 | 1 |

1) Positive opening according to IEC 60947-5-1, Appendix K.

2) Use these lamps only.

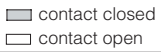



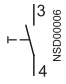
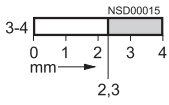

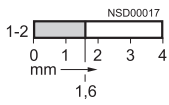

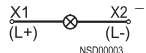


* This quantity or multiple thereof can be ordered

Pushbutton Units and Indicator Lights

SIRIUS 3SB3, ○□ Round and Square Design

Contact blocks and lampholders

Selection and ordering data

| Version | Symbols | Contact travel | Order No. | List Price \$ | Weight approx. | PS |
|---|--|---|--|---------------------|----------------|----------|
| | |  contact closed contact open | 1 unit | kg | Unit | |
| with screw or cage clamp terminal connection, for front panel mounting | | | | | | |
| Adapters for pushbutton units  | Adapters for push-buttons ¹⁾ for snap-on fitting of 3 elements | — | — | 3SB39 01-0AB | 0.70 | 0.001 20 |
| Adapters for selector switches, key-operated switches and double pushbuttons  | Adapters for selector switches, key-operated switches and double push-buttons with pressure plates for actuating the central contact block | — | — | 3SB39 01-0AC | 0.70 | 0.001 10 |
| with solder pins, for use on printed-circuit boards, mounting depth 44 mm | | | | | | |
| Contact block w. solder pins  | Contact blocks with 1 contact | | | | | |
| | 1 NO |  |  | 3SB34 11-0B | 11.60 | 0.002 20 |
| | 1 NC |  |  | 3SB34 11-0C | 11.60 | |
| Lampholder w. solder pins  | Lampholders wedge base W/2 × 4.6 d, without lamp |  | | 3SB34 11-1A | 10.30 | 0.002 20 |
| Pressure plates  | Pressure plates for selector switches and key-op. switches for actuating the central contact block (also for contact blocks with base mounting) | — | — | 3SB39 01-0AW | 0.70 | 0.001 10 |
| PCB holder  | PCB holder for mounting the command devices with the printed-circuit board (screw supplied) | — | — | 3SB39 01-0AA | 1.30 | 0.001 10 |

 Positive opening to IEC 60 947-5-1, Appendix K, and DIN VDE 0660 Part 200.

1) Holders are also available for pushbutton switches.