

Push-in fittings NPQH



Push-in fittings NPQH

Key features



Application



Effortless selection of the right fitting. Festo offers a secure solution for every connection. The convenient push-in fitting system includes well over 1000 types of standard and function fittings.

Summary of tubing/fitting combinations

Applications	Fitting	Tubing	Description
Standard	QS-B	PEN	Suitable for a wide range of tasks and attractively priced. Flexible thanks to highly resistant materials, easy to install thanks to optimised bending radii. High level of abrasion resistance in dynamic applications.
	QS	PUN	Maximum flexibility in standard applications thanks to an extremely wide range of options for combining the different types.
	QS	PAN	Meets all requirements, even for standard applications with increased pressure and temperature ranges.
High pressures	NPQM	PAN-MF	Meets DIN standard 73378: ideal for use in mobile pneumatics. Suitable for increased temperature ranges combined with high pressure ranges.
	NPQH	PAN-R	Powerful in pressure ranges up to 20 bar, for example in applications with the pressure booster DPA.
Resistant to chemicals, food safe and hydrolysis resistant	NPQP	PLN	Resistant to cleaning agents, FDA compliant and economical. Can be used instead of the combination with stainless steel fittings.
	NPKA	PUN-H	Hydrolysis resistant and suitable for water applications. Combination suitable for use in clean rooms, FDA compliant and corrosion resistant thanks to 100% polymer construction. Very easy to install thanks to the "one click principle".
	NPQH	PFAN	For high temperatures up to 150 °C. Suitable for use in the food industry, FDA compliant and resistant to cleaning agents.
	NPCK	PFAN	Easy to clean thanks to the union nut's edge-free design. Maximum resistance to corrosion (CRC 4) and FDA compliant. Suitable for a wide range of media.
	CRQS	PFAN	Maximum resistance to corrosion (CRC 4) and to aggressive acids and lyes.
Anti-static	NPQM	PUN-CM	Anti-static tubing plus solid metal fitting: maximum protection for electrical and electronic components.
Flame retardant	NPQM	PUN-V0	Very safe in areas where there is a risk of fire thanks to flame-retardant properties. The tubing has been tested to DIN 5510-2.
Resistant to welding spatter	NPQH	PUN-V0-C	Ideal for applications involving welding spatter. Reliable thanks to a tubing wall thickness of 2 mm for all diameters.
	QS-V0	PAN-V0	Safe even in the immediate vicinity of welding spatter thanks to the double-walled tubing with special fitting.

Push-in fittings NPQH

Key features

Push-in fittings product range

QSM, mini series



Technical data → Internet: qsm

Miniature push-in fittings for maximum component density in confined spaces. For pneumatic applications with a temperature range up to 80 °C and a pressure range up to 14 bar. Tubing O.D.∅ of 2, 3, 4 and 6 mm with connecting threads M3, M5, M6, M7, R1/8 and G1/8.

QS, standard series



Technical data → Internet: qs

Wide selection of push-in fittings for pneumatic applications with a temperature range up to 80 °C and a pressure range up to 14 bar. Tubing O.D.∅ of 4, 6, 8, 10, 12, 16 and 22 mm with connecting threads R1/8 ... R1/2 and G1/8 ... G3/4.

QSM-B, mini series, core function



Technical data → Internet: qsm-b

Miniature push-in fittings for maximum component density in confined spaces. For core pneumatic applications with a temperature range up to 60 °C and a pressure range up to 10 bar. Tubing O.D.∅ of 3, 4 and 6 mm with connecting threads M3, M5, M7 and R1/8.

QS-B, standard series, core function



Technical data → Internet: qs-b

Push-in fittings for core pneumatic applications with a temperature range up to 60 °C and a pressure range up to 10 bar. Tubing O.D.∅ of 4, 6, 8, 10, 12 and 16 mm with connecting threads M5 and R1/8 ... R1/2.

CRQS, stainless steel



Technical data → Internet: crqs

Stainless steel push-in fitting. High corrosion resistance (CRC4) and chemical resistance with approval for use in the food and packaging industry. For pneumatic applications with a temperature range up to 120 °C and a pressure range up to 10 bar. Tubing O.D.∅ of 4, 6, 8, 10, 12 and 16 mm with connecting threads M5 and R1/8 ... R1/2 .

QS-V0, weld spatter resistant



Technical data → Internet: qs-v0

Flame-retardant push-in fitting for use in all areas where there is a risk of fire, for example welding systems in the automotive industry and in the construction industry. For pneumatic applications with a temperature range up to 60 °C and a pressure range up to 10 bar. Tubing O.D.∅ of 4, 6, 8, 10 and 12 mm with connecting threads R1/8 ... R1/2 and G1/8 ... G1/2 .


Push-in fittings NPQH

Key features

FESTO


Push-in fittings product range

NPQH Technical data → Internet: npqh




All metal push-in fitting made of chemically nickel-plated brass. High corrosion resistance (CRC3) and chemical resistance. For pneumatic applications with a temperature range up to 150 °C and a pressure range up to 20 bar.
Tubing O.D.∅ of 4, 6, 8, 10, 12 and 14 mm with connecting threads M5, M7 and G $\frac{1}{8}$... G $\frac{1}{2}$.

NPQM Technical data → Internet: npqm



Attractively priced metal push-in fitting for pneumatic applications with a temperature range up to 70 °C and a pressure range up to 16 bar.
Tubing O.D.∅ of 3, 4, 6, 8, 10, 12 and 14 mm with connecting threads M5, M7 and G $\frac{1}{8}$... G $\frac{1}{2}$.


NPQP Technical data → Internet: npqp



Polypropylene fitting for use in applications with extreme media influences. For pneumatic applications with a temperature range up to 60 °C and a pressure range up to 10 bar.
Tubing O.D.∅ of 4, 6, 8, 10 and 12 mm with connecting threads R $\frac{1}{8}$... R $\frac{1}{2}$.


Functional push-in fittings product range

QSK, self-sealing push-in fitting Technical data → Internet: qsk



Push-in fitting that blocks the air flow after the tubing is disconnected. For pneumatic applications with a temperature range up to 60 °C and a pressure range up to 14 bar.
Tubing O.D.∅ of 4, 6, 8, 10 and 12 mm with connecting threads M5, R $\frac{1}{8}$... R $\frac{1}{2}$ and G $\frac{1}{8}$... G $\frac{1}{2}$.


QSR, rotary push-in fitting Technical data → Internet: qsr



Push-in fitting with swivel connection, rotatable by 360°. The ball bearing enables rotating movements in the application up to max. 500 rpm. For pneumatic applications with a temperature range up to 60 °C and a pressure range up to 14 bar.
Tubing O.D.∅ of 4, 6, 8, 10 and 12 mm with connecting threads M5, R $\frac{1}{8}$... R $\frac{1}{2}$ and G $\frac{1}{8}$... G $\frac{1}{2}$.

Quick connectors product range


NPCK Technical data → Internet: npck



Stainless steel fitting for use in areas subject to intensive cleaning. Highest level of corrosion resistance (CRC 4). For pneumatic applications with a temperature range up to 120 °C and a pressure range up to 12 bar.
Tubing O.D.∅ of 4, 6, 8 and 10 mm with connecting thread M5 and G $\frac{1}{8}$... G $\frac{3}{8}$.

Click fittings product range

NPKA Technical data → Internet: npka



Plastic fitting for easy installation with one-hand operation. Hydrolysis resistant, FDA compliant and easy to clean. For pneumatic applications with a temperature range up to 60 °C and a pressure range up to 10 bar.
Tubing O.D. 6 mm with connecting thread G $\frac{1}{8}$.

Push-in fittings NPQH

Technical data

FESTO

General technical data	
Size	Standard
Design	Push-pull principle
Mounting position	Any
Type of seal on threaded plug	Sealing ring
Nominal tightening torque [Nm]	1 ±20% at connecting thread M5
	3 ±20% at connecting thread M7
	6 ±20% at connecting thread G1/8
	7.5 ±20% at connecting thread G1/4
	9 ±20% at connecting thread G3/8
	9 ±20% at connecting thread G1/2
Tubing insertion depth [mm]	13 at tubing O.D.∅ 4 mm
	15.8 at tubing O.D.∅ 6 mm
	16 at tubing O.D.∅ 8 mm
	18.3 at tubing O.D.∅ 10 mm
	19.5 at tubing O.D.∅ 12 mm
	22.5 at tubing O.D.∅ 14 mm

Operating and environmental conditions	
Operating pressure [bar]	−0.95 ... +20
complete temperature range	
Operating medium	Compressed air in accordance with ISO 8573-1:2010 [7:--:--]
	Water as per manufacturer's declaration ¹⁾
Note on operating/pilot medium	Lubricated operation possible
Ambient temperature ²⁾ [°C]	0 ... +150
Corrosion resistance class CRC ³⁾	3
Food-safe ¹⁾	See supplementary material information

1) Additional information www.festo.com/sp → Certificates.

2) Observe the operating range of the plastic tubing.

3) Corrosion resistance class CRC 3 to Festo standard FN 940070

High corrosion stress. Outdoor exposure under moderate corrosive conditions. External visible parts with primarily functional requirements for the surface and which are in direct contact with a normal industrial environment.





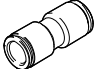
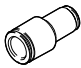
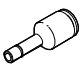
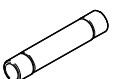
Materials	
Housing	Nickel-plated brass
Releasing ring	Nickel-plated brass
Tube retaining claw	High-alloy stainless steel
Threaded seal	FPM
Tubing seal	FPM
Note on materials	RoHS-compliant

Tube assembly/dismantling			
Assembly		Dismantling	
The prerequisite for ensuring that the inside seal is securely held and protected against damage is that the tube is cut into straight lengths and deburred.			
1) Insert tubing until the end stop. It is important to ensure that the tubing is inserted into the inside	seal. Depending on the tolerance position of the tubing and the seal, the contact of the tubing with the seal may be wrongly interpreted as the end stop.	1) The tubing can be detached easily by pressing and holding down the releasing ring. Remove the tubing carefully from the fitting.	2) Before re-using the tubing, remove the damaged part by cutting it off.
	2) Check that the tubing connector is securely held by pulling gently on the tube.		

Push-in fittings NPQH

Product range overview






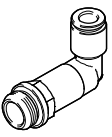
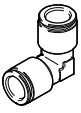
FESTO

Design	Version	Type	Connection D1					Connection D2		→ Page/ Internet	
			M thread	R thread	G thread	Tubing O.D.∅	Push-in sleeve ∅	Tubing O.D.∅	Push-in sleeve ∅		
Straight design	Push-in fitting – external thread with external hexagon										
		NPQH-D	M5	-	-	-	-	-	4, 6	-	9
			M7		-				4, 6		
			-		G1/8				4, 6, 8		
					G1/4				6, 8, 10, 12		
					G3/8				8, 10, 12, 14		
					G1/2				10, 12, 14		
	Push-in fitting – internal thread with external hexagon										
		NPQH-D	-	-	G1/8	-	-	-	4, 6, 8	-	10
					G1/4				4, 6, 8		
	Push-in fitting with push-in sleeve										
		NPQH-D	M5	-	-	-	-	-	-	4, 6	10
			-		G1/8					4, 6, 8	
					G1/4					6, 8, 10, 12	
					G3/8					10, 12	
					G1/2					12	
Push-in fitting – external thread with internal hexagon											
	NPQH-DK	M5	-	-	-	-	-	-	4, 6	-	11
		M7		-					4, 6		
		-		G1/8					4, 6, 8		
				G1/4					8, 10		
				G3/8					12		
Push-in connector											
	NPQH-D	-	-	-	4	-	-	-	-	12	
					6						
					8						
					10						
					12						
	14										
	NPQH-D reducing	-	-	-	6	-	-	-	4	-	12
					8				6		
					12				8		
					14				10, 12		
Push-in connector with push-in sleeve											
	NPQH-D	-	-	-	4	-	-	-	6	13	
					4, 6				8		
					4, 6, 8				10		
					6, 8, 10				12		
					6, 8, 10, 12				14		
Push-in sleeve											
	NPQH-D	-	-	-	-	4	-	-	-	13	
						6					
						8					
						10					
						12					
	14										

Push-in fittings NPQH

Product range overview

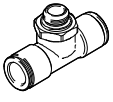

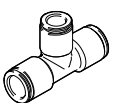
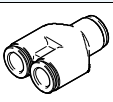
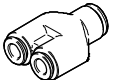
FESTO

Design	Version	Type	Connection D1					Connection D2		→ Page/ Internet
			M thread	R thread	G thread	Tubing O.D.∅	Push-in sleeve ∅	Tubing O.D.∅	Push-in sleeve ∅	
Straight design	Push-in bulkhead fitting – internal thread with external hexagon									
		NPQH-H	-	-	G1/8	-	-	4, 6, 8	-	14
					G1/4			6, 8		
	Push-in bulkhead connector									
		NPQH-H	-	-	-	4	-	-	-	14
						6				
						8				
						10				
						12				
	Blanking plug									
	NPQH-P	-	-	-	-	4	-	-	15	
						6				
						8				
						10				
						12				
						14				
Plug screw										
	NPQH-BK	M5	-	-	-	-	-	-	15	
		M7								
		-								
		G1/8								
		G1/4								
		G3/8								
	G1/2									
L-shape	Push-in L-fitting, 360° orientable – external thread with external hexagon									
		NPQH-L	M5	-	-	-	-	4, 6	-	16
			M7							
			-							
			G1/8							
			G1/4							
			G3/8							
		G1/2								
	Push-in L-fitting, long, 360° orientable – external thread with external hexagon									
		NPQH-LL	-	-	G1/8	-	-	4, 6, 8	-	17
	G1/4									
	G3/8									
Push-in L-connector										
	NPQH-L	-	-	-	4	-	-	-	17	
					6					
					8					
					10					
					12					
					14					

Push-in fittings NPQH

Product range overview



Design	Version	Type	Connection D1				Connection D2		→ Page/ Internet		
			M thread	R thread	G thread	Tubing O.D.∅	Push-in sleeve ∅	Tubing O.D.∅		Push-in sleeve ∅	
T-shape	Push-in T-fitting, 360° orientable – external thread with external hexagon										
		NPQH-T	M5	-	-	-	-	-	4, 6	-	18
			-		G1/8				4, 6, 8		
			G1/4		6, 8, 10, 12						
			G3/8		8, 10, 12						
			G1/2		10, 12						
	Push-in T-connector										
		NPQH-T	-	-	-	-	-	-	4	-	19
			-	-	-				6		
			-	-	-				8		
-			-	-	10						
-			-	-	12						
	NPQH-T reducing	-	-	-	-	-	-	6	-	19	
		-	-	-				8			
		-	-	-				10			
		-	-	-				12			
Y-shape	Push-in Y-connector										
		NPQH-Y	-	-	-	-	-	-	6	-	20
			-	-	-				8		
			-	-	-				10		
		NPQH-Y reducing	-	-	-	-	-	-	6	-	20
			-	-	-				8		
			-	-	-				10		

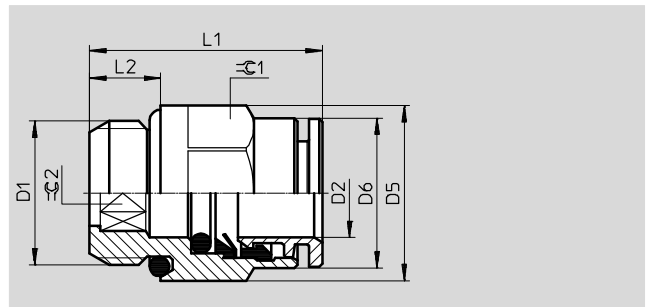
Push-in fittings NPQH

Technical data



Push-in fitting NPQH-D

External thread
with external hexagon



Dimensions and ordering data												
Connection	Nominal size [mm]	Tubing O.D. \varnothing D2	D5 \varnothing	D6 \varnothing	L1	L2	$\approx \varnothing 1$	$\approx \varnothing 2$	Weight/ piece [g]	Part no.	Type	PU ¹⁾
M thread with sealing ring												
M5	2.5	4	8	9	21.5	4	9	2.5	5.8	578334	NPQH-D-M5-Q4-P10	10
	2.5	6	8	12	24	4	12	2.5	11.2	578335	NPQH-D-M5-Q6-P10	10
M7	3	4	9	9	20	5	9	3	5.2	578336	NPQH-D-M7-Q4-P10	10
	3	6	9	12	23	5	12	3	10.2	578337	NPQH-D-M7-Q6-P10	10
G thread with sealing ring												
G $\frac{1}{8}$	3	4	13	9	16.5	5	9	3	6.3	578338	NPQH-D-G18-Q4-P10	10
	4	6	13.5	12	19.5	5	12	4	9.2	578339	NPQH-D-G18-Q6-P10	10
	6	8	13	14	23.5	5	13	6	11.9	578340	NPQH-D-G18-Q8-P10	10
G $\frac{1}{4}$	4	6	16	12	19.5	6.5	12	4	13.1	578341	NPQH-D-G14-Q6-P10	10
	6	8	16	14	21.5	6.5	14	6	14.1	578342	NPQH-D-G14-Q8-P10	10
	8	10	16	16	27.5	6.5	15	8	17.5	578343	NPQH-D-G14-Q10-P10	10
	8	12	16	19	28.5	6.5	19	8	26.6	578344	NPQH-D-G14-Q12-P10	10
G $\frac{3}{8}$	6	8	20	14	21	7	14	6	20.6	578345	NPQH-D-G38-Q8-P10	10
	8	10	20	16	25	7	16	8	22.7	578346	NPQH-D-G38-Q10-P10	10
	10	12	20	19	28.5	7	19	8	29.8	578347	NPQH-D-G38-Q12-P10	10
	10	14	20	22	32	7	22	10	38.3	578348	NPQH-D-G38-Q14-P10	10
G $\frac{1}{2}$	8	10	25	16	25.5	8.5	16	8	35.4	578349	NPQH-D-G12-Q10	1
	10	12	25	19	26.5	8.5	19	8	37.1	578350	NPQH-D-G12-Q12	1
	12	14	25	22	32	8.5	22	12	43.4	578351	NPQH-D-G12-Q14	1

1) Packaging unit quantity

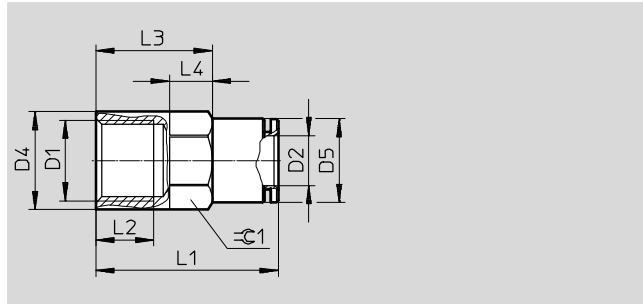
Push-in fittings NPQH

Technical data



Push-in fitting NPQH-D

Internal thread
with external hexagon

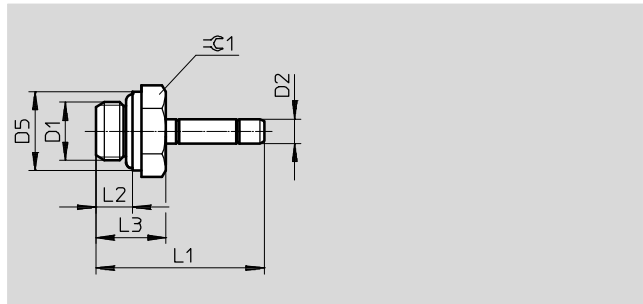


Dimensions and ordering data													
Connection	Nominal width	Tubing O.D.∅	D4 ∅	D5 ∅	L1	L2	L3	L4	≅C1	Weight/ piece [g]	Part no.	Type	PU ¹⁾
D1	[mm]	D2											
G ³ / ₈	3	4	13	9	23.5	7.5	15	5	9	10.2	578352	NPQH-D-G18F-Q4-P10	10
	5	6	14	12	26	7.5	13.5	6	12	15.2	578353	NPQH-D-G18F-Q6-P10	10
	7	8	16	14	26	7.5	10	10	14	17.9	578354	NPQH-D-G18F-Q8-P10	10
G ¹ / ₄	3	4	16	9	27	11	18.5	5	9	14.6	578355	NPQH-D-G14F-Q4-P10	10
	5	6	16	12	30	11	18.5	6	12	18.7	578356	NPQH-D-G14F-Q6-P10	10
	7	8	16	14	30	11	19	7	14	20.3	578357	NPQH-D-G14F-Q8-P10	10

1) Packaging unit quantity

Push-in fitting NPQH-D

with push-in sleeve



Dimensions and ordering data											
Connection	Nominal width	Push-in sleeve ∅	D5 ∅	L1	L2	L3	≅C1	Weight/ piece [g]	Part no.	Type	PU ¹⁾
D1	[mm]	D2	±0.5	±0.5							
M thread with sealing ring											
M5	2.5	4	8	26	4	8	9	3.3	578358	NPQH-D-M5-S4-P10	10
	2.5	6	8	28	4	8	9	6	578359	NPQH-D-M5-S6-P10	10
G thread with sealing ring											
G ³ / ₈	2.5	4	12.9	28	5	10	13	7.4	578360	NPQH-D-G18-S4-P10	10
	4	6	12.9	30	5	10	13	8.6	578361	NPQH-D-G18-S6-P10	10
	6	8	12.9	31	5	10	13	9.6	578362	NPQH-D-G18-S8-P10	10
G ¹ / ₄	4	6	16	32.5	6.5	12.5	16	13.9	578363	NPQH-D-G14-S6-P10	10
	6	8	16	33.5	6.5	12.5	16	14.8	578364	NPQH-D-G14-S8-P10	10
	8	10	16	34.5	6.5	12.5	16	15.8	578365	NPQH-D-G14-S10-P10	10
	8.5	12	16	37.5	6.5	12.5	16	22.2	578366	NPQH-D-G14-S12-P10	10
G ³ / ₈	8	10	20	35	7	13	20	22.5	578367	NPQH-D-G38-S10-P10	10
	10	12	20	38	7	13	20	23.8	578368	NPQH-D-G38-S12-P10	10
G ¹ / ₂	10	12	25	39.5	8.5	14.5	25	34	578369	NPQH-D-G12-S12	1

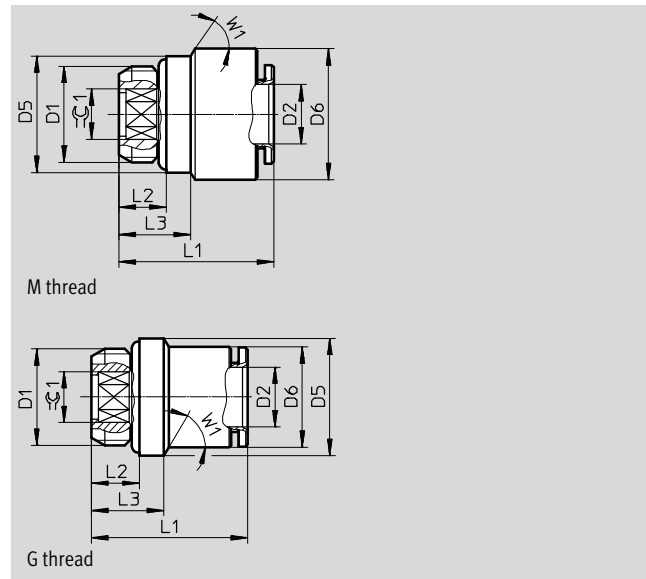
1) Packaging unit quantity

Push-in fittings NPQH

Technical data

Push-in fitting NPQH-DK

External thread
with internal hex



Dimensions and ordering data													
Connection	Nominal width [mm]	Tubing O.D. \varnothing D2	D5 \varnothing	D6 \varnothing	L1	L2	L3	W1	$\approx \varnothing 1$	Weight/ piece [g]	Part no.	Type	PU ¹⁾
M thread with sealing ring													
M5	2.5	4	8	9	19	4	5	45	2.5	4.5	578370	NPQH-DK-M5-Q4-P10	10
	2.5	6	8	12	22	4	5	45	2.5	8.8	578371	NPQH-DK-M5-Q6-P10	10
M7	3	4	9	9	20	5	-	-	3	5.1	578372	NPQH-DK-M7-Q4-P10	10
	3	6	9	12	23	5	6	45	3	9.7	578373	NPQH-DK-M7-Q6-P10	10
G thread with sealing ring													
G $\frac{1}{8}$	3	4	13	9	16.5	5	7	45	3	6.2	578374	NPQH-DK-G18-Q4-P10	10
	4	6	13	12	19.5	5	7.5	60	4	9.1	578375	NPQH-DK-G18-Q6-P10	10
	6	8	13	14	23.5	5	6	45	6	12.8	578376	NPQH-DK-G18-Q8-P10	10
G $\frac{1}{4}$	6	8	16	14	21.5	6.5	9	60	6	14.4	578377	NPQH-DK-G14-Q8-P10	10
	8.2	10	16	16	27.5	6.5	-	-	8	18.6	578378	NPQH-DK-G14-Q10-P10	10
G $\frac{3}{8}$	10.2	12	20	18	28.5	7	9.5	60	10	28.2	578379	NPQH-DK-G38-Q12-P10	10

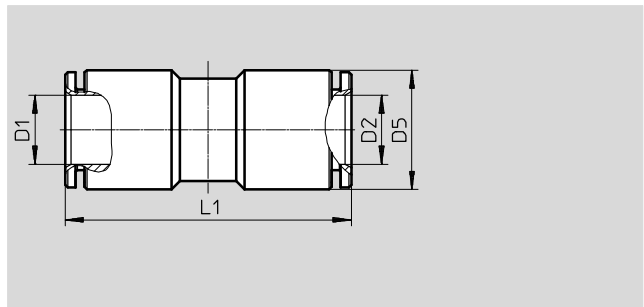
1) Packaging unit quantity

Push-in fittings NPQH

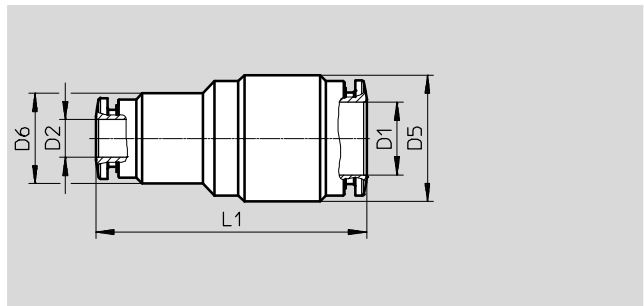
Technical data

FESTO

Push-in connector NPQH-D



Reducing



Dimensions and ordering data									
Tubing O.D.∅ D1	Nominal width [mm]	Tubing O.D.∅ D2	D5 ∅	D6 ∅	L1 ±1	Weight/ piece [g]	Part no.	Type	PU ¹⁾
4	3	4	9	–	28	7	578323	NPQH-D-Q4-E-P10	10
6	5	6	12	–	33.5	15.1	578324	NPQH-D-Q6-E-P10	10
8	7	8	14	–	34	18.5	578325	NPQH-D-Q8-E-P10	10
10	9	10	16	–	38.5	22.8	578326	NPQH-D-Q10-E-P10	10
12	11	12	19	–	41	37	578327	NPQH-D-Q12-E-P10	10
14	13	14	22	–	47	49.2	578328	NPQH-D-Q14-E-P10	10
Reducing									
6	3	4	12	12	31	14.9	578329	NPQH-D-Q6-Q4-P10	10
8	5	6	14	14	34	21.4	578330	NPQH-D-Q8-Q6-P10	10
12	7	8	19	14	39	32.5	578331	NPQH-D-Q12-Q8-P10	10
14	9	10	22	16	44.5	43.2	578332	NPQH-D-Q14-Q10-P10	10
14	11	12	22	19	44.5	45.8	578333	NPQH-D-Q14-Q12-P10	10

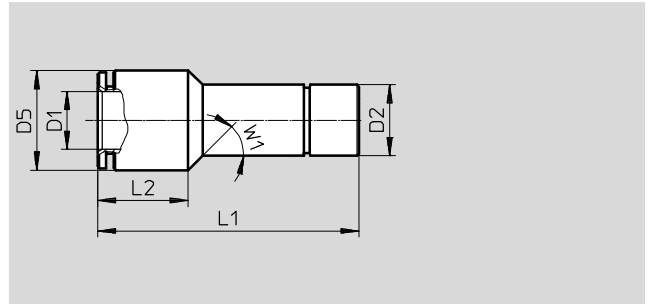
1) Packaging unit quantity

Push-in fittings NPQH

Technical data

FESTO

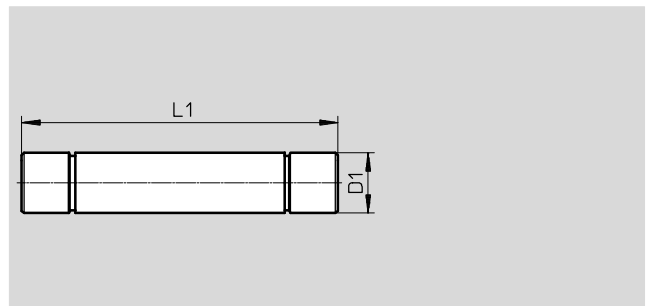
Push-in connector NPQH-D with push-in sleeve



Dimensions and ordering data										
Tubing O.D.∅ D1	Nominal width [mm]	Push-in sleeve ∅ D2	D5 ∅	L1	L2	W1	Weight/ piece [g]	Part no.	Type	PU ¹⁾
4	3	6	9	33.5	9.5	45	6.9	578304	NPQH-D-S6-Q4-P10	10
	3.5	8	9	33.5	10.5	45	10.4	578305	NPQH-D-S8-Q4-P10	10
	3.5	10	10	31.5	-	-	15.4	578307	NPQH-D-S10-Q4-P10	10
6	5	8	12	35	10.5	45	11.7	578306	NPQH-D-S8-Q6-P10	10
	5.5	10	12	36.5	11	45	16.8	578308	NPQH-D-S10-Q6-P10	10
	5.5	12	12	35.5	-	-	22.6	578310	NPQH-D-S12-Q6-P10	10
	5	14	14	37.5	-	-	35.7	578313	NPQH-D-S14-Q6-P10	10
8	7	10	14	37	10.5	45	15.1	578309	NPQH-D-S10-Q8-P10	10
	7	12	14	39	10.5	45	22.8	578311	NPQH-D-S12-Q8-P10	10
	7	14	14	38.5	-	-	31.1	578314	NPQH-D-S14-Q8-P10	10
10	9	12	16	42	12	45	20.5	578312	NPQH-D-S12-Q10-P10	10
	9	14	16	42	13	45	29.2	578315	NPQH-D-S14-Q10-P10	10
12	11	14	19	43	12.5	45	27.7	578316	NPQH-D-S14-Q12-P10	10

1) Packaging unit quantity

Push-in sleeve NPQH-D



Dimensions and ordering data						
Push-in sleeve ∅ D1	Nominal width [mm]	L1	Weight/ piece [g]	Part no.	Type	PU ¹⁾
4	2	35	2.8	578317	NPQH-D-S4-E-P10	10
6	4	40	5.1	578318	NPQH-D-S6-E-P10	10
8	6	42	7.6	578319	NPQH-D-S8-E-P10	10
10	8	50	12	578320	NPQH-D-S10-E-P10	10
12	10	53	16.1	578321	NPQH-D-S12-E-P10	10
14	12	54	19.1	578322	NPQH-D-S14-E-P10	10

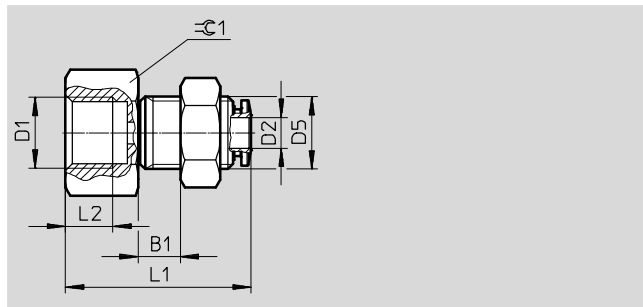
1) Packaging unit quantity

Push-in fittings NPQH

Technical data



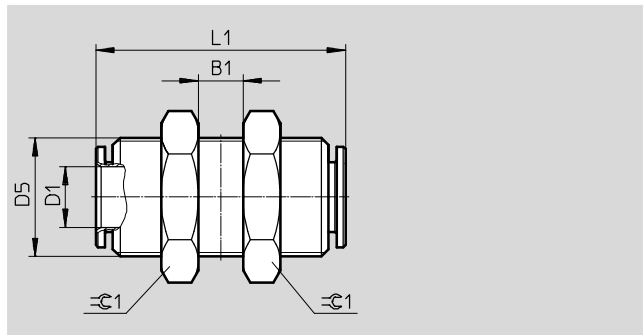
Push-in bulkhead fitting NPQH-H Internal thread with external hexagon



Dimensions and ordering data											
Connection	Nominal width [mm]	Tubing O.D. \varnothing	B1 max.	D5	L1 ± 0.5	L2	$\approx C1$	Weight/ piece [g]	Part no.	Type	PU ¹⁾
G thread with sealing ring											
G $\frac{3}{8}$	3	4	7	M12x1	23.5	7.5	16	24.6	578294	NPQH-H-G18F-Q4-P10	10
	5	6	10	M14x1	26.5	7.5	18	34.2	578295	NPQH-H-G18F-Q6-P10	10
	7	8	10	M16x1	26.5	7.5	20	42.3	578296	NPQH-H-G18F-Q8-P10	10
G $\frac{1}{4}$	5	6	10	M14x1	30.5	11	18	36.4	578297	NPQH-H-G14F-Q6-P10	10
	7	8	10	M16x1	30.5	11	20	46.5	578298	NPQH-H-G14F-Q8-P10	10

1) Packaging unit quantity

Push-in bulkhead connector NPQH-H



Dimensions and ordering data											
Tubing O.D. \varnothing	Nominal width [mm]	B1 max.	D5	L1	$\approx C1$	Weight/ piece [g]	Part no.	Type	PU ¹⁾		
4	3	11	M12x1	28	16	23.5	578299	NPQH-H-Q4-E-P10	10		
6	5	16	M14x1	34	18	34.6	578300	NPQH-H-Q6-E-P10	10		
8	7	17	M16x1	34	20	40.6	578301	NPQH-H-Q8-E-P10	10		
10	9	19	M18x1	39	22	52	578302	NPQH-H-Q10-E-P10	10		
12	11	20	M20x1	41	24	60.8	578303	NPQH-H-Q12-E-P10	10		

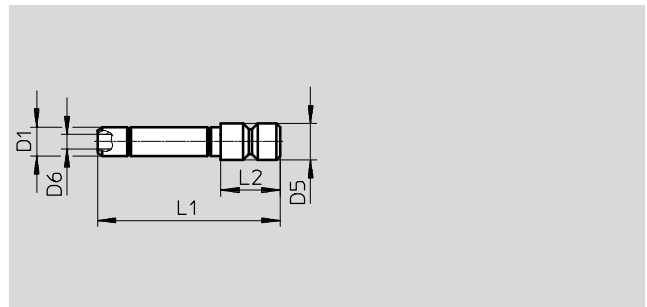
1) Packaging unit quantity

Push-in fittings NPQH

Technical data

FESTO

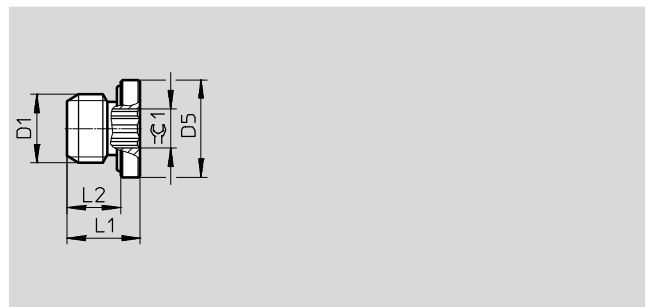
Blanking plug NPQH-P



Dimensions and ordering data								
Push-in sleeve \varnothing	D5	D6	L1	L2	Weight/ piece [g]	Part no.	Type	PU ¹⁾
D1	\varnothing	\varnothing	± 0.5					
4	5	–	25	9	2.3	578257	NPQH-P-S4-P10	10
6	6	3.5	25	9	3.9	578258	NPQH-P-S6-P10	10
8	8	5.5	30	9	7.4	578259	NPQH-P-S8-P10	10
10	10	7.5	35	12	12	578260	NPQH-P-S10-P10	10
12	12	9.5	40	12	18.5	578261	NPQH-P-S12-P10	10
14	14	11	40	12	26.5	578262	NPQH-P-S14-P10	10

1) Packaging unit quantity

Plug screw NPQH-BK



Dimensions and ordering data								
Connection	D5	L1	L2	$\approx \varnothing 1$	Weight/ piece [g]	Part no.	Type	PU ¹⁾
D1	\varnothing	max.						
M thread with sealing ring								
M5	8	5.5	4	2.5	0.8	578404	NPQH-BK-M5-P10	10
M7	9	7	5	3	2.1	578405	NPQH-BK-M7-P10	10
G thread with sealing ring								
G $\frac{1}{8}$	13	8.5	6	5	4.4	578406	NPQH-BK-G18-P10	10
G $\frac{1}{4}$	16	9.5	6.5	6	8.9	578407	NPQH-BK-G14-P10	10
G $\frac{3}{8}$	20	10	7	8	18.5	578408	NPQH-BK-G38-P10	10
G $\frac{1}{2}$	25	12	8.5	10	33	578409	NPQH-BK-G12	1

1) Packaging unit quantity

Push-in fittings NPQH

Technical data

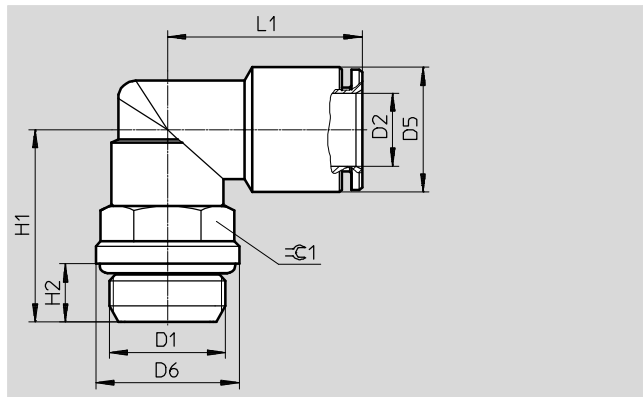
FESTO

Push-in L-fitting NPQH-L

360° orientable

External thread

with external hexagon



Dimensions and ordering data												
Connection	Nominal width	Tubing O.D. \varnothing	D5 \varnothing	D6 \varnothing	H1	H2	L1	$\approx \varnothing 1$	Weight/ piece [g]	Part no.	Type	PU ¹⁾
D1	[mm]	D2										
M thread with sealing ring												
M5	3	4	9	8	14	4	17.5	9	8.9	578276	NPQH-L-M5-Q4-P10	10
	3.5	6	12	8	14	4	20.5	9	12.2	578277	NPQH-L-M5-Q6-P10	10
M7	3	4	9	9	15	5	17.5	9	9.3	578278	NPQH-L-M7-Q4-P10	10
	4	6	12	9	15	5	17.5	9	12.5	578279	NPQH-L-M7-Q6-P10	10
G thread with sealing ring												
G $\frac{3}{8}$	3	4	9	13	18	5	19.5	13	16.3	578280	NPQH-L-G18-Q4-P10	10
	5	6	12	13	18	5	22	13	19.3	578281	NPQH-L-G18-Q6-P10	10
	5.5	8	14	13	18	5	22.5	13	22.2	578282	NPQH-L-G18-Q8-P10	10
G $\frac{1}{4}$	5	6	12	16	21.5	6.5	22	13	22.4	578283	NPQH-L-G14-Q6-P10	10
	5.5	8	14	16	21.5	6.5	22.5	13	25.8	578284	NPQH-L-G14-Q8-P10	10
	8.5	10	16	16	22	6.5	26	16	33.1	578285	NPQH-L-G14-Q10-P10	10
	11	12	19	16	25.5	6.5	28.5	20	59.6	578286	NPQH-L-G14-Q12-P10	10
G $\frac{3}{8}$	6	8	14	20	25.5	7	23	16	36.7	578287	NPQH-L-G38-Q8-P10	10
	8.5	10	16	20	25.5	7	26	16	38.2	578288	NPQH-L-G38-Q10-P10	10
	11	12	19	20	26	7	28.5	20	58.2	578289	NPQH-L-G38-Q12-P10	10
	12	14	22	20	26	7	32	20	62.4	578290	NPQH-L-G38-Q14-P10	10
G $\frac{1}{2}$	8.5	10	16	25	27.5	8.5	26	16	42.6	578291	NPQH-L-G12-Q10	1
	11	12	19	25	30.5	8.5	28.5	20	66.3	578292	NPQH-L-G12-Q12	1
	12	14	22	25	30.5	8.5	32	20	70.7	578293	NPQH-L-G12-Q14	1

1) Packaging unit quantity

Push-in fittings NPQH

Technical data

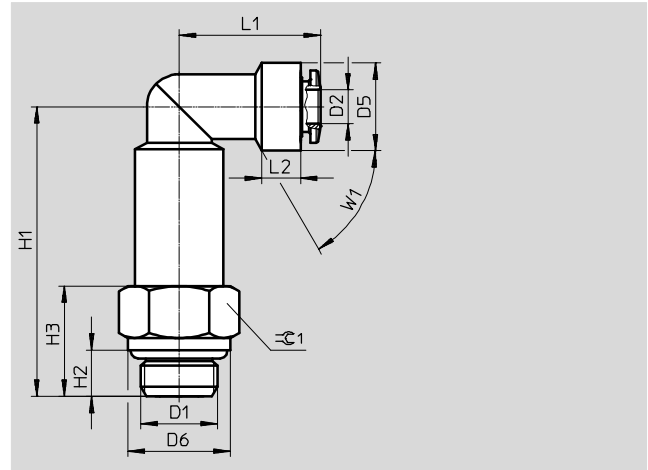
FESTO

Push-in L-fitting (long) NPQH-LL

360° orientable

External thread

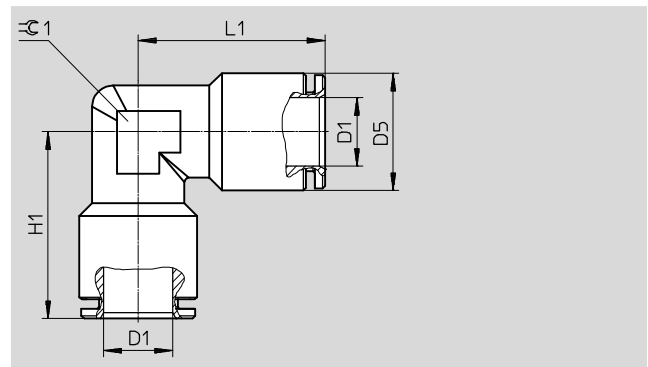
with external hexagon



Dimensions and ordering data															
Connection	Nominal width	Tubing O.D.∅	D5 ∅	D6 ∅	H1	H2	H3	L1	L2	W1	⌀1	Weight/ piece [g]	Part no.	Type	PU ¹⁾
D1	[mm]	D2	±0.5	±0.5	±1			±1							
G thread with sealing ring															
G ³ / ₈	3	4	9	13	29	5	9.5	19.5	-	-	13	25.7	578263	NPQH-LL-G18-Q4-P10	10
	5	6	12	13	32	5	9.5	22	10	45	13	31.1	578264	NPQH-LL-G18-Q6-P10	10
	6	8	14	13	34	5	9.5	22.5	11	30	13	36.1	578265	NPQH-LL-G18-Q8-P10	10
G ¹ / ₄	5	6	12	16	35.5	6.5	13	22	10	45	13	30.9	578266	NPQH-LL-G14-Q6-P10	10
	6	8	14	16	37.5	6.5	13	22.5	11	30	13	36.2	578267	NPQH-LL-G14-Q8-P10	10
	8.5	10	16	16	39	6.5	11.5	26	12	45	16	54.3	578268	NPQH-LL-G14-Q10-P10	10
G ³ / ₈	8.5	10	16	20	42.5	7	15	26	12	45	16	50.8	578269	NPQH-LL-G38-Q10-P10	10

1) Packaging unit quantity

Push-in L-connector NPQH-L



Dimensions and ordering data									
Tubing O.D.∅	Nominal size	D5 ∅	H1	L1	⌀1	Weight/ piece [g]	Part no.	Type	PU ¹⁾
D1	[mm]								
4	3	9	17.5	17.5	8	8.9	578270	NPQH-L-Q4-E-P10	10
6	5	12	20.5	20.5	10	17.2	578271	NPQH-L-Q6-E-P10	10
8	7	14	22.5	22.5	12	22.7	578272	NPQH-L-Q8-E-P10	10
10	9	16	25	25	14	29.2	578273	NPQH-L-Q10-E-P10	10
12	11	19	26.5	26.5	18	48.6	578274	NPQH-L-Q12-E-P10	10
14	12	22	31.5	31.5	18	61.3	578275	NPQH-L-Q14-E-P10	10

1) Packaging unit quantity

Push-in fittings NPQH

Technical data

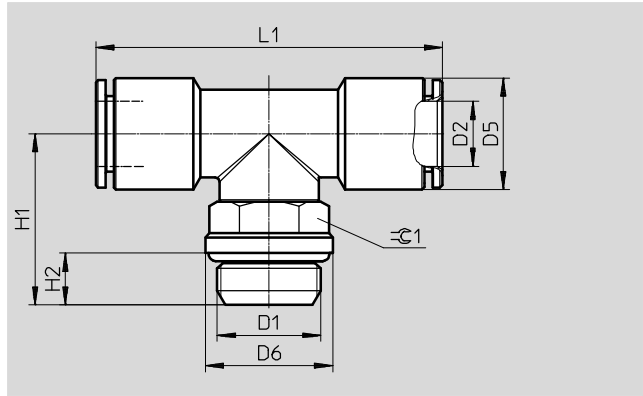
FESTO

Push-in T-fitting NPQH-T

360° orientable

External thread

with external hexagon



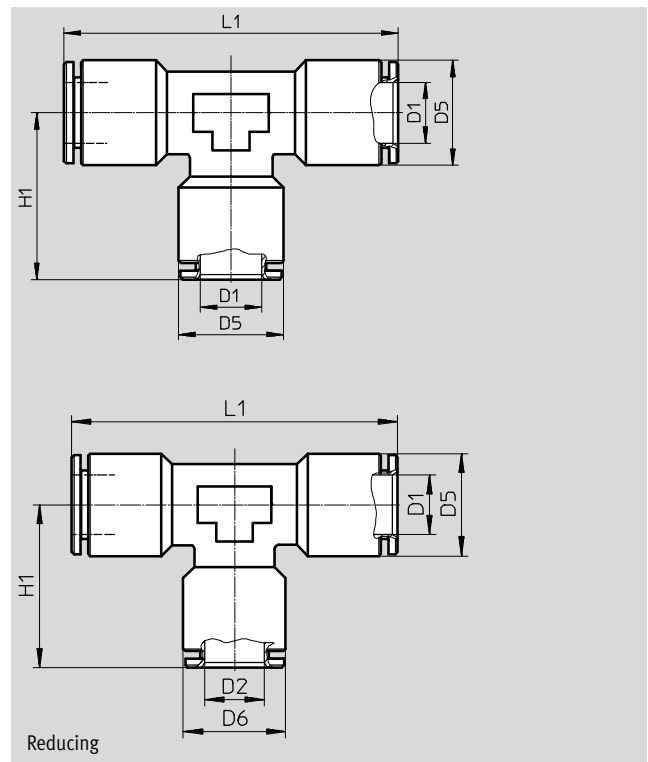
Dimensions and ordering data												
Connection	Nominal width	Tubing O.D. \varnothing	D5 \varnothing	D6 \varnothing	H1	H2	L1	$\approx C1$	Weight/ piece [g]	Part no.	Type	PU ¹⁾
D1	[mm]	D2										
M thread with sealing ring												
M5	3	4	9	8	14.5	4	35	9	13.9	578390	NPQH-T-M5-Q4-P10	10
	3	6	12	8	14.5	4	41	9	20.7	578391	NPQH-T-M5-Q6-P10	10
G thread with sealing ring												
G $\frac{1}{8}$	3	4	9	13	18	5	39	13	20.7	578392	NPQH-T-G18-Q4-P10	10
	5	6	12	13	18	5	44	13	25.2	578393	NPQH-T-G18-Q6-P10	10
	5.5	8	14	13	18	5	45	13	30.7	578394	NPQH-T-G18-Q8-P10	10
G $\frac{1}{4}$	5	6	12	16	21.5	6.5	44	13	29.9	578395	NPQH-T-G14-Q6-P10	10
	5.5	8	14	16	21.5	6.5	45	13	34.1	578396	NPQH-T-G14-Q8-P10	10
	8.5	10	16	16	22	6.5	52	16	44.4	578397	NPQH-T-G14-Q10-P10	10
	11	12	19	16	25.5	6.5	57	20	77.4	578398	NPQH-T-G14-Q12-P10	10
G $\frac{3}{8}$	6	8	14	20	25.5	7	46	16	46.7	578399	NPQH-T-G38-Q8-P10	10
	8.5	10	16	20	25.5	7	52	16	50.1	578400	NPQH-T-G38-Q10-P10	10
	11	12	19	20	26	7	57	20	75.9	578401	NPQH-T-G38-Q12-P10	10
G $\frac{1}{2}$	8.5	10	16	25	27.5	8.5	52	16	55.1	578402	NPQH-T-G12-Q10	1
	11	12	19	25	30.5	8.5	57	20	84.2	578403	NPQH-T-G12-Q12	1

1) Packaging unit quantity

Push-in fittings NPQH

Technical data

Push-in T-connector NPQH-T



Dimensions and ordering data										
Tubing O.D.∅ D1	Nominal width [mm]	Tubing O.D.∅ D2	D5 ∅	D6 ∅	H1	L1	Weight/ piece [g]	Part no.	Type	PU ¹⁾
4	3	-	9	-	17.5	35	12.5	578380	NPQH-T-Q4-E-P10	10
6	5	-	12	-	20	40	23.2	578381	NPQH-T-Q6-E-P10	10
8	7	-	14	-	21	42	28.6	578382	NPQH-T-Q8-E-P10	10
10	9	-	16	-	24.5	49	39.8	578383	NPQH-T-Q10-E-P10	10
12	11	-	19	-	26	52	63.2	578384	NPQH-T-Q12-E-P10	10
14	12	-	22	-	30.5	61	79.9	578385	NPQH-T-Q14-E-P10	10
Reducing										
6	3	4	12	9	18	40	20.9	578386	NPQH-T-Q6-Q4-P10	10
8	5	6	14	12	20.5	42	27.9	578387	NPQH-T-Q8-Q6-P10	10
10	7	8	16	14	23	49	39.6	578388	NPQH-T-Q10-Q8-P10	10
12	9	10	19	16	26	52	61.9	578389	NPQH-T-Q12-Q10-P10	10

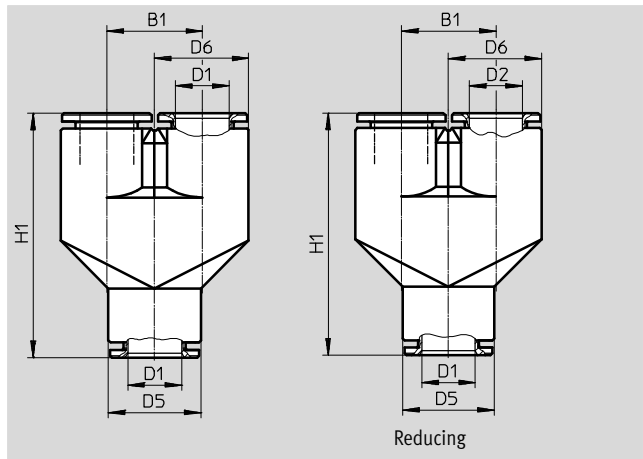
1) Packaging unit quantity

Push-in fittings NPQH

Technical data



Push-in Y-connector NPQH-Y



Dimensions and ordering data										
Tubing O.D.∅ D1	Nominal width [mm]	Tubing O.D.∅ D2	B1	D5 ∅	D6 ∅	H1	Weight/ piece [g]	Part no.	Type	PU ¹⁾
6	5.5	–	12.5	12	12.3	36	32	578410	NPQH-Y-Q6-E-P10	10
8	7.5	–	14.5	14	14.3	37.5	44.9	578411	NPQH-Y-Q8-E-P10	10
10	9.5	–	16.5	16	16.3	44.5	65.9	578412	NPQH-Y-Q10-E-P10	10
Reducing										
6	3.5	4	12.5	12	12.3	34	35.9	578413	NPQH-Y-Q6-Q4-P10	10
8	5.5	6	14.5	14	14.3	37.5	52.6	578414	NPQH-Y-Q8-Q6-P10	10
10	7.5	8	16.5	16	16.3	44	78.1	578415	NPQH-Y-Q10-Q8-P10	10

1) Packaging unit quantity