

- > **Port size: G1/8**
- > **System pressure (unit bar, psi, Mpa, KPa, kgf/cm<sup>2</sup>, mmHg, InHg or mmH<sub>2</sub>O) selectable**
- > **High accuracy and resolution**
- > **Switching status indicated by LED**
- > **Output: 2 x PNP or 2 x NPN**
- > **Versions with analogue output signal on request**



### Technical features

#### Medium:

Compressed air, filtered, lubricated or non-lubricated

#### Pressure range:

-1 ... 10 bar (-14,5 ... 145 psi)  
 -1 ... 1 bar (-14,5 ... 14,5 psi)

#### Display:

3 1/2 digit LED

#### Mounting position:

Optional

#### Repeatability (switch output):

≤ ±0,2% of full scale (FS) ±1 digit - without temperature sensitivity

#### Response time:

±2,5 ms

#### Shockproof:

100 g (980 m/s<sup>2</sup>), xyz

#### Vibrationproof:

88 g, 10 - 55 Hz, xyz

#### Degree of protection acc. to DIN 40050:

IP65 (with mounted dust proof protector)

#### Weight:

83g

#### Temperature sensitivity:

≤ 2% of full scale (FS) of detected pressure (+25°C, +77°F)

#### Ambient/Media temperature:

0 ... +50°C (32 ... +122°F)

#### Storage temperature:

-20 ... +60°C (-4 ... +140°F)

No condensation or freezing

Air supply must be dry enough

to avoid ice formation at

temperature below +2°C (+35°F)

FS = full scale

#### Materials:

Body: PC

### Electronical parameters

#### Electrical connection:

M12 x 1

#### Power supply:

12 ... 24 V d.c.

24 V d.c. (PNP) maximum

30 V d.c. (NPN) maximum

#### Residual voltage:

≤ 1 V (load current 80 mA)

#### Permissible residual ripple:

10% or less (P-P)

#### Current consumption:

≤ 50 mA

#### Load current:

80 mA maximum (with output short circuit protection)

#### Switching mode:

PNP or NPN

#### Indicator:

Green LED (OUT1),

Red LED (OUT2)

#### Insulation resistance:

50 MΩ min (at 500 V d.c.

(between case and lead wire))

#### Electromagnetic compatibility:

According to EN 61326-1

### Technical data

Symbol	Port size	Switching pressure range		Over pressure *1)		Output signal	Model
		(bar)	(psi)	(bar)	(psi)		
	G1/8	-1 ... 10	-14,5 ... 145	15	217	2 x PNP	0860810
	G1/8	-1 ... 10	-14,5 ... 145	15	217	2 x NPN	0860815
	G1/8	-1 ... 1	-14,5 ... 14,5	3	43	2 x PNP	0860820
	G1/8	-1 ... 1	-14,5 ... 14,5	3	43	2 x NPN	0860825


\*1) Short-term pressure peaks are not allowed to exceed this limit value during operation. Operative utilization of the limit value is not permitted.

The limit value corresponds to the maximum testing pressure.

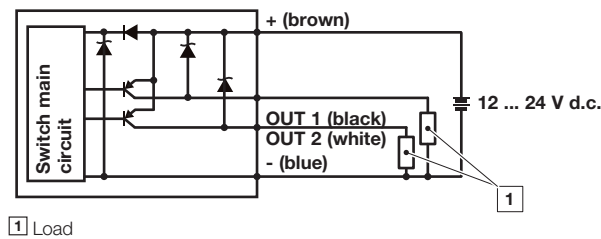
Accessories

<p><b>Mounting bracket (wall mounting)</b></p>  <p>Page 3 0860000</p>	<p><b>Mounting bracket (bottom mounting)</b></p>  <p>Page 3 0860001</p>	<p><b>Panel mounting kit</b></p>  <p>Page 3 0860002 + 0860003</p>	<p><b>Mounting (DIN rail clip)</b></p>  <p>Page 4 0860007</p>	<p><b>ISO G - Expanding connector G1/8 ... G1/4</b></p>  <p>Page 4 160231828</p>
--	--	--	--	---

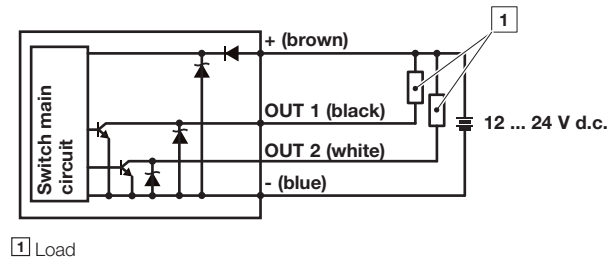
Electrical connection M12 x 1

	PIN-No.	Signal	Cable
	1	+ UB	brown
	2	Out 2	white
	3	-	blue
	4	Out 1	black

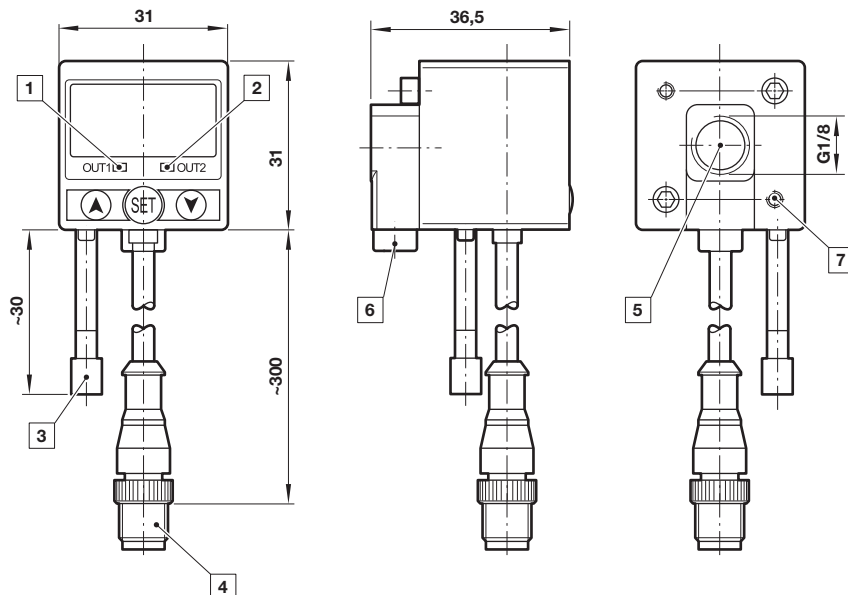
PNP



NPN



Drawing - Pressure switch



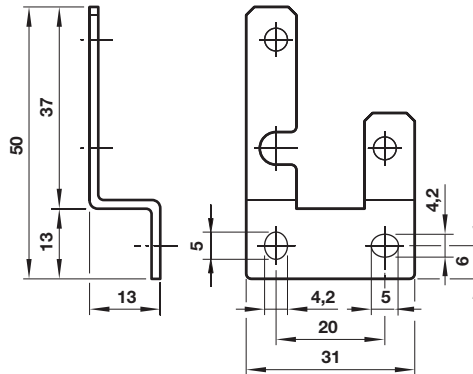
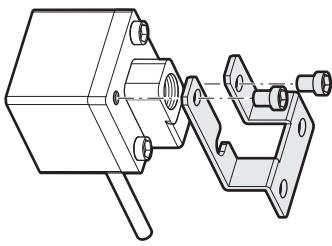
Dimensions in mm  
Projection/First angle



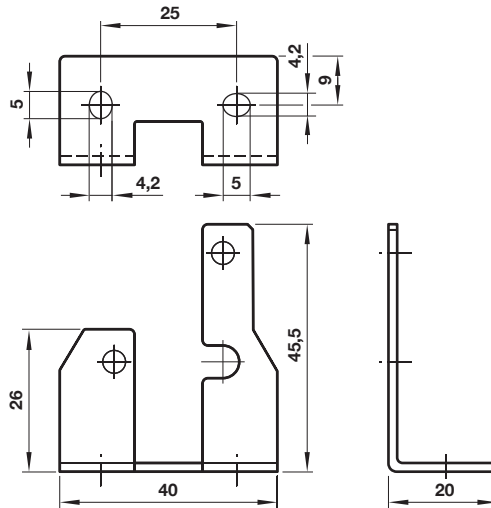
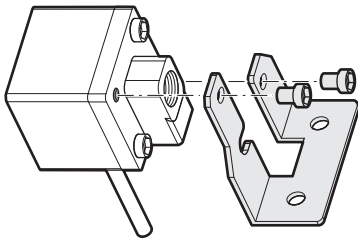
- 1 Switch OUT 1, green LED
- 2 Switch OUT 2, red LED
- 3 Dustproof protector
- 4 Connector M12 x 1
- 5 Inlet port
- 6 Alternative inlet port G1/8 plugged
- 7 Thread for mounting screw

**Drawing - Mounting bracket (wall mounting)**

Dimensions in mm  
Projection/First angle

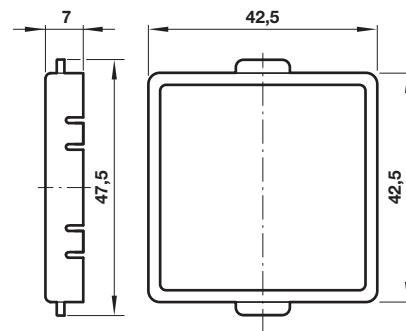
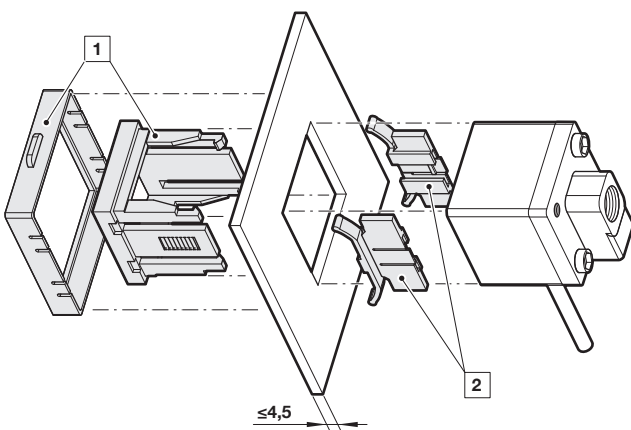


**Drawing - Mounting bracket (bottom mounting)**

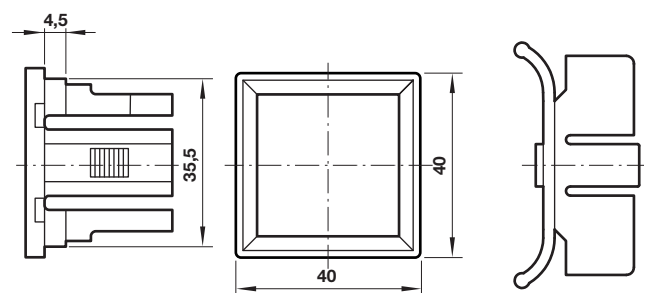


**Drawing - Panel mounting kit**

**Drawing - Front protective lid**

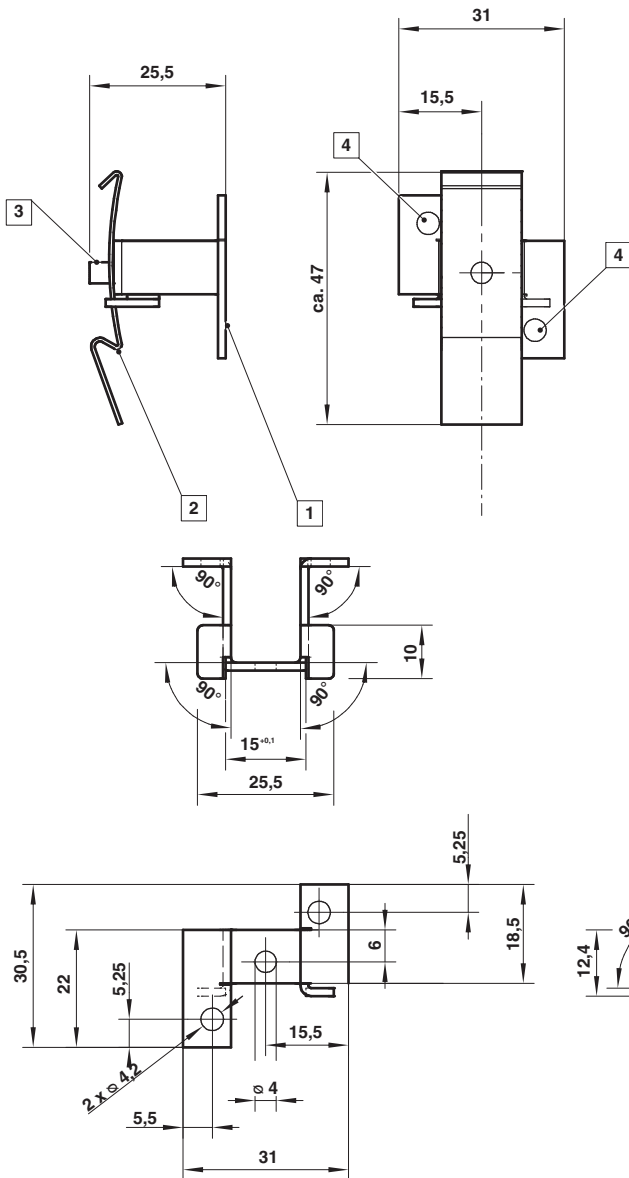


**Drawing - Panel adapter**

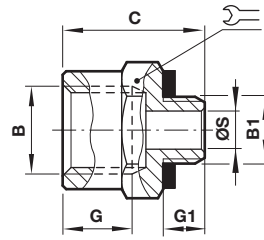



- 1 Front protection lid + Panel adaptor (0860003)
- 2 Safety adaptors (0860002)

**Drawing - Mounting (DIN rail clip)**



**Drawing - Expanding connector**



B	B1	C	G	G1	ØS		Model
G1/4	G1/8	20,5	12	6	5,5	17	160231828

- 1 Mounting angel
- 2 DIN-Mounting bracket
- 3 Fastening screw
- 4 Fastening screw (pressure switch)

**Warning**

These products are intended for use in industrial compressed air systems only. Do not use these products where pressures and temperatures can exceed those listed under »**Technical features/data**«. Before using these products with fluids other than those specified, for non-industrial applications, life-support systems or other applications not within published specifications, consult IMI Precision Engineering, Norgren GmbH.

Through misuse, age, or malfunction, components used in fluid power systems can fail in various modes. The system designer is warned to consider the failure modes of all component parts used in fluid power systems and to provide adequate safeguards to prevent personal injury or damage to equipment in the event of such failure.

System designers must provide a warning to end users in the system instructional manual if protection against a failure mode cannot be adequately provided.

System designers and end users are cautioned to review specific warnings found in instruction sheets packed and shipped with these products.