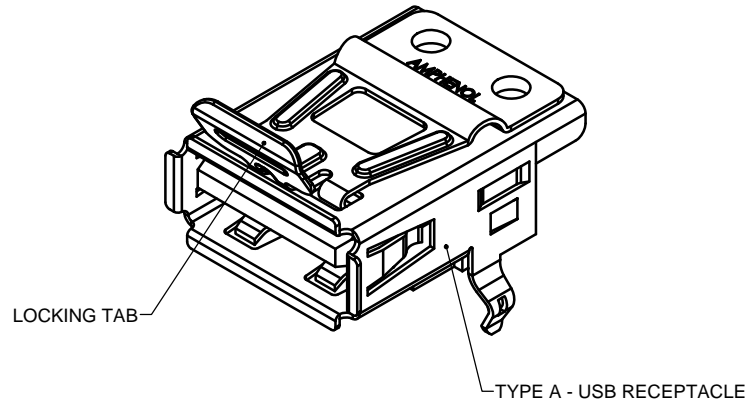
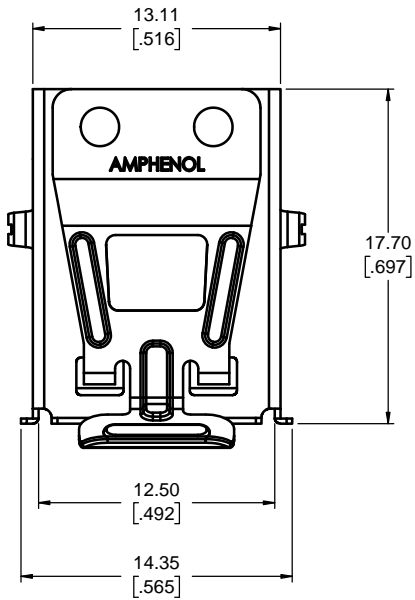
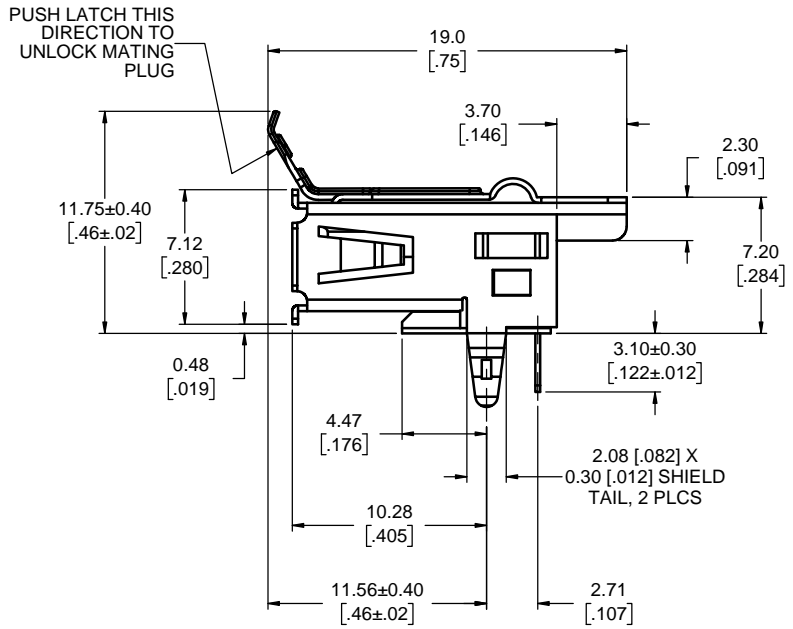
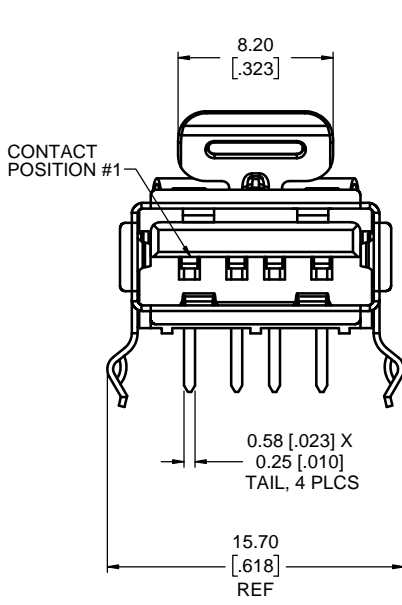


REVISIONS			
REV	DESCRIPTION, ECN, EAR NO.	DATE	APP'D
D	PRODUCT DRAWING (EAR 14417)	MAR10/16	K.L.
E	PRODUCT DRAWING (EAR 14417)	NOV24/16	K.L.



USB 2.0 STANDARD-A CONNECTOR PIN ASSIGNMENTS		
PIN NUMBER	SIGNAL NAME	DESCRIPTION
1	VBUS	POWER
2	D-	USB 2.0 DIFFERENTIAL PAIR
3	D+	
4	GND	GROUND FOR POWER RETURN
SHELL	Shield	CONNECTOR METAL SHELL



**NOTES:**

- MATERIAL:
  - SHELL: NICKEL PLATED COPPER ALLOY
  - HOUSING: HIGH TEMPERATURE THERMOPLASTIC UL94V-0, COLOR - BLACK.
  - CONTACTS: PHOSPHOR BRONZE, PLATED WITH 0.76µm (30µ") GOLD OVER NICKEL ON MATING AREA & MATTE TIN ON SOLDER TAILS
  - LOCKING TAB: STAINLESS STEEL
- FEATURE: POSITIVE LOCK ON TYPE A, USB RIGHT ANGLE RECEPTACLE, WORKS WITH ANY STANDARD USB 2.0 TYPE A PLUG
- LOCKING RETENTION FORCE: 50 N (11.2 Lbf) MINIMUM
- OPERATING TEMPERATURE: -40°C TO +85°C.
- CURRENT RATING: 1.5 AMPERES
- ALL MATERIALS USED FOR CONNECTOR AND PACKAGING ARE RoHS COMPLIANT PER EU DIRECTIVE 2011/65/EU AND AMENDMENTS.

**AMPHENOL PART NUMBER: LUSB-A111-00**

UNLESS SPECIFIED OTHERWISE	DRAWN LAWRENCE KIM	OCT19/07
PRIMARY UNITS MILLIMETERS	CHECKED LAWRENCE KIM	OCT19/07
SECONDARY INCHES	M.E. APP'D	
REFERENCE IN PARENTHESES	Q.A. APP'D	
GENERAL TOLERANCES	DWG APPR.	
1 DECIMAL PLACE ±0.4	ENG. REL. NO.	EAR 14211
2 DECIMAL PLACES ±0.25	REF.	
3 DECIMAL PLACES		
ANGULAR DEGREES	THIRD ANGLE PROJECTION	DO NOT SCALE DRAWING

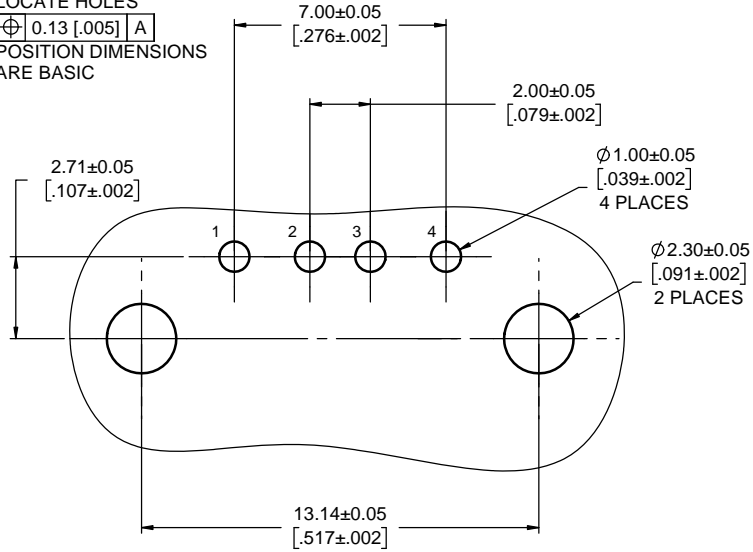
**Amphenol Canada Corp.**  
www.amphenolcanada.com  
LUSB SERIES, USB 2.0 TYPE A RECEPTACLE WITH POSITIVE LOCKING LATCH, RIGHT ANGLE PCB TAIL, RoHS COMPLIANT

**P-LUSB-A111-00**

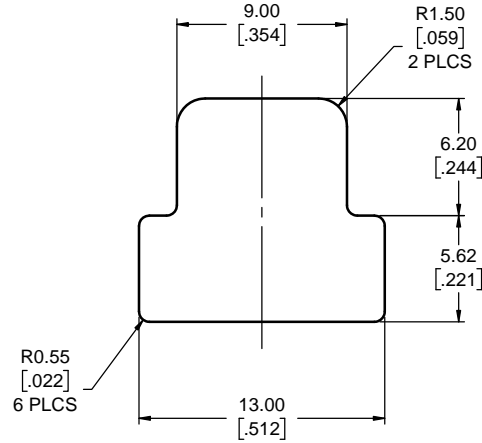
CODE ID NO. 03554 DWG SIZE: X SCALE: 4:1 SHEET 1 OF 2

REVISIONS			
REV	DESCRIPTION, ECN, EAR NO.	DATE	APP'D
D	PRODUCT DRAWING (EAR 14417)	MAR10/16	K.L.
E	PRODUCT DRAWING (EAR 14417)	NOV24/16	K.L.

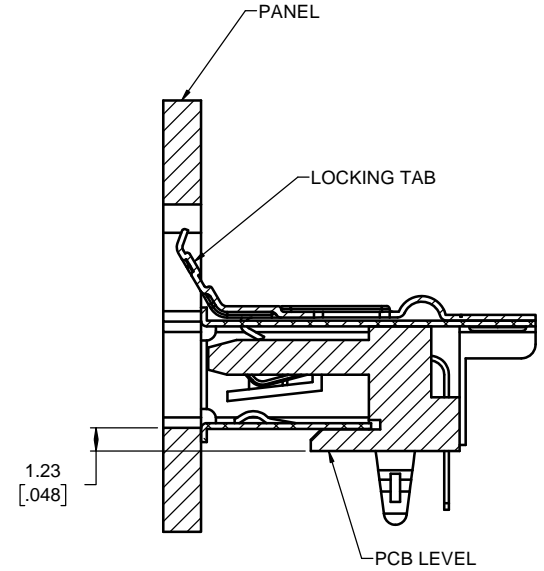
LOCATE HOLES  
 $\varnothing 0.13$  [.005] A  
 POSITION DIMENSIONS  
 ARE BASIC



RECOMMENDED PCB LAYOUT



RECOMMENDED PANEL CUT-OUT



SECTION THROUGH PANEL CUT-OUT



UNLESS SPECIFIED OTHERWISE	DRAWN LAWRENCE KIM	OCT19/07
PRIMARY UNITS MILLIMETERS	CHECKED LAWRENCE KIM	OCT19/07
SECONDARY INCHES	M.E. APP'D	
REFERENCE IN PARENTHESES	Q.A. APP'D	
GENERAL TOLERANCES	DWG APPR.	
1 DECIMAL PLACE $\pm 0.4$	ENG. REL. NO.	EAR 14211
2 DECIMAL PLACES $\pm 0.25$	REF.	
3 DECIMAL PLACES	THIRD ANGLE PROJECTION	
ANGULAR DEGREES	DO NOT SCALE DRAWING	

**Amphenol Canada Corp.**  
[www.amphenolcanada.com](http://www.amphenolcanada.com)  
 LUSB SERIES, USB 2.0 TYPE A  
 RECEPTACLE WITH POSITIVE  
 LOCKING LATCH, RIGHT ANGLE  
 PCB TAIL, RoHS COMPLIANT

DWG. NO. **P-LUSB-A111-00** REV **E**

CODE ID NO. 03554 DWG SIZE: X SCALE: 5:1 SHEET 2 OF 2