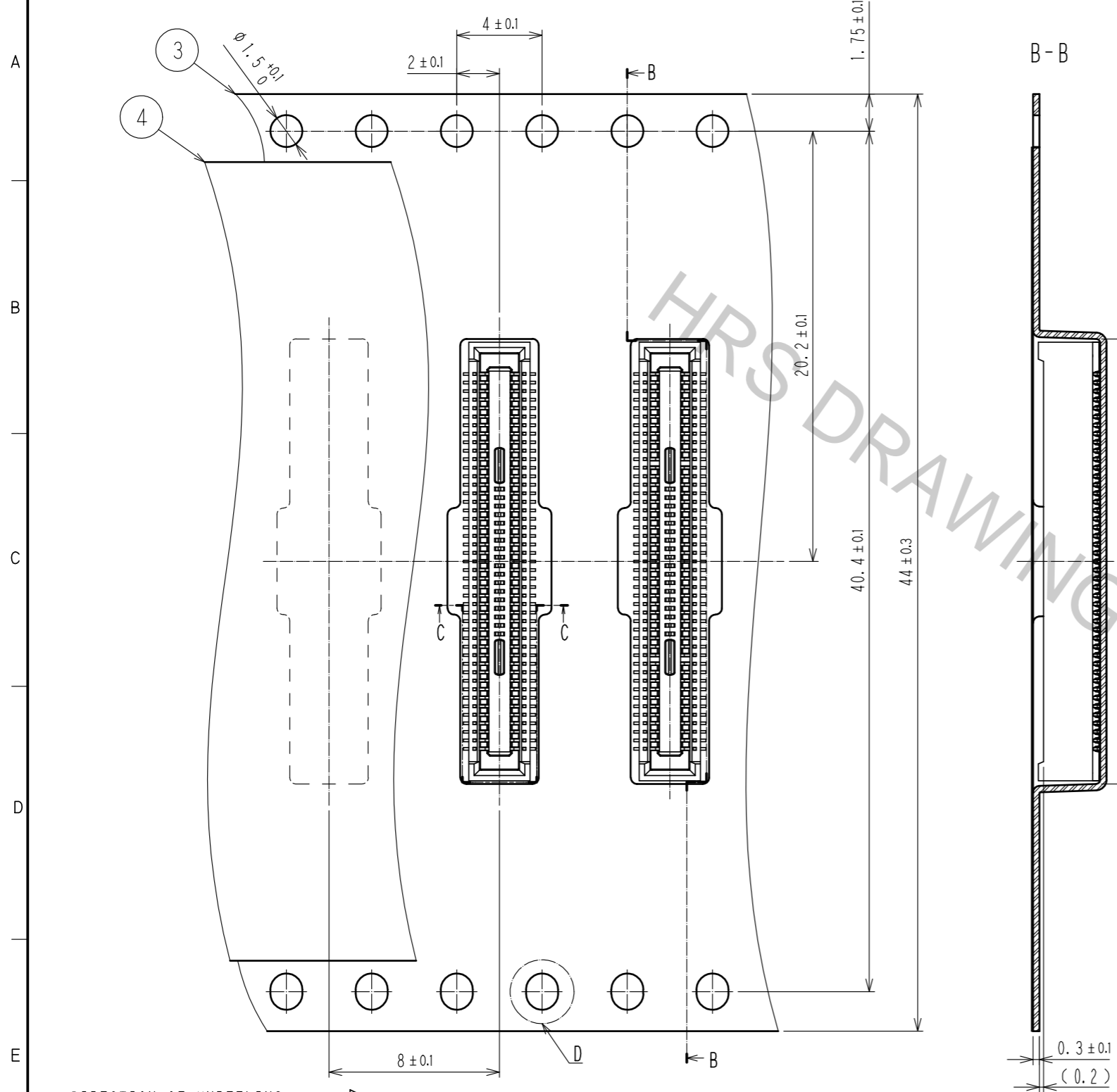


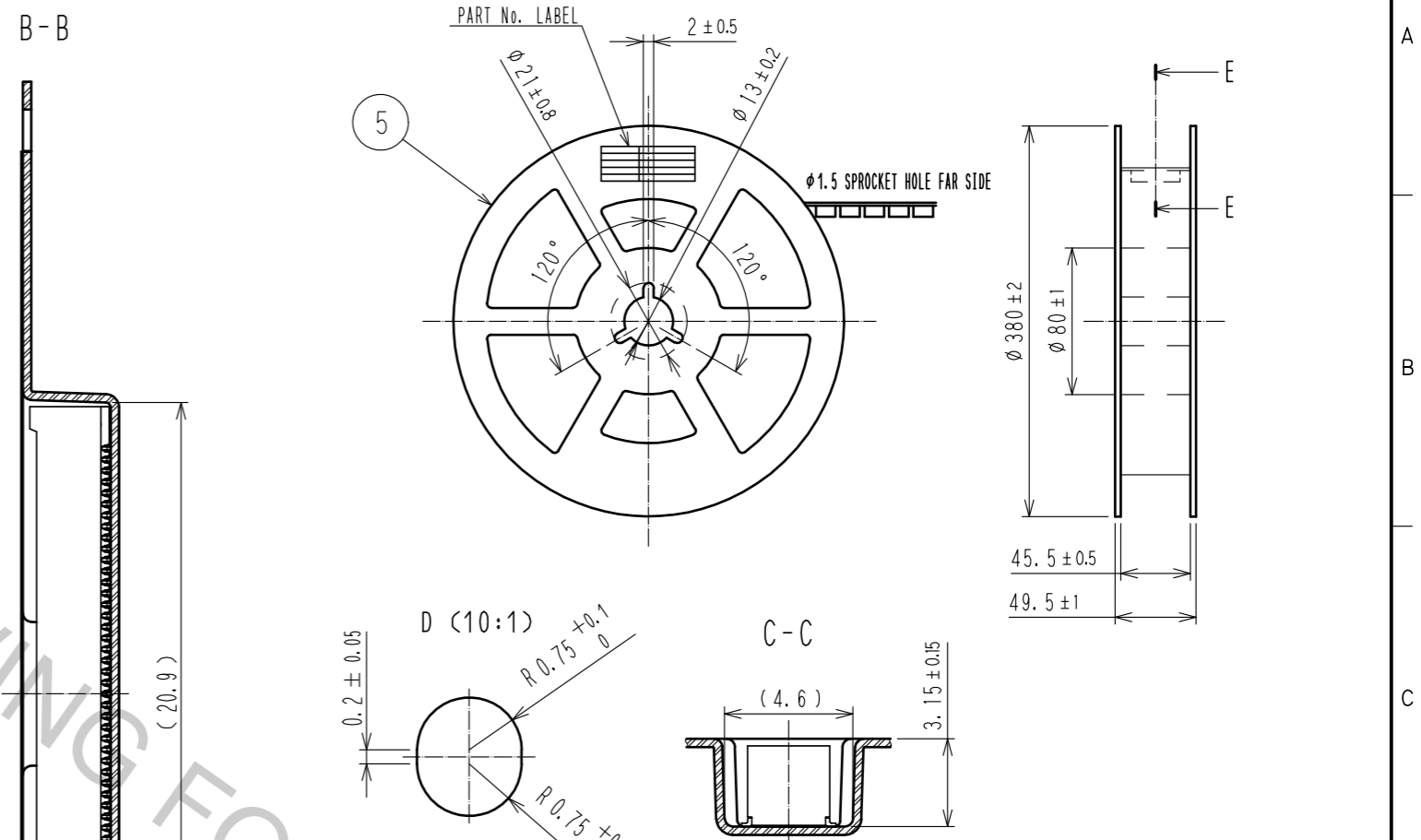
- NOTES) 1. ALL LEADS CO-PLANARITY SHALL BE 0.1mm MAX.
 2. IS NO PATTERN AREA OTHER THAN THE SAME CIRCUIT.
 3. HRS MARK AND CAV NO. ARE INDICATED IN APPROXIMAL POSITION SHOWN.

2	PHOSPHOR BRONZE	CONTACT AREA:GOLD $0.05 \mu\text{m}$ MIN SMT LEAD:GOLD $0.05 \mu\text{m}$ MIN UNDERPLATING:NICKEL $1 \mu\text{m}$ MIN	6	PS	CLEAR, REINFORCEMENT COLLAR		
			5	PS	BLACK, PLASTIC REEL		
			4	POLYESTER	CLEAR, COVER TAPE		
1	LCP	BLACK, UL94V-0	3	PS	CLEAR, EMBOSSED CARRIER TAPE		
NO.	MATERIAL	FINISH, REMARKS	NO.	MATERIAL	FINISH, REMARKS		
UNITS		SCALE	COUNT	DESCRIPTION OF REVISIONS	DESIGNED	CHECKED	DATE
mm		10:1					
HRS HIROSE ELECTRIC CO., LTD.		APPROVED: MO. ISHIDA	16.03.30	DRAWING NO. EDC-337746-58-01			
		CHECKED: TS. MIYAZAKI	16.03.30	PART NO. DF40HC(3.0)-90DS-0.4V(58)			
		DESIGNED: SH. HOSODA	16.03.30	CODE NO. CL684-4161-4-58			
		DRAWN: KR. AJITO	16.03.30	1/2			

EMBOSSED CARRIER TAPE DIMENSIONS (FREE)



STYLE AND DIMENSION OF REEL (FREE)

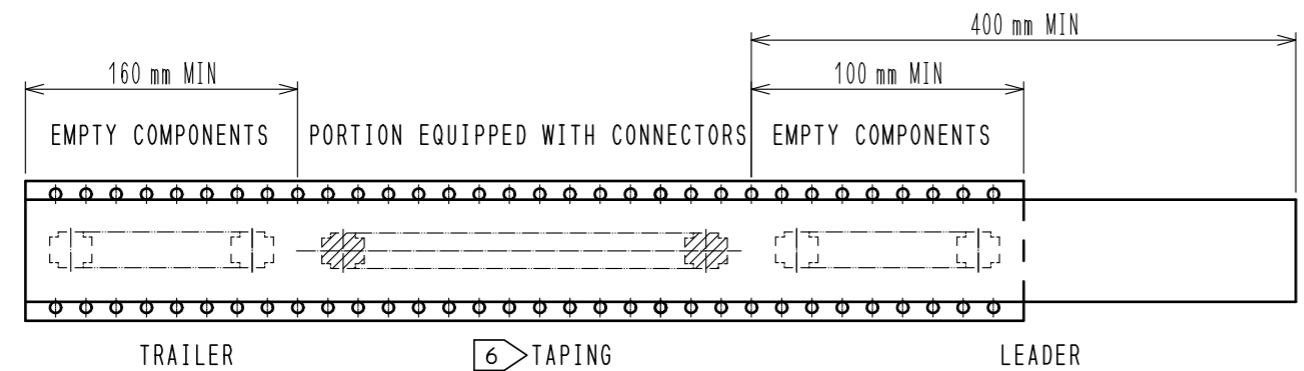


7) DETAIL OF PART No. LABEL

製造年月日	** ** *
製品コード	CL684-4161-4-58
製品名	DF40HC(3.0)-90DS-0.4V(58)
数量	1000
納入者	ヒロセ電機(株)

- NOTES
- 4. PER REEL 1000 CONNECTORS.
 - 5. THE DIMENSIONS IN PARENTHESES ARE FOR REFERENCE.
 - 6. REFER TO JIS C 0806(IEC 60286-3)(PACKING OF COMPONENTS FOR AUTOMATIC HANDLING)
 - 7. DETAIL OF PART NO. LABEL IS WRITTEN IN JAPANESE. PART NO. LABEL DESCRIBES THE FOLLOWING INFORMATION FROM TOP.
 PRODUCTION DATE:
 PRODUCT CODE: CL684-4161-4-58
 PART NUMBER: DF40HC(3.0)-90DS-0.4V(58)
 NUMBER OF PIECES: 1000 PIECES
 SUPPLIER NAME: HIROSE ELECTRIC CO., LTD.
 - 8. AFTER PACKAGING, ROLL 2 METERS OF THE REINFORCEMENT COLLAR TO OUTER CIRCUMFERENCE OF TAPE AND REEL POCKET, AND TAPE DOWN AT THE END THE COLLAR.

DIRECTION OF UNREELING →



HRS	DRAWING NO.	EDC-337746-58-01
	PART NO.	DF40HC(3.0)-90DS-0.4V(58)
	CODE NO.	CL684-4161-4-58
		2/2