

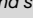




Fuse holder terminal blocks with screwed plugs for 10,3 x 38 mm 13/32 x 1 1/2 in. and DO1 - DO2 fuses

Compression clamp




 **DIN 1 - DIN 3**

End stop		th. 9,1 mm	BADL	V0	0199 408.02
End stop		th. 9,1 mm	BAM		0103 002.26
Other end stops : See Accessories section					
Rail		35 x 7,5 x 1	PR30	prepunched	0173 220.05
Rail		35 x 15 x 2,3	PR4		0168 500.12
Rail		35 x 15 x 1,5	PR5	prepunched	0101 598.26
Other rails : See Accessories section					

Notes

The use of some accessories may decrease the block's voltage rating. For more information, consult us.

Accessories

-  **1** Standard jumper bar
-  **2** IDC jumper
-  **3** Fuse 10,3 x 38 mm 500 V

Fuse DO1 380 V

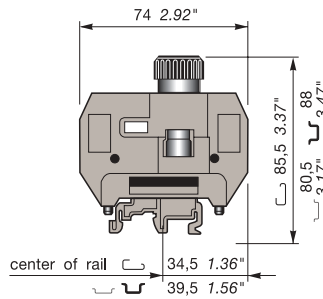
Fuse DO2 380 V



R See section on markers marking method

MB 10/24.SF...

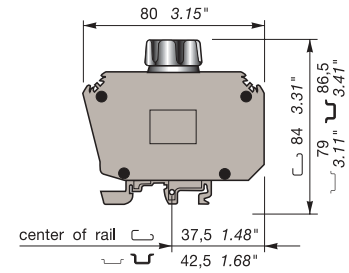
Spacing 24 mm (.950")



24 mm closed thermoset block for 10,3 x 38 and DO1 fuses.


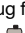
MB 25/30.SF


Spacing 30 mm (1.180")



30 mm closed block for DO2 fuses.

			
---	---	---	---

Color	Type	Part numbers
Grey / white plug for 10,3 x 38 13/32 x 1 1/2 fuses		MB 10/24.SF 0116 299.20
Grey / black plug for DO1 fuses		MB 10/24.SF1 0116 298.27

Color	Type	Part numbers
Grey / black plug for DO2 fuses		MB 25/30.SF 0116 305.26

Characteristics

Wire size	NFC DIN		UL	CSA
	Compression	Solid wire	18-8 AWG	18-6 AWG
clamp	Stranded wire	0,5-10 mm ²	18-8 AWG	18-6 AWG

Characteristics

Wire size	NFC DIN		UL	CSA
	Compression	Solid wire	63 A	
clamp	Stranded wire	0,75-25 mm ²	63 A	

Voltage			
Rated	750 Gr.C (1)	600 V	600 V
Pulse			
Pollution degree			
Current			
Rated	32 A	35 A	30 A
Wire size			
Rated / Gauge	10 mm ²	8 AWG	6 AWG
Wire stripping length	Recomm. screwdriver	Recomm. torque	Protection
13 mm .51"	6 mm .236"	1,2-1,4 Nm 10.6-12.3 lb.in	IP 10

Voltage			
Rated	750 Gr.C (1)		
Pulse			
Pollution degree			
Current			
Rated	63 A		
Wire size			
Rated / Gauge	25 mm ²		
Wire stripping length	Recomm. screwdriver	Recomm. torque	Protection
10 mm .394"	8 mm .315"	2-2,5 Nm 17.4-21.7 lb.in	IP 10

Type			Part numbers
BJS24	30 A	10 poles	0167 856.21
AD2,5	24 A		0114 205.20
FU103		STD	Slow.Blow
	0,5 A		0167 086.11
	1 A		0167 087.12
	2 A	0167 076.26	0167 088.23
	4 A	0167 077.27	0167 089.24
	6 A	0167 078.00	0167 090.21
	8 A	0167 079.01	0167 091.16
	10 A	0167 080.27	0167 092.17
	12 A	0167 081.14	0167 093.10
	16 A	0167 082.15	0167 094.11
	20 A	0167 083.16	0167 095.12
	25 A	0167 084.17	
	32 A	0167 085.10	
FUD1		DO1	Gauge
	2 A	0167 848.01 pink	0167 844.25
	4 A	0167 849.02 brown	0167 845.26
	6 A	0167 850.07 green	0167 846.27
	10 A	0167 851.24 red	0167 847.20
	16 A	0167 852.25	

Type			Part numbers
BJS24	30 A	10 poles	0167 856.21
AD2,5	24 A		0114 205.20
FUD2		DO2	Gauge
	20 A	0174 072.21 blue	0174 094.10
	25 A	0174 073.22 yellow	0174 095.11
	35 A	0174 074.23 black	0174 104.27
	50 A	0174 075.24 white	0174 105.20
	63 A	0174 076.25	

(6) Sides of block

(17) Sides of block (26)

Note : (1) Insulation voltage of terminal block - operating voltage : In accordance with fuse rating.