

Features

- Light Weight
- Low Friction
- Clean Design
- Adjustable Cushion
- Long Lasting Quality
- Aluminium Piston
- ISO 15552 / 6431

RS PRO Pneumatic Piston Rod Cylinder

RS Stock No: 0727197



RS PRO is the own brand of RS. The RS PRO Seal of Approval is your assurance of professional quality, a guarantee that every part is rigorously tested, inspected, and audited against demanding standards. Making RS PRO the Smart Choice for our customers.

Main advantages

- International Standards Conformity
- PU seal low friction and long lasting
- Wide range
- Wide selection of materials

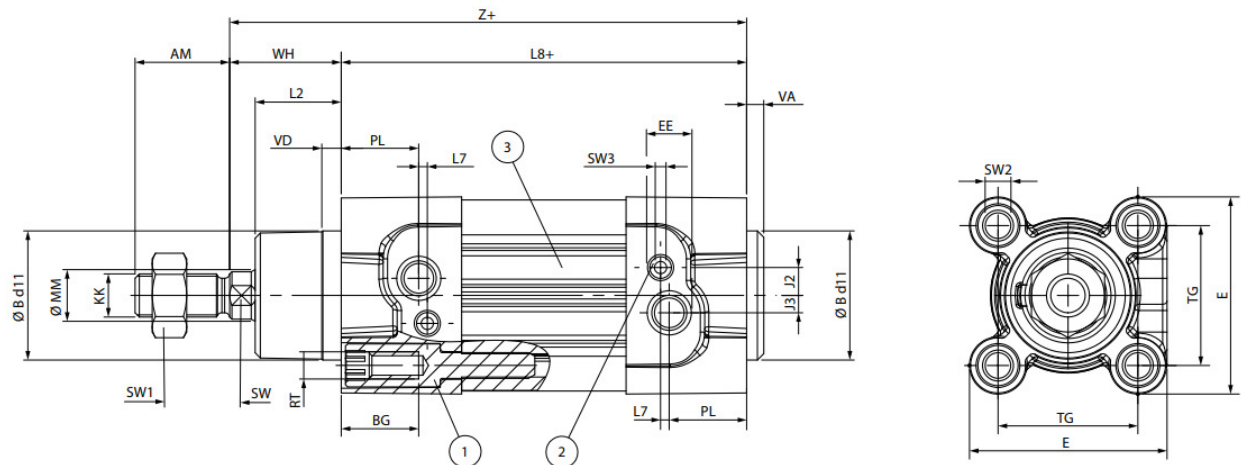
Applications

- Pneumatic Automation, Robotics, Handling
- Automotive Process
- Textile, Packaging, Heavy Duty
- Food Process

Fluid Compatibility:

- Filtered and lubricated compressed air as well as non-lubricated air.

Specifications & Drawings



Specifications

Manufacturing Series	RS PRO L Series
----------------------	-----------------

Action	Double acting cushioned magnetic
Bore Ø (mm)	40
Stroke (mm)	50
Length (Z+AM) (mm)	159
Piston Rod Thread Gender	Male
Maximum Operating Pressure	10 Bar
Absolute Maximum Pressure	10 Bar
Working Pressure Range	1-10 Bar
Working Temperature Range	-20 °C to +80 °C
Cushioning Type	Magnetic
ØB d11 (mm)	35
VD (mm)	10.5
VA (mm)	4
L2 (mm)	22
WH (mm)	30
Ø MM (mm)	16
SW (mm)	13
KK (mm)	M12X 1.25
AM (mm)	24
SW1 (mm)	19
Z (mm)	135
L8 (mm)	105
BG (mm)	18
RT	M6
SW2 (mm)	6
E (mm)	54
TG (mm)	38
EE	G 1/4
PL (mm)	17.5
J3 (mm)	3.5
J2 (mm)	8
L7 (mm)	5.8
SW3 (mm)	2.5



CARATTERISTICHE TECNICHE
 TECHNICAL CHARACTERISTICS
 TECHNISCHE ANGABEN
 CARACTÉRISTIQUES TECHNIQUES
 CARACTERÍSTICAS TÉCNICAS
 CARACTERÍSTICAS TÉCNICAS





Fluidi compatibili

Aria compressa filtrata lubrificata e non lubrificata.

Fluids

Filtered and lubricated compressed air as well as non lubricated air.

Geeignete Medien

Gefilterte geölte und nicht geölte Druckluft.

Fluides compatibles

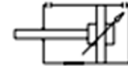
Air comprimé filtré, lubrifié ou non lubrifié.

Fluidos compatibles

Aire comprimido filtrado lubricado y no lubricado.

Fluidos compatíveis

Ar comprimido filtrado e lubrificado ou não lubrificado.



Alesaggi

Bores

Durchmesser

Diamètres

Diámetros

Diâmetros

32 - 40 - 50 - 63 - 80 - 100 - 125 mm



Funzionamento

Semplice effetto magnetico o non magnetico. Doppio effetto ammortizzato magnetico o non magnetico, stelo singolo o passante. Tandem.

Functioning

Single acting magnetic or non-magnetic. Double cushioned acting single or double end rod, magnetic or non-magnetic. Tandem.

Funktion

Einfachwirkend magnetisch oder nicht magnetisch. Doppelwirkend einseitig oder durchgehende Kolbenstange, magnetisch oder nicht magnetisch, gedämpft. Tandemzylinder.

Exécutions

Simple effet Magnétique ou non-Magnétique. Double effet Magnétique ou non-Magnétique, tige de piston simple ou traversante. Amortisseur Tandem.

Funcionamiento

Simple efecto magnético o no magnético. Doble efecto amortiguado magnético o no magnético vástago simple o pasante. Tandem.

Funcionamento

Simple ação magnética ou não-magnética. Dupla ação com amortecimento, magnético ou não-magnético, haste simples ou passante Tandem.



Temperature NBR

Temperatures NBR

Temperatur NBR

Températures NBR

Temperaturas NBR

Temperaturas NBR

0 °C (-20 °C con aria secca)

(-20 °C with dry air)

(-20 °C mit trockener Luft)

(-20 °C avec air sec)

(-20 °C con aire seco)

(-20 °C com ar seco)

+ 80 °C



Corse Standard

Standard Strokes

Standardhub

Courses standards

Carreras Standard

Cursos Padrão

from 25 to 1000 mm

Corse a richiesta: fino a 2700 mm

Strokes on Demand: Up to 2700 mm

Auf Anfrage: Bis 2700 mm

Course sur demande: Jusqu'à 2700 mm

Carreras bajo Demanda: Hasta 2700 mm

Cursos sob encomenda: Até 2700 mm



Pressioni

Pressures

Druckbereich

Pressions

Pressões

Pressões

1 bar (0.1 MPa)

10 bar (1 MPa)

Pressione di spunto: 0,3 bar (0.03 MPa)

Starting pressure: 0,3 bar (0.03 MPa)

Schaumdruck: 0,3 bar (0.03 MPa)

Pression de démarrage: 0,3 bar (0.03 MPa)

Presión de arranque: 0,3 bar (0.03 MPa)

Pressão de partida: 0,3 bar (0.03 MPa)



Sensori consigliati

Sensors recommended

Empfohlene Sensoren

Capteurs recommandés

Sensores recomendados

Sensores aconselhados

DT

Approvals

Declarations	MFR Declaration of Conformity
Standards Met	ISO 15552 / 6431