



# SERIES 1930 - DOUBLE-POLE ROCKER SWITCHES IP 65

TO 20 (4) A 250 V AC



## PRODUCT FEATURES

- Illuminated and non-illuminated variants with various switching functions
- IP 65 with integrated gasket for high dust and water protection
- Inrush current (capacitive) up to 120 A
- Approval for 400 V
- 100 million times proven switching principle
- Modern rocker design
- High, flexible variety

## ON REQUEST


- Other switching functions (e.g. Changeover switch)
- Other terminal types
- Other colors
- Other printing variants
- Other lamp variants
- Cable assembly

<b>Mechanical life endurance</b>	5E4
<b>Operating force</b>	3 - 8 N
<b>Inrush current (capacitive)</b>	120 A 100 A (basic type 1939) 50 A (basic type 1934)
<b>Contact resistance (new condition)</b>	< 100 mOhm (1 A 12 V DC)
<b>Insulation resistance (new condition)</b>	> 100 MOhm (500 V DC)
<b>Proof tracking</b>	250 PTI
<b>Protection type</b>	IP 40 (terminal side), IP 65 (actuating side)
<b>Ambient temperature</b>	terminal side -30 °C ... +105 °C actuating side -30 °C ... +55 °C
<b>Flammability</b>	UL 94 V-2 UL 94 V-0 (housing and socket only)
<b>Glow wire test temperature</b>	850 °C
<b>Material</b> actuator housing terminals	PC / TPU (bellows) PA silver plated
<b>Plug force of the terminals</b>	≤ 80 N
<b>Approval marks</b>	
<b>Suitable for appliances of protection class II</b>	



# SERIES 1930 - DOUBLE-POLE ROCKER SWITCHES IP 65

TO 20 (4) A 250 V AC


 double-pole		ON / OFF switch (DPST)														
Lighting voltage (V)		1935.3135	1935.3137	1935.3112	1935.3113	1935.3114	1935.3118	1935.3119	1935.3129	1935.3134	1935.3128	1935.3131	1935.3138	1932.1113	1932.3112	1932.3113
Actuator color / printing																
Housing color																
20 (4) A 250 V AC 1E4		<input type="radio"/>	<input type="radio"/>	<input type="radio"/>	<input type="radio"/>	<input type="radio"/>	<input type="radio"/>	<input type="radio"/>	<input type="radio"/>	<input type="radio"/>	<input type="radio"/>	<input type="radio"/>	<input type="radio"/>	<input type="radio"/>	<input type="radio"/>	<input type="radio"/>
12 (4) A 250 V AC 1E4																
10 (8) A 400 V AC 5E4		<input type="radio"/>	<input type="radio"/>													
10 (8) A 250 V AC 5E4		<input type="radio"/>	<input type="radio"/>	<input type="radio"/>	<input type="radio"/>	<input type="radio"/>	<input type="radio"/>	<input type="radio"/>	<input type="radio"/>	<input type="radio"/>	<input type="radio"/>	<input type="radio"/>		<input type="radio"/>	<input type="radio"/>	<input type="radio"/>
10 A 12 V DC													<input type="radio"/>			
6 (4) A 250 V AC 5E4																
16 A 250 V AC 1 HP		<input type="radio"/>	<input type="radio"/>	<input type="radio"/>	<input type="radio"/>	<input type="radio"/>	<input type="radio"/>	<input type="radio"/>	<input type="radio"/>	<input type="radio"/>	<input type="radio"/>	<input type="radio"/>		<input type="radio"/>	<input type="radio"/>	<input type="radio"/>
16 A 125 V AC 3/4 HP		<input type="radio"/>	<input type="radio"/>	<input type="radio"/>	<input type="radio"/>	<input type="radio"/>	<input type="radio"/>	<input type="radio"/>	<input type="radio"/>	<input type="radio"/>	<input type="radio"/>	<input type="radio"/>		<input type="radio"/>	<input type="radio"/>	<input type="radio"/>
16 A 125 V AC 1/3 HP												<input type="radio"/>				
14 A 250 V AC 3/4 HP																
14 A 250 V AC 1/2 HP																
14 A 125 V AC 1/3 HP																
14 A 125 V AC 1/4 HP																
12 A 250 V AC 1 HP																
12 A 125 V AC 1/2 HP																
Terminal type																
Terminal description		6.3	6.3	6.3	6.3	6.3	6.3	6.3	6.3	6.3	6.3	6.3	6.3	4.8	6.3	6.3
Contact distance (mm)		Ag ≥ 3	Ag ≥ 3	Ag ≥ 3	Ag ≥ 3	Ag ≥ 3	Ag ≥ 3	Ag ≥ 3	Ag ≥ 3	Ag ≥ 3	Ag ≥ 3	Ag ≥ 3	Ag ≥ 3	Ag ≥ 3	Ag ≥ 3	Ag ≥ 3
Contact material		Ag	Ag	Ag	Ag	Ag	Ag	Ag	Ag	Ag	Ag	Ag	Ag	Ag	Ag	Ag
EN 60335 cap. 30 conform "G"																
Miscellaneous								bellows anthracite								
Stock version				<input checked="" type="radio"/>	<input checked="" type="radio"/>	<input checked="" type="radio"/>	<input checked="" type="radio"/>								<input checked="" type="radio"/>	

ROCKER SWITCHES  
 PUSHBUTTON SWITCHES  
 TOGGLE SWITCHES  
 SLIDE SWITCHES  
 ROTARY SWITCHES  
 FOOT SWITCHES  
 TACT AND KEY SWITCHES  
 SMP-ACTION SWITCHES  
 MICRO-SIGNAL SWITCHES  
 SENSORS  
 ECO  
 PUSH N' DRIVE



# SERIES 1930 - DOUBLE-POLE ROCKER SWITCHES IP 65

TO 20 (4) A 250 V AC

 double-pole		ON / OFF switch (DPST)								Normally closed contact (DPNC)		Normally open contact (DPNO)												
Lighting voltage (V)	Actuator color / printing	Housing color	20 (4) A 250 V AC 1E4	12 (4) A 250 V AC 1E4	10 (8) A 400 V AC 5E4	10 (8) A 250 V AC 5E4	10 A 12 V DC	6 (4) A 250 V AC 5E4	16 A 250 V AC 1 HP	16 A 125 V AC 3/4 HP	16 A 125 V AC 1/3 HP	14 A 250 V AC 3/4 HP	14 A 250 V AC 1/2 HP	14 A 125 V AC 1/3 HP	14 A 125 V AC 1/4 HP	12 A 250 V AC 1 HP	12 A 125 V AC 1/2 HP	Terminal type	Terminal description	Contact distance (mm)	Contact material	EN 60335 cap. 30 conform "G"	Miscellaneous	Stock version
			○	○	○	○	○	○	○	○	○							U	6.3	Ag ≥ 3	Ag			
			○	○	○	○	○	○	○	○	○							U	6.3	Ag ≥ 3	Ag			
			○	○	○	○	○	○	○	○	○							U	6.3	Ag ≥ 3	Ag			
			○	○	○	○	○	○	○	○	○							U	6.3	Ag ≥ 3	Ag	○		
			○	○	○	○	○	○	○	○	○							U	6.3	Ag ≥ 3	Ag	○	bellows white	
			○	○	○	○	○	○	○	○	○							U	6.3	Ag ≥ 3	Ag	○	bellows red	
			○	○	○	○	○	○	○	○	○							U	6.3	Ag ≥ 3	Ag	○	single-pole occupied	
																		U	6.3	Ag ≥ 3	Ag			
																		U	6.3	Ag ≥ 3	Ag			
																		U	6.3	Ag ≥ 3	Ag	○	250	
																		U	6.3	Ag ≥ 3	Ag	○		

ROCKERSWITCHES

PUSHBUTTON SWITCHES

TOGGLE SWITCHES

SLIDE SWITCHES

ROTARY SWITCHES

FOOT SWITCHES

TACT AND KEY SWITCHES

SNAP-ACTION SWITCHES

MIKRO-SIGNALSCHALTER

SENSORS

ECO

PUSH'N'DRIVE



# SERIES 1930 - DOUBLE-POLE ROCKER SWITCHES IP 65

TO 20 (4) A 250 V AC

<p>double-pole</p>		Changeover switch (DPDT)			Changeover switch with OFF position in the center (DPDT - Center OFF)													
Lighting voltage (V)		1934.3112	1934.3114	1934.2114	1939.3119	1939.3125	1939.3312	1939.3314	1939.3318	1939.0454								
Actuator color / printing																		
Housing color																		
20 (4) A 250 V AC 1E4																		
12 (4) A 250 V AC 1E4																		
10 (8) A 400 V AC 5E4																		
10 (8) A 250 V AC 5E4		<input type="checkbox"/>	<input type="checkbox"/>															
10 A 12 V DC																		
6 (4) A 250 V AC 5E4				<input type="checkbox"/>														
16 A 250 V AC 1 HP																		
16 A 125 V AC 3/4 HP																		
16 A 125 V AC 1/3 HP																		
14 A 250 V AC 3/4 HP						<input type="checkbox"/>												
14 A 250 V AC 1/2 HP																		
14 A 125 V AC 1/3 HP						<input type="checkbox"/>												
14 A 125 V AC 1/4 HP																		
12 A 250 V AC 1 HP		<input type="checkbox"/>	<input type="checkbox"/>	<input type="checkbox"/>														
12 A 125 V AC 1/2 HP		<input type="checkbox"/>	<input type="checkbox"/>	<input type="checkbox"/>														
Terminal type																		
Terminal description		6.3	6.3		6.3	6.3	6.3	6.3	6.3	6.3								
Contact distance (mm)		Ag ≥ 3	Ag ≥ 3	Ag ≥ 3	Ag ≥ 3	Ag ≥ 3	Ag < 3	Ag < 3	Ag < 3	Ag < 3	Au < 3							
Contact material		Ag	Ag	Ag	Ag	Ag	Ag	Ag	Ag	Ag	Au							
EN 60335 cap. 30 conform "G"																		
Miscellaneous							momentary function both sides	momentary function both sides	momentary function both sides	momentary function both sides	single-pole occupied momentary function both sides							
Stock version					<input type="checkbox"/>		<input type="checkbox"/>	<input type="checkbox"/>	<input type="checkbox"/>									

ROCKER SWITCHES  
PUSHBUTTON SWITCHES  
TOGGLE SWITCHES  
SLIDE SWITCHES  
ROTARY SWITCHES  
FOOT SWITCHES  
TACT AND KEY SWITCHES  
SMAP-ACTION SWITCHES  
MICRO-SIGNAL SWITCHES  
SENSORS  
ECO  
PUSH N'DRIVE

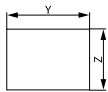


# SERIES 1930 - DOUBLE-POLE ROCKER SWITCHES IP 65

TO 20 (4) A 250 V AC

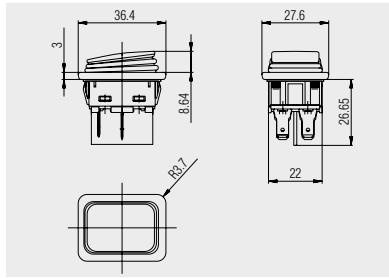


Basic types 1932, 1934, 1935 and 1939 double-pole

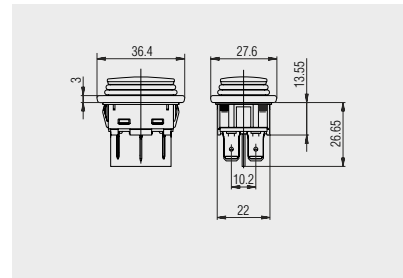


X = Wall thickness

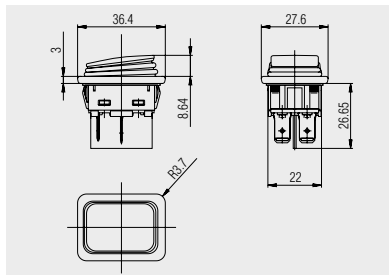
x	y	z
0.75 ... 1.25	30 <sup>-0.1</sup>	22 <sup>+0.2</sup>
1.25 ... 3	30.2 <sup>-0.1</sup>	22 <sup>+0.2</sup>



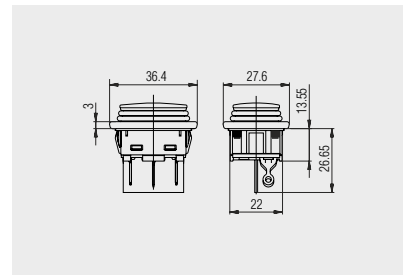
Quick-connect terminal 4.8 x 0.8 basic type 1932



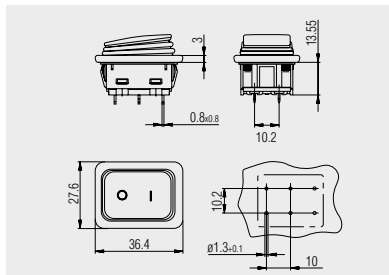
Quick-connect terminal 6.3 x 0.8 basic type 1939



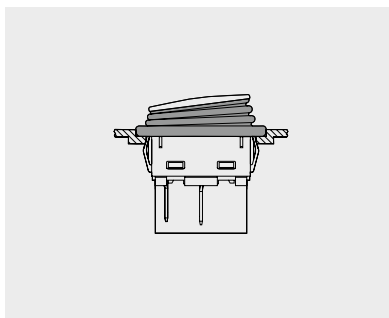
Quick-connect terminal 6.3 x 0.8 basic types 1932, 1934 and 1935



Solder terminal basic type 1939



PCB terminal basic type 1934



Sunken installation recommended for IP 65

A correct assembly and examination on tightness according to IP 65 in the equipment must be ensured by the customer.



Block connector  
217.954.011

Block connector for cable connection for the double-pole versions of the rocker switch series 1830 und 1930.

Used with the standard timer plug AMP 0-927 936-1

THIS DRAWING IS THE EXCLUSIVE PROPERTY OF MARQUARDT GMBH. WITHOUT THEIR CONSENT IT MAY NOT BE REPRODUCED OR GIVEN TO THIRD PARTIES.

CONFIDENTIAL

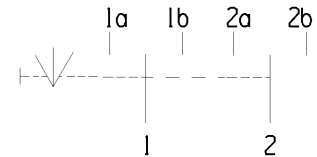
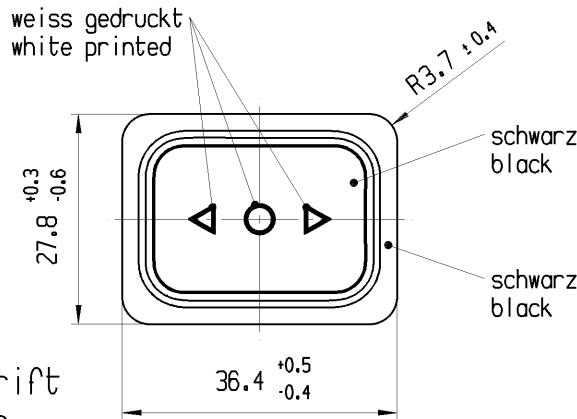
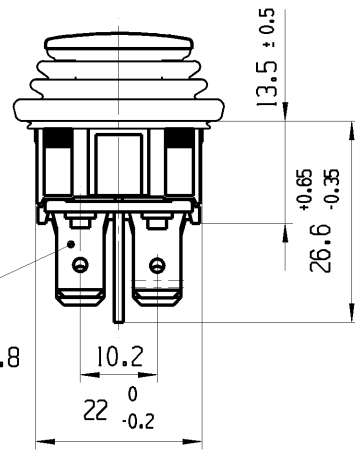
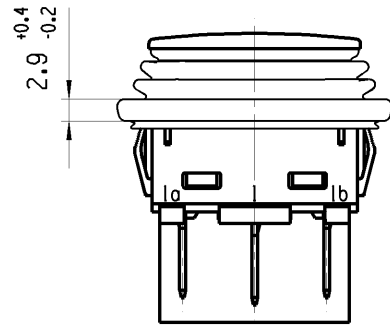
VERTRAULICH

Alle Rechte bei Marquardt GmbH, auch fuer den Fall von Schutzrechtsverletzungen. Jede Verfuugungsbezugnis, wie Kopier- und Weitergaberecht, bei uns.

1	2	3	4
Empfohlener Ausschnitt fuer Rastbefestigung (Grat gegenueber Bestueckungsseite recommended cut-out for snap-in fixing (edge opposite to snap-in direction))	Wanddicke wall thickness	Ausschnittlaenge length of cut-out	Ausschnittbreite width of cut-out
	0.75 bis / to 1.25 1.25 bis / to 2	30 <sup>-0.1</sup> 30.2 <sup>-0.1</sup>	22 <sup>+0.2</sup> 22 <sup>+0.2</sup>

Die in unseren Unterlagen angegebene IP Schutzklasse bezieht sich auf die Betaetigungsseite des Schalters, wenn dieser in das Kundengerat eingebaut ist. Die Abdichtung zwischen Schalter und Kundengerat kann ueber die umlaufende Dichtlippe der Betaetigungskappe erfolgen. Die Montage in das Kundengerat und die Pruefung auf Dichtheit an dieser Stelle erfolgen kundenseitig. Schalter mit beschaedigten Betaetigungskappen muessen sofort ausgetauscht werden.

The IP-protection class mentioned in our documents refers to the actuating side of the switch when mounted into the customer appliance. The sealing between switch and customer appliance is realizable through the surrounding sealing lip of the actuating cap. The mounting into the customer appliance and the testing of the tightness have to be effected by the customer. Switches with damaged actuating caps have to be replaced immediately.



Aufschrift  
Marking

193..  
12141250 ~ μ  
T105/55

05

14A 125-250V AC  
1/4 HP 125V AC  
1/2 HP 250V AC  
R186



Umschalter 2-polig  
Ausstellung in der Mitte  
Tastfunktion beidseitig  
Fuer Gerate der Klasse II geeignet

DPDT  
with centre-off  
biased from both side  
suitable for appliances of class II

Herstellort/-jahr/-woche nach DIN EN 60062  
code of manufacture: place/year/week acc. to DIN EN 60062

fuer Form und Lage FOR SHAPE AND LOC.	☉ =	Allgemeintoleranzen UNTOLERANCED DIMENSIONS				Pause COPY	Blatt SHEET 01	TYP K	Zeichn./DRAWING NO. 19393314	Index a
	fuer Winkel FOR ANGLE ± 2	PROJEKTION	Abmasse und Nennmassbereiche Angaben in mm	Laenge LENGTH	Radien RADIUS					
			0-6 ± 0.15 ± 0.2	>6-15 ± 0.2 ± 0.3	>15-30 ± 0.25 ± 0.5					
			ALL DIMENSIONS ARE IN MILLIMETRES	>30-70 ± 0.4	>70-120 ± 0.6	± 10%				
				>120-200 ± 1						
						CAD: NX v4.0				GERAETESCHALTER appliance switch
a	59141	14.07.08	VOR			gez./DRAWN BY 14.07.08 VOR				MARQUARDT
	40315	10.05.04	HHE			gepr./CHECKED BY KOV				
Ausg. ISSUE	Aenderung REVISION	gez. DRAWN BY	Ausg. ISSUE	Aenderung REVISION	gez. DRAWN BY	Ersatz fuer/REPLACEMENT OF Zng.gl.Nr. vom 10.5.04				