



Brand of NTN Group

Technical data

SUCFL206CO

Bearing units

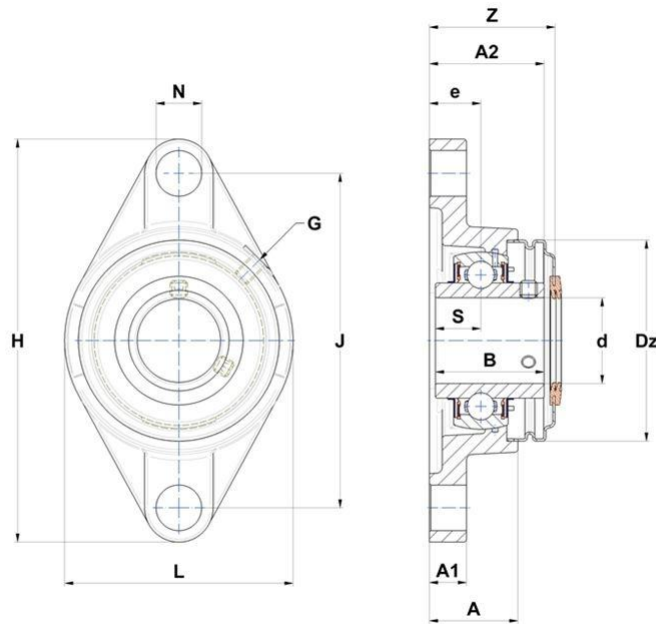


Stainless steel cast housing, stainless steel insert ball bearing with socket set screws, seal with slinger, food grease

KIT CONTENT

SUC206, SCO206-30, SFL206N

VISUAL (S)



PRODUCT DEFINITION

Brand	SNR
A - Housing height	31 mm
A1 - Housing foot height / flange height	13 mm
A2 - Total height from mounting surface	40,2 mm
B - Width of Inner Ring	38,1 mm



NTN Europe

1 rue des Usines · BP 2017 · 74010 Annecy Cedex · France · Tel. +33 (0)4 50 65 30 00
S.A. au capital de 322 639 919 € · RCS ANNECY B 325 821 072 · Id. Fiscale : FR 48 325 821 072
SIRET 325 821 072 00015 · Code APE 2815 Z · Code NACE 28.15

PRODUCT DEFINITION

d - Shaft diameter	30 mm
Dz - Outer diameter of cover	70 mm
e - Distance mounting surface to bearing center	18 mm
G - Grease fitting	M6x1
H - Housing length, width or diameter	141 mm
J - Mounting holes distance	117 mm
L - Housing width / diameter	80 mm
N - Mounting hole dimension	13,5 mm
S - Distance front side/bearing centre	15,9 mm
Z - Width over covers	43,9 mm

PRODUCT PERFORMANCE

C - Dynamic load rating	19400000 mN
C0 - Static load rating	11200000 mN
Operating temperature min.	253,15 °K
Operating temperature max.	373,15 °K

OTHER FEATURES

Mass	0,954 kg
Recommended tightening torque for set screw	3.9 N-m

