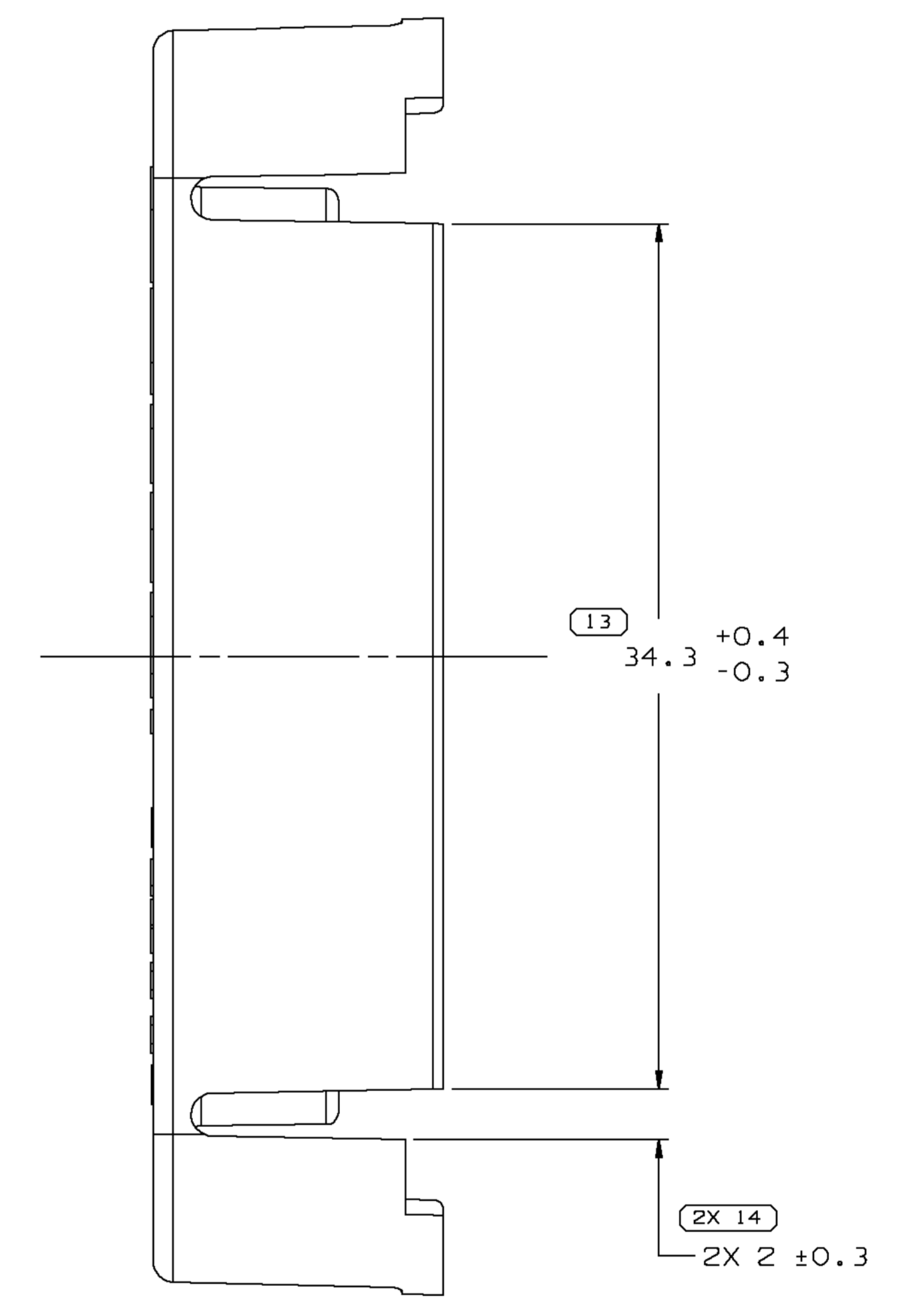
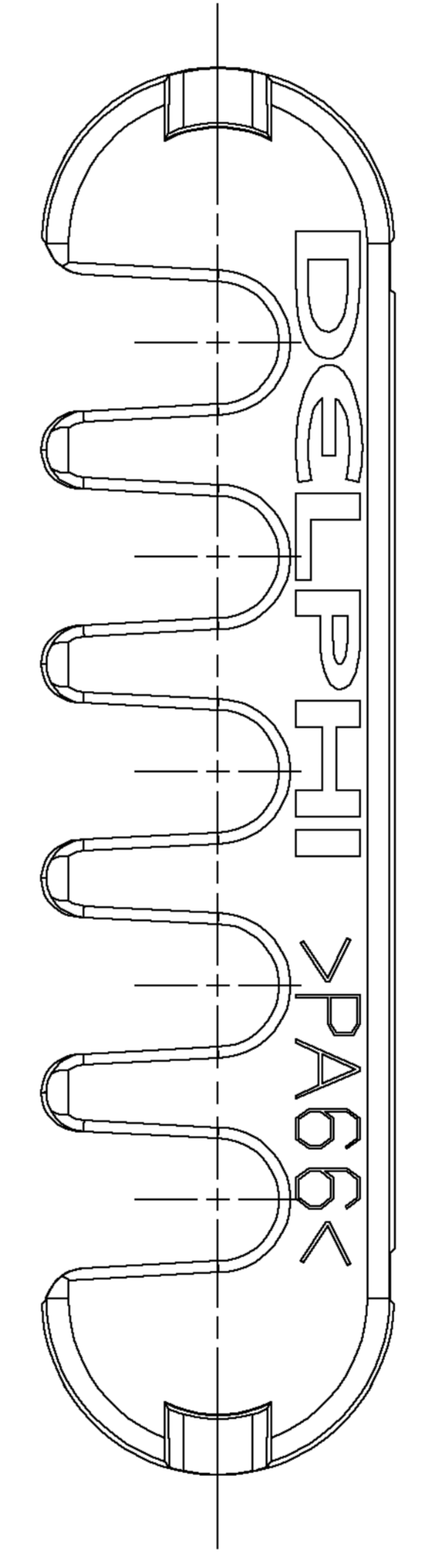
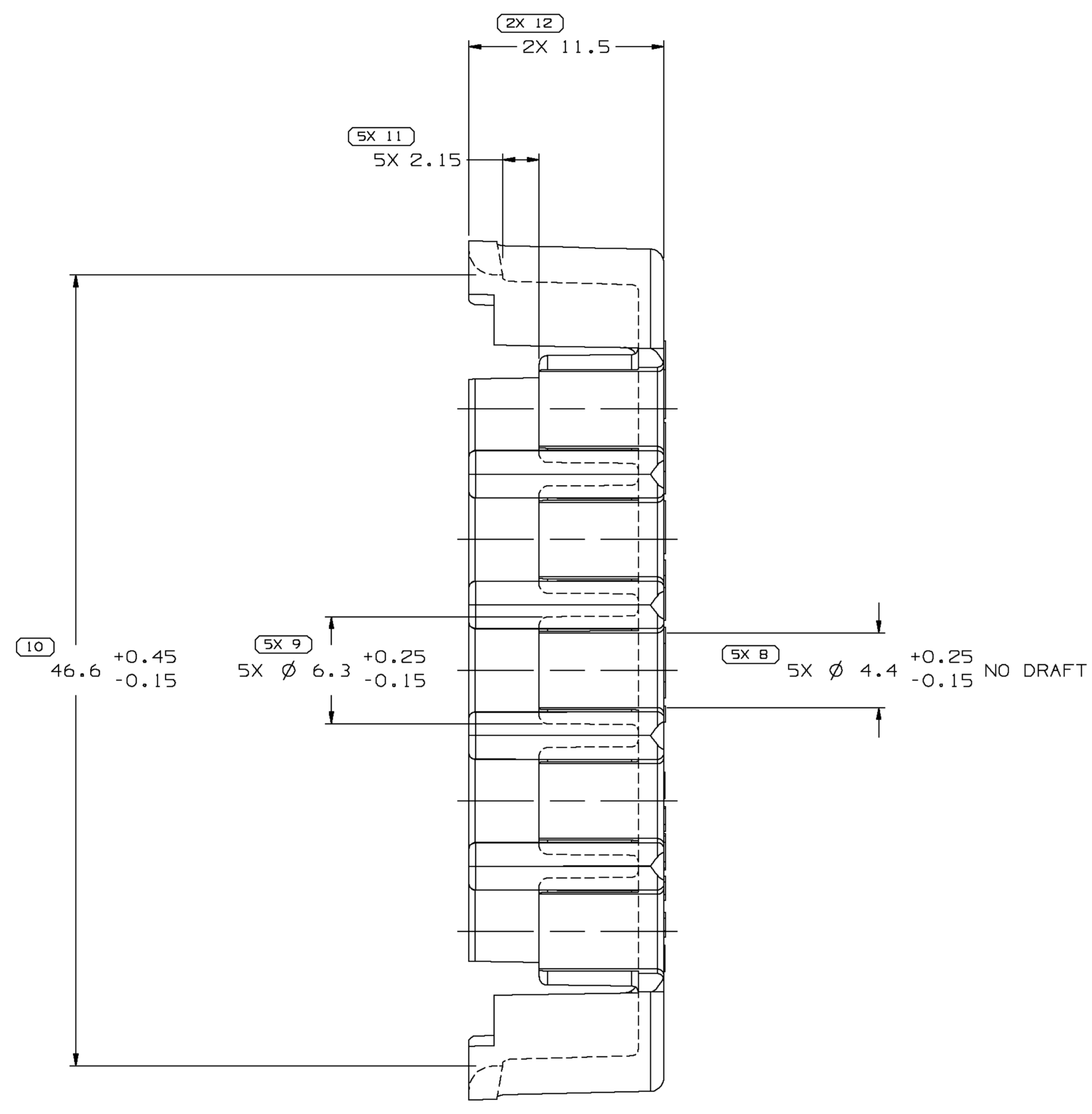
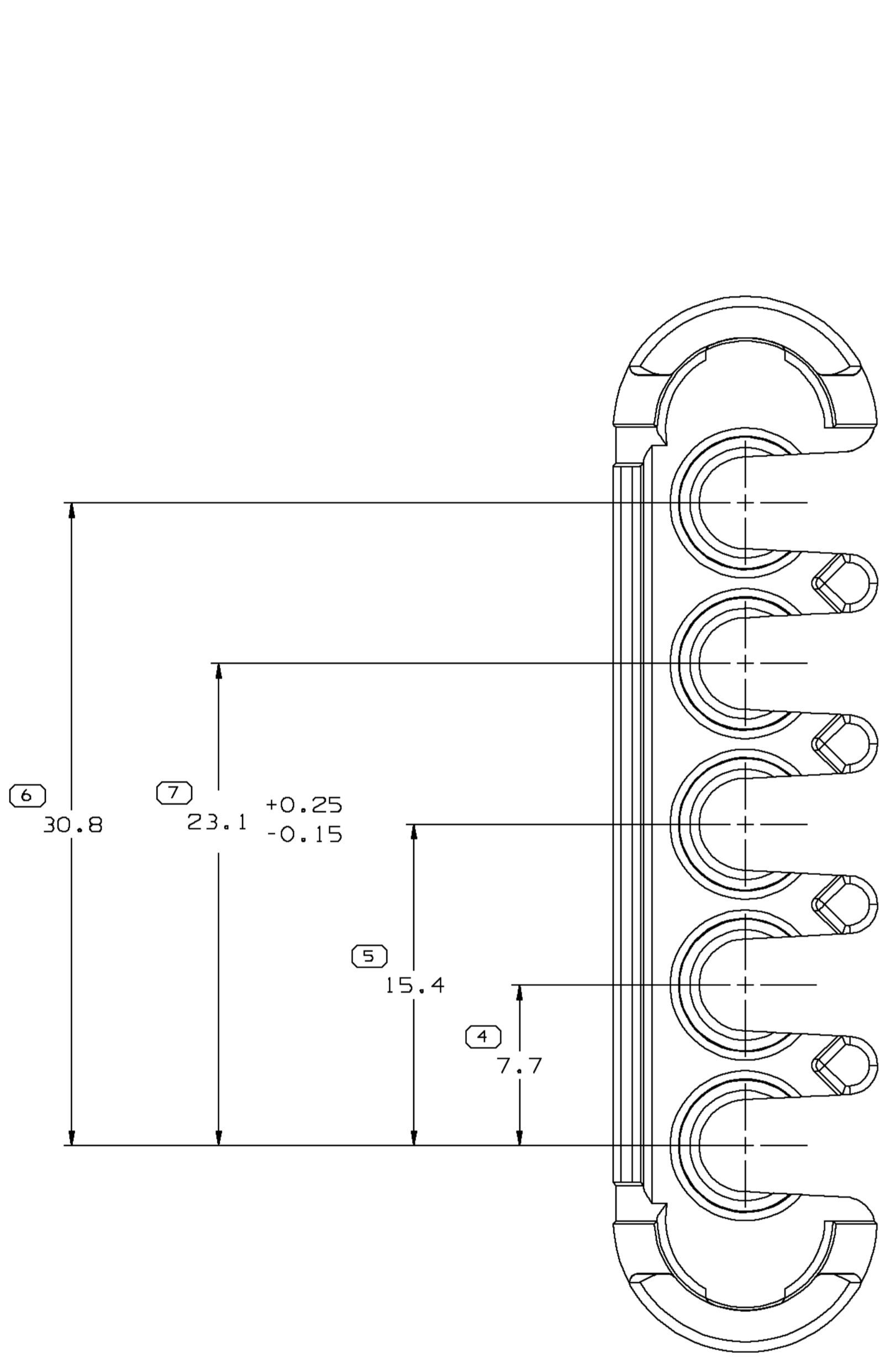
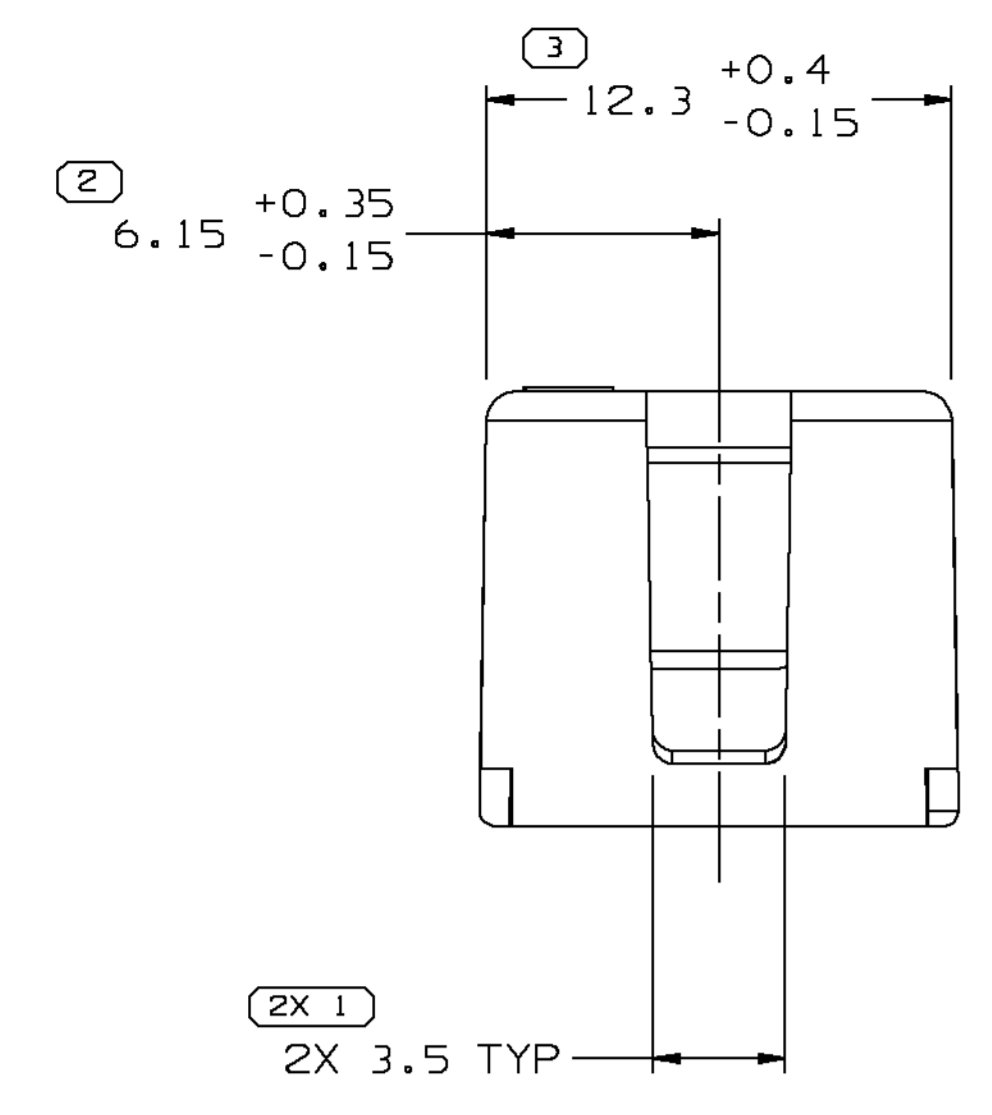


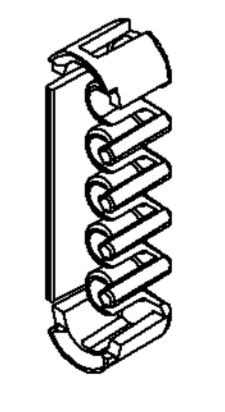
SYMBOL DEFINITION		MISSING SYMBOLS	
A DIMENSION WITHOUT AN INSPECTION REPORT SYMBOL DOES NOT REQUIRE INSPECTION. IT MAY BE CONTROLLED ON THE INDIVIDUAL COMPONENT DRAWING.	TOTAL NO OF INSPECTIONS REQUIRED	NO MISSING SYMBOL NUMBER	
	29		
	LAST NO. USED	14	

DWG STATUS					REVISION HISTORY			AUTH	DR	APVD	APVD
DATE	STG	REV	W/P	CHG	ZONE						
13JUN02	R	A6	-	-		CREATED PD, ADDED OPTIONAL LOGO & MATERIAL RECYCLING CODE NOTES AND REVISED MATERIAL SPEC			226742	EOV	EOV
15JAN03	R	Q2	-	-		MAT'L SPEC WAS M3596002 PA66 BLK			235588	RVP	RVP



NOTES

- UNLESS OTHERWISE SPECIFIED AND/OR INDICATED: DIMENSIONS ARE TO FACE OF VIEW SHOWN AND AUTOMATICALLY ROUNDED BY COMPUTER FOR INSPECTION (SEE MATH MODEL FOR PRECISE DIMENSIONS). FOR ALL OTHER DIMENSIONS NOT SHOWN BUT REQUIRED FOR TOOL BUILD, SEE MATH MODEL FOR PRECISE TOOL PATH DATA.
- MATERIAL RECYCLING CODE >PA66< PER SAE J1344. (2.31X(0.1) RAISED CHARACTERS AS SHOWN TO BE LOCATED ON ANY EXTERIOR SURFACE. OPTIONAL CONSTRUCTION TO BE NO MATERIAL RECYCLING CODE.
- THIS PART IS NOT CONTROLLED FOR AUTOMATIC FEEDING.
- MATING COMPONENTS OR EQUIVALENT: CONNECTOR 12084672
- (2.31X(0.1) RAISED DELPHI CORPORATE BRAND TO BE LOCATED ON ANY EXTERIOR SURFACE, PREFERABLY VISIBLE AT FINAL ASSEMBLY. OPTIONAL CONSTRUCTION TO BE "PED" OR NO LOGO.
- MAXIMUM CABLE O.D. THAT WILL FIT THIS PART IS 4.2.



R 0.2 MAX SHARP CORNER TOLERANCE	DIMENSIONAL RANGE (MM)		CHART ET
	FROM	TO	
	0	20	30
	20	30	70
	30	70	100
	70	100	150
	100	150	200
	150	200	250
	200	250	300
	250	300	400
	TOLERANCE UNLESS OTHERWISE SPECIFIED		
	±0.15	±0.2	±0.3
	±0.4	±0.5	±0.6
	±0.8	±1	±1.2
	ANGULAR TOLERANCE ±2°		

DWO TYPE		PART DRAWING	
STYLE	2,065		
VOLUME (CPI)	6901		
ROUTING	D		
UNLESS OTHERWISE SPECIFIED			
THIS DOCUMENT IS IN ACCORDANCE WITH ASME Y14.5M-1994 AS AMENDED BY THE 2003 DIMENSIONING AND TOLERANCING ADDENDUM - 1997. ALL GEOMETRIC TOLERANCES AND RELATED DATUMS APPLY TO ALL DIMENSIONS UNLESS OTHERWISE SPECIFIED. DIMENSIONS ARE TO FACE UNLESS OTHERWISE SPECIFIED. DIMENSIONS ARE IN MILLIMETERS.			
DATE	13JUN02	REV	A6
DATE	13JUN02	REV	Q2

**DELPHI**  
 DELPHI PACKARD ELECTRIC SYSTEMS  
 WARREN, OH

DR	DATE
APVD1 E. VAZQUEZ	13JUN02
APVD2 E. VAZQUEZ	13JUN02
APVD3 E. TRACEY	14JUN02
APVD4	
APVD5	

MATERIAL: M3592001 PA66 HS 1M BLK

DRAWING NAME: LOCK TERM LK TPA 4 BLK

DRAWING NUMBER: 12084673

SIZE: A0 SCALE: 5:1 FRAME NO: 1 SHEET NO: 1 OF 1 STG: R REV: Q2