

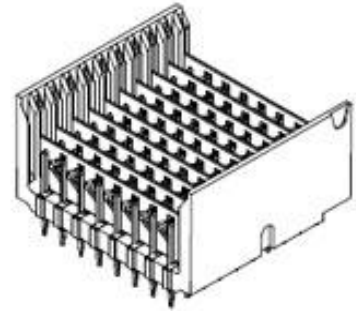
Part Number : [761349001](#)

Product Description : VHDM H-Series Single-Ended Board-to-Board Backplane Header, 2.00mm Pitch, Vertical, 8 Rows, Signal Module, Open End Version, 80 Circuits, Pin Length 4.75mm

Series Number : 76134

Status : Active

Product Category : Backplane Connectors



Documents & Resources

Drawings

[761349001_sd.pdf](#)


[PK-74060-003-001.pdf](#)

Specifications

[PS-74031-999-001.pdf](#)

Product Environment Compliance

Compliance

GADSL/IMDS	Not Relevant
China RoHS	 per SJ/T 11365-2006
EU ELV	Not Relevant
Low-Halogen Status	Low-Halogen per IEC 61249-2-21
REACH SVHC	Not Contained per D(2024)6225-DC (07 Nov 2024)
EU RoHS	Compliant per EU 2015/863

Compliance Statements

- EU RoHS
- REACH SVHC
- Low-Halogen

Industry Documents

- IPC 1752A Class C
- IPC 1752A Class D

- Molex Product Compliance Declaration
- IEC-62474
- chemSHERPA (xml)

Substances of Interest

- PFAS

EU RoHS Certificate of Compliance

Additional Product Compliance Information

Part Details

General

Status	Active
Category	Backplane Connectors
Series	76134
Description	VHDM H-Series Single-Ended Board-to-Board Backplane Header, 2.00mm Pitch, Vertical, 8 Rows, Signal Module, Open End Version, 80 Circuits, Pin Length 4.75mm
Application	Backplane
Comments	No Keying Position
Component Type	PCB Header
Product Name	VHDM H-Series
UPC	884982231771

Agency

UL	E29179
----	--------

Electrical

Current - Maximum per Contact	1.0A
Data Rate	6.25 Gbps
Shielded	Yes
Shield Type	Ground Plane Shield
Voltage - Maximum	120V AC (RMS)/DC

Physical

Circuits (Loaded)	80
-------------------	----

Circuits (maximum)	80
Color - Resin	Black
Durability (mating cycles max)	200
First Mate / Last Break	No
Flammability	94V-0
Guide to Mating Part	Yes
Keying to Mating Part	None
Material - Metal	Copper Alloy
Material - Plating Mating	Gold
Material - Plating Termination	Matte Tin
Material - Resin	High Temperature Thermoplastic
Net Weight	5.100/g
Number of Columns	10
Number of Pairs	Open Pin Field
Number of Rows	8
Orientation	Vertical
Packaging Type	Tube
PCB Locator	No
PCB Retention	None
PC Tail Length	1.83mm
Pitch - Mating Interface	2.00mm
Pitch - Termination Interface	1.00mm
Plating min - Mating	0.762µm
Plating min - Termination	0.762µm
Polarized to PCB	Yes
Stackable	No
Temperature Range - Operating	-55° to +85°C
Termination Interface Style	Through Hole - Compliant Pin

Solder Process Data

Lead-Free Process Capability	N/A
------------------------------	-----

Application Tooling

Global

Description	Part Number
Signal Pin Inserter Repair Tool	<u>622015700</u>
8-Row Pin and Shield Repair Tool	<u>622015900</u>

This document was generated on Nov 05, 2025