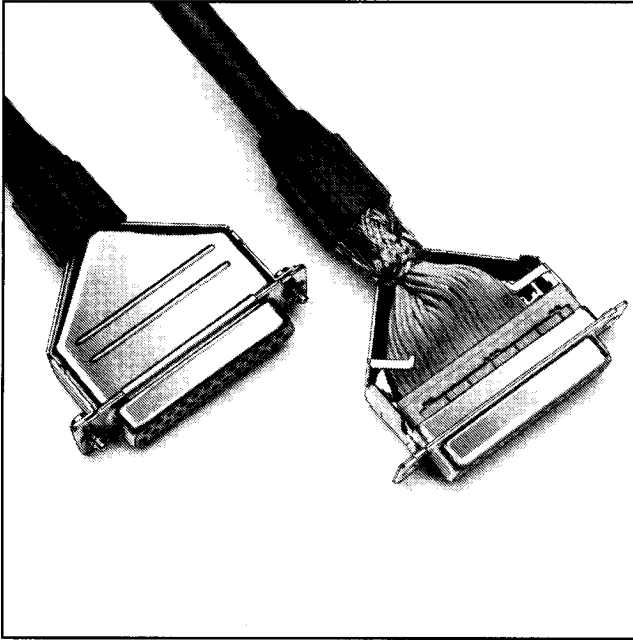


D Sub Connectors

Metal EMI Junction Shell

3357-92XX Series



- Provides EMI/ESD protection similar to aluminium die cast
- Easy assembly reduces time and labor to ensure low applied cost
- Optional thumbscrew kit
- Provides option in grounding for discrete wire applications
- Light weight, compact design

TS-0036-10
Sheet 1 of 2

132

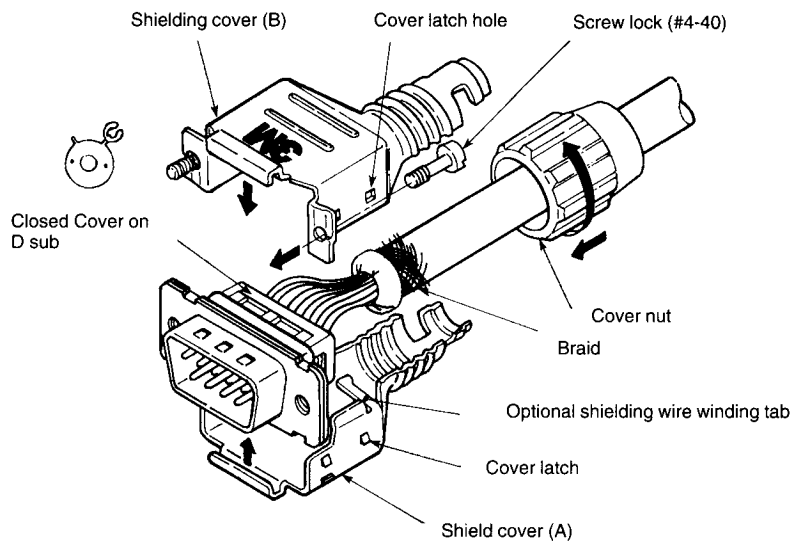
Physical

Shell and Hardware

Material: Steel
Plating: Nickel

Cover Nut

Material: Glass Filled Polyester (PBT)
Flammability: UL 94V-0
Color: Black

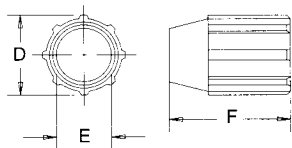
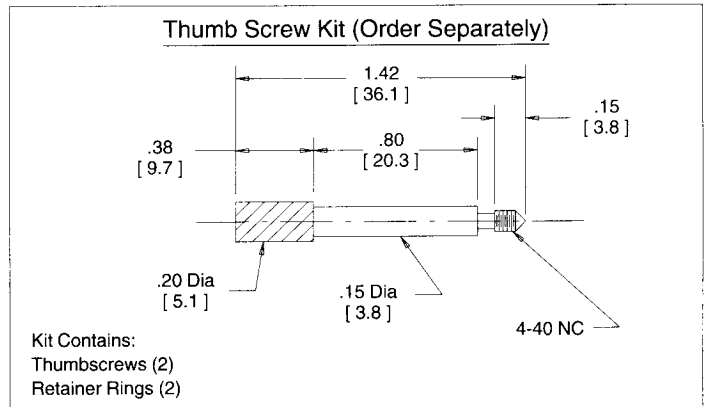
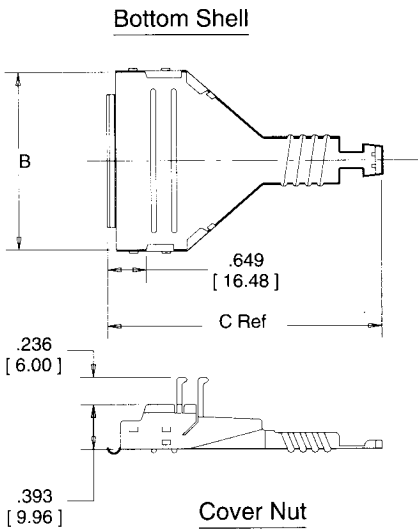
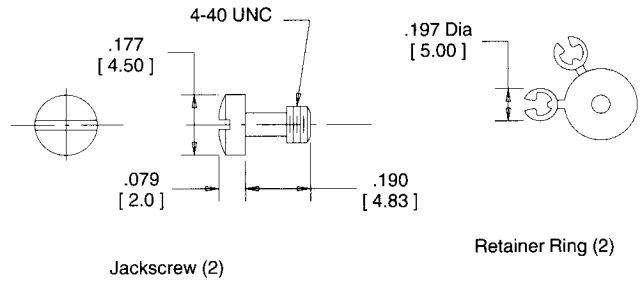
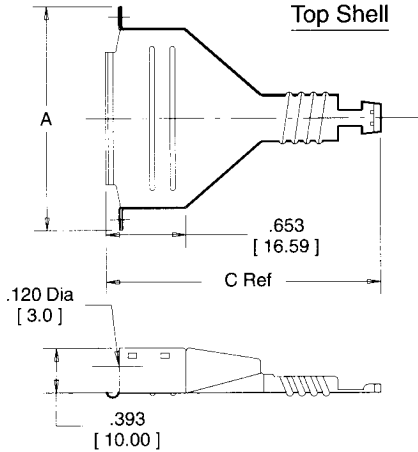


D Sub Connector

Metal EMI Junction Shell

3357-92XX Series

Connector Size	Dimensions					
	A	B	C Ref	D	E [± .03]	F
09	1.18 [30.0]	0.76 [19.3]	1.65 [41.9]	0.53 [13.5]	0.28 [7.1]	0.75 [19.1]
15	1.50 [38.1]	1.08 [27.4]	1.95 [49.5]	0.65 [16.5]	0.37 [9.4]	0.75 [19.1]
25	2.05 [52.1]	1.63 [41.4]	2.24 [56.9]	0.65 [16.5]	0.43 [10.9]	0.98 [24.9]
37	2.68 [68.1]	2.28 [57.9]	2.76 [70.1]	0.74 [18.8]	0.50 [12.7]	1.10 [27.9]



	Inch [mm]		
	Tolerance Unless Noted		
	.0	.00	.000
Inch	±.1	±.01	±.005

[] Dimensions for Reference only

Ordering Information

Junction Shell
3357-92XX

Thumb Screw Kit
3341-7

Retainer Ring
3808-ER

Connector Size
09 = 9 Position
15 = 15 Position
25 = 25 Position
37 = 37 Position

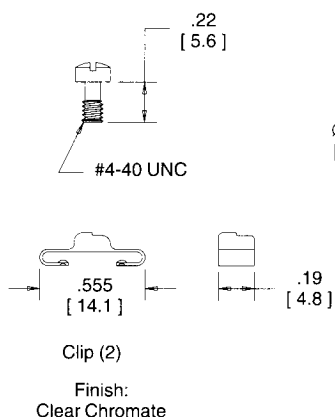
TS-0036-10
Sheet 2 of 2

D Sub Connector

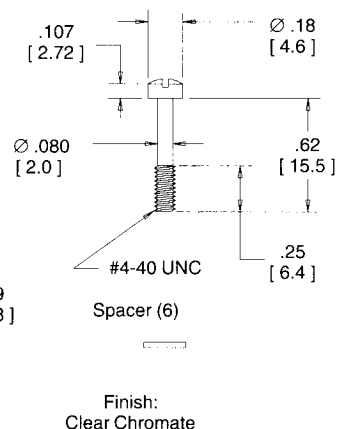
Mounting Hardware

Jack Screw Kits

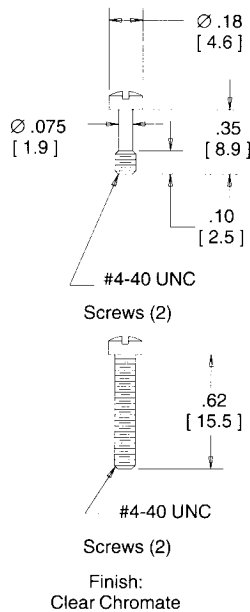
3342-1



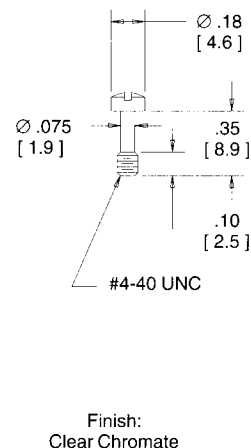
3342-2



3342-3



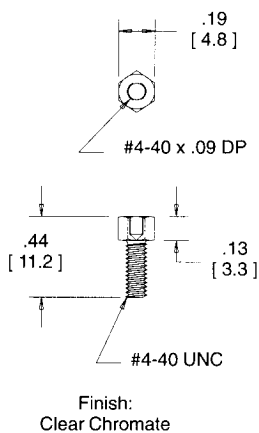
3342-4



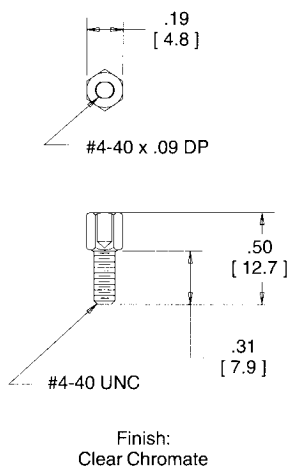
Material: Steel
Finish: Zinc with Chromate
Thread: 4-40
Quantity: 2

Jack Socket Kits

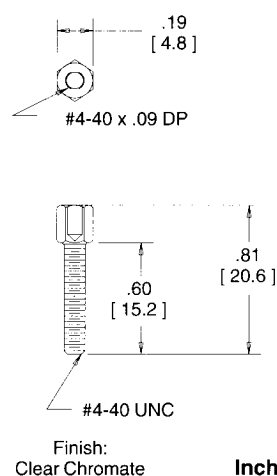
3341-S



3341-1L



3341-4



Kit Contents:
2 - Jack Sockets
9 - Flat Spaces .031" Dia
2 - #4 Lock Washers
2 - 4-40 Nuts

Material: Steel
Finish: Zinc with Chromate
Thread: 4-40
Quantity: 2

Inch
[mm]

Tolerance Unless Noted		
	.0	.00 .000
Inch	± .1	± .01 ± .005

[] Dimensions for Reference only

TS-0142-10
Sheet 1 of 2

D Sub Connector Mounting Hardware

Mounting Hardware Guide

Selection Guide — 9 to 37 Position D Sub Connectors

Select the proper hardware for your application by one of the following:

1. To mount a connector to a panel, select the correct Jack Socket Kit from Table 1.
2. To secure a mating connector to a panel mounted connector, select the correct Jack Screw Kit from Table 2.
3. To secure two connectors together in a mid-span application where no panel exists, select both the Jack Socket Kit and Jack Screw Kit from Table 2.

Panel Mounted Connectors Jack Socket Kits

PANEL THICKNESS	Front Mount		Rear Mount	
	Kit	Spacers	Kit	Spacers
$\frac{1}{16}$	3341-1L	2	3341-1L	0
$\frac{3}{32}$	3341-1L	2	3341-1S	1
$\frac{1}{8}$	3341-4	2	3341-1S	0

Note: Spacers Placed Under Head of Jack Sockets

Connectors with Junction Shells

Junction Shell	Jack Screw		Jack Socket
	Kits	Spacers	Kits
-----	3342-1	---	3341-1L
3485-2X00	3342-2	2	3341-4
3357-41XX	3342-2	2	3341-4
3357-51XX	3342-2	2	3341-4
3357-65XX	Supplied	---	3341-4
3357-92XX	Supplied or 3341-7		3341-1L

Notes:

1. Jack Sockets used for Mid-Span Applications.
2. Spacers Placed Under Head of Jack Screws.

Selection Guide — 50 Position D Sub Connectors

Mounting Options Using 3357-9250 Junction Shell & 3505-62 Latch Bracket

Front Panel Mounted Connectors: Connectors not designed for this application

Rear Panel Mounted Connectors:

1/16" Panel: 1 Spacer Latch Bracket and Panel

3/32" Panel: No Spacers.

>3/32" Panel: Latch Bracket not designed for these applications.

Mid-Span Applications: Mount Latch Bracket directly to either the Plug or Socket Connector.

TS-0142-10
Sheet 2 of 2