



GB-distribution box and enclosures

Features

- ATEX-certified
- BASEEFA-certified
- Large range of terminals including BARTEC, Weidmüller, Phoenix
- Different enclosure sizes
- External earth connection
- Extended ambient temperature range

Description

The GB-terminal box, both distribution box and empty enclosure, is manufactured of high impact resistance, glass-fibre reinforced polyester SMC & DMC providing extraordinary stability and corrosion resistance. The standard enclosure consists of black, antistatic material. Other colours without antistatic characteristics are also available. All listed GB distribution boxes and empty enclosure have been tested and approved by the BASEEFA authorities according to the latest European Standards. These correspond to the requirements of the EC directive 94/9/EC (ATEX).

Installation instructions

The installer must make sure that the enclosure used is suitable for the corresponding field of application. This means that the material must be suitable and the required Ex protection type must correspond to the classification of the Ex area. Also the temperature class of the distribution box must meet the respective requirements.

Selection chart

Distribution box	BASEEFA EC type test certificate	Empty enclosure approved for components	BASEEFA EC type test-certificate
GB-80	BAS98ATEX3090X	-	-
GB-110		-	-
GB-122		GB-5195-1221/2090	BAS98ATEX3089U
GB-160		GB-5195-1601/6090	
GB-220		-	-
GB-260		GB-5195-2601/6090	BAS98ATEX3089U
GB-255		GB-5195-2552/5012	
GB-400/2		-	-
GB-400		GB-5195-4004/0512	BAS98ATEX3089U

Max. power dissipation for distribution boxes

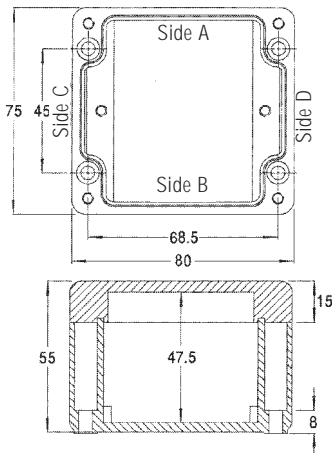
Type	Max. power dissipation at ambient temperatures of		
	+ 40 °C	+ 55 °C	+ 65 °C
GB-80	1.80	0.90	0.45
GB-110	2.20	1.10	0.55
GB-122	4.00	2.00	1.00
GB-160	7.00	3.50	1.75
GB-220	6.80	3.40	1.70
GB-260	9.00	4.50	2.25
GB-255	15.00	7.50	3.75
GB-400/2	21.40	10.70	5.35

Empty Ex-enclosure EEx e-distribution boxe	Distribution box GB-...	Enclosure GB-5195-..../....
<p>Explosion protection</p> <p>Ex protection type BS EN 50014, BS EN 50019; 1994 EN 50281-1-1; 1998</p> <p>Ambient temperature (special temperature range on request)</p> <p>Technical data</p> <p>Material</p> <p>Colour/coating</p> <p>Lid screws (other models on request)</p> <p>Standard-seals (seals on request)</p> <p>Mechanical resistance acc. to EN 50014</p> <p>Protection class acc. to 60529/IEC 60529</p> <p>Power dissipation</p> <p>Certification</p> <p>Accessories</p>	<p>EEx II 2G D T 85°C, EEx e II T6 increased safety BS EN 50014, BS EN 50019; 1994</p> <p>- 20 °C to + 40 °C extended ambient temperature range - 55 °C to + 65 °C</p> <p>polyester, black, antistatic, glass-fibre reinforced, surface resistance < 10⁹ Ω flame retardant: IEC 92.1, UL94V0</p> <p>polyester, black, anti-static</p> <p>captive slotted or hexagon socket screw, high-quality stainless steel 316</p> <p>captive silicone o-ring in featherkey and keyway arrangement, protected against the penetration of foreign matters, acc. to IP 66 (IEC 144/EN 60529)</p> <p>impact energy > 2 x 7 Nm</p> <p>IP 66</p> <p>see table (without BTB-122)</p> <p>conformity certification BAS 98 ATEX 3090X</p> <p>XE earthing studs, ES earthing studs, WB wall bracket, PB pipe bracket FB high-quality steel fixing bracket</p>	<p>EEx II 2G, EEx e II T6 increased safety</p> <p>- 20 °C to + 40 °C extended ambient temperature range - 55 °C to + 65 °C</p> <p>polyester, black, antistatic, glass-fibre reinforced, surface resistance > 10¹² Ω flame retardant: IEC 92.1, UL94V0</p> <p>polyester, grey</p> <p>captive slotted or hexagon socket screw, high-quality stainless steel 316</p> <p>captive silicone o-ring in featherkey and keyway, arrangement, protected against the penetration of foreign matters, acc. to IP 66 (IEC 144/EN 60529)</p> <p>impact energy > 2 x 7 Nm</p> <p>IP 66</p> <p>see table (without BTB-122)</p> <p>conformity certification BAS 98 ATEX 3089U</p> <p>XE earthing studs, ES earthing studs, WB wall bracket, PB pipe bracket FB high-quality steel fixing bracket</p>



*Distribution box
GB-80*

Dimensions



All dimensions in mm.
Fixing hole diameter 5 mm.

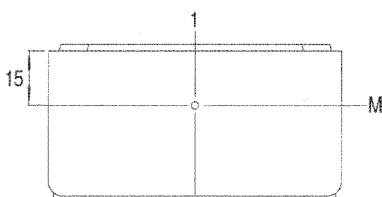
Selection chart

Max. number of terminals	Max. current A	Max. voltage V	Conductor size range mm ²	Earth terminal	Conductor size range mm ²
6 AKZ 4	15	275	0.5 to 2.5	AKE 4	0.22 to 4.0
4 AKZ 4	21		0.5 to 4.0		
BK 3 (1 x 3-pole)	21	275	0.5 to 4.0	DFG 1	0.22 to 4.0
BK 3 (1 x 3-pole)				2 MK (2-pole)	
BK 4 (1 x 4-pole)				DFG 1	
BK 4 (1 x 4-pole)				2 MK (2-pole)	
BK 6 (1 x 6-pole)	20	275	0.5 to 4.0	DFG 1	
BK 6 (1 x 6-pole)				2 MK (2-pole)	
BARTEC Mini-terminal (1 x 3-pole)	16	380	0.5 to 1.5	DFG 1	
BARTEC Mini-terminal (2 x 2-pole)	14				

The number of terminals listed above depends on the maximum conductor size and maximum current. At least one earth terminal must be supplied.
The enclosure can be mounted with the terminal strip horizontally or vertically aligned.

Entry positions

View on sides A+B



Standard entry arrangements

Thread size	Side	Max. entries per side	Position of hole	Notes
M 20	A+B	1	1M	Locknuts max. 27 mm/A/C

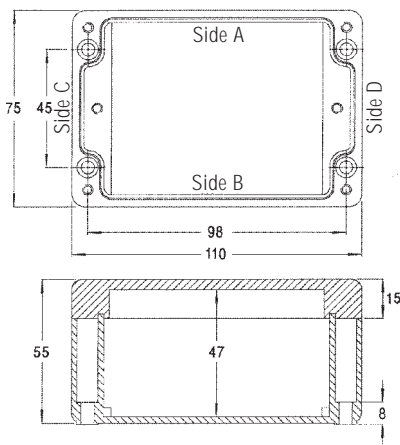
- Other equivalent entry sizes (such as Pg) are available.
- EEx e II nylon stopping plugs can be fitted as required.

➔ Order no.: GB-80



Distribution box GB-110

Dimensions



All dimensions in mm.
Fixing hole diameter 5 mm.

Selection chart

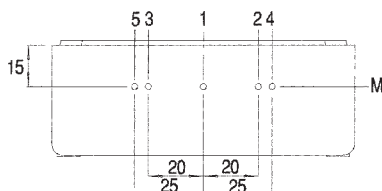
Max. number of terminals	Max. current (A)	Max. voltage (V)	Conductor size (mm ²)	Earth terminal	Conductor size (mm ²)
7 AKZ 4	15	275	0.5 to 2.5	AKE 4	0.22 to 4.0
5 AKZ 4	21		0.5 to 4.0		
BK 3 (1 x 3-pole)	21	275	0.5 to 4.0	DFG 1	0.22 to 4.0
BK 3 (1 x 3-pole)				2 MK (2-pole)	
BK 4 (1 x 4-pole)				DFG 1	
BK 4 (1 x 4-pole)				2 MK (2-pole)	
BK 6 (1 x 6-pole)				DFG 1	
BK 6 (1 x 6-pole)				2 MK (2-pole)	
BARTEC Mini-terminal (1 x 3-pole)	16	380	0.5 to 1.5	DFG 1	
BARTEC Mini-terminal (2 x 2-pole)	15				
BARTEC Mini-terminal (2 x 3-pole)	12				

The number of terminals listed above depends on the maximum conductor size and maximum current. At least one earth terminal must be supplied.

The enclosure can be mounted with the terminal strip horizontally or vertically aligned.

Entry positions

View on sides A+B

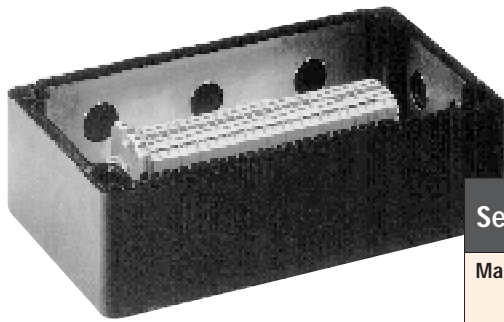


Standard entry arrangements

Thread size	Side	Max. entries per side	Position of hole	Notes
M 20	A+B	1 2	1M 2M, 3M (or 4 m, 5M)	Locknuts max. 27 mm A/C

- Other equivalent entry sizes (such as Pg) are available.
- EEx e II nylon stopping plugs can be fitted as required.

➔ Order no.: GB-110

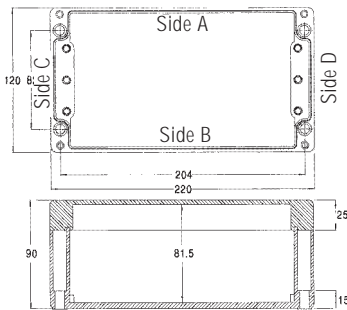


*Distribution box
GB-220*

Selection chart

Max. number of terminals	Max. current (A)	Max. voltage (V)	Conductor size (mm ²)	Earth terminal	Conductor size (mm ²)
12 SAK 2.5	15	550	0.5 to 2.5	EK 4	0.5 to 4.0
10 SAK 4	21		0.5 to 4.0		
9 SAK 6N	26		0.5 to 6.0	EK 10	2.5 to 10.0
9 SAK 10	37		2.5 to 10.0		
12 WDU 2.5	15	726	0.22 to 2.5	WPE 2.5	1.5 to 2.5
9 WDU 4	21		1.5 to 4.0	WPE 4	1.5 to 4.0
10 WDU 6	26		1.5 to 6.0	WPE 6	1.5 to 6.0
7 WDU 10	37		1.5 to 10.0	WPE 10	1.5 to 10.0
7 WDU 16	47		1.5 to 16.0	WPE 16	1.5 to 16.0
4 WDU 35	75		2.5 to 35.0	WPE 35	2.5 to 35.0
BK 3 (1 x 3-pole)	21	275	0.5 to 4.0	BET 2	0.5 to 16.0*
BK 4 (1 x 4-pole)					
BK 6 (1 x 6-pole)					
BK 12 (1 x 12-pole)	20	418	0.5 to 16.0*	BET 2	0.5 to 16.0*
MK 6/6 (1 x 6-pole)	26				
BTB 4 (1 x 4-pole)	37	726	0.5 to 16.0*	BET 2	0.5 to 16.0*
BTB 4 (2 x 4-pole)					
BTB 6 (1 x 6-pole)					
BTB 6 (2 x 6-pole)					

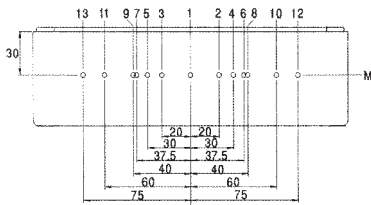
Dimensions



All dimensions in mm.
Fixing hole diameter 7 mm.

Entry positions

View on sides A+B

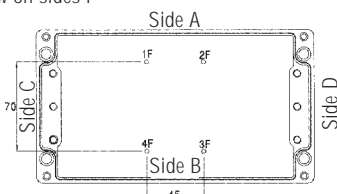


View on sides C+D
(viewed from side C)



Entries on sides C+D are directly opposite each other.

View on sides F



- A maximum of 2 earth bars type QS3 may be supplied.
- Alternative terminal types are available.

The number of terminals listed above depends on the maximum conductor size and maximum current. At least one earth terminal must be supplied.
The enclosure can be mounted with the terminal strip horizontally or vertically aligned.

Standard entry arrangements

Thread size	Side	Max. entries per side	Position of holes	Notes
M 20	A+B	3 4 5	1M, 8M, 9M, 2M, 3M, 10M, 11M 1M, 6M, 7M, 12M, 13M	
	C+D	1	1M oder 2M	Not when QS3 earth bar fitted
M 25	A+B	2 3	4M, 5M 1M, 10M, 11M	
M 32	A+B	2	4M, 5M	

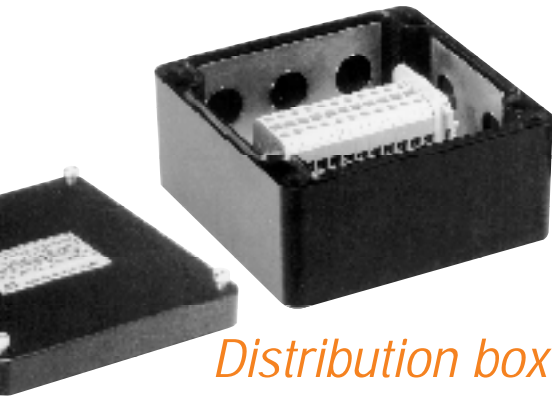
- Other equivalent entry sizes (such as Pg) are available.
- Entry sizes may be mixed on each side.
- EEx e II nylon stopping plugs can be fitted as required.

Special rear entry positions

Thread size	Side	Max. entries per side	Position of holes
M 20	F	4	1F, 2F, 3F, 4F

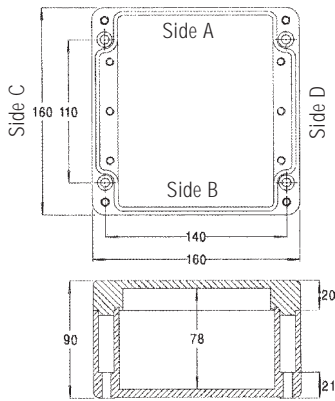
- Single M 20 entry in the lid is possible.

Order no.: GB-220



*Distribution box
GB-160*

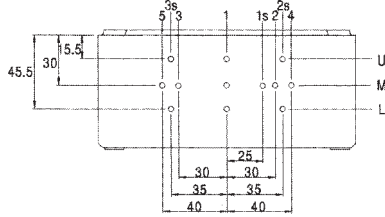
Dimensions



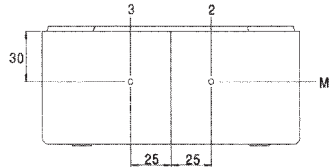
All dimensions in mm.
Fixing hole diameter 7 mm.

Entry positions

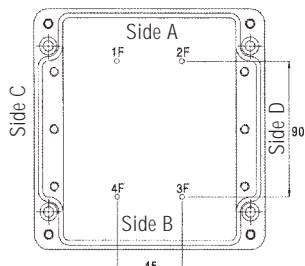
View on sides A+B



View on sides C+D



View on sides F



Selection chart

Max. number of terminals	Max. current (A)	Max. voltage (V)	Conductor size (mm ²)	Earth terminal	Conductor size (mm ²)
15 SAK 2.5	15	550	0.5 to 2.5	EK 4	0.5 to 4.0
14 SAK 4	21		0.5 to 4.0		
11 SAK 6N	26		0.5 to 6.0	EK 10	2.5 to 10.0
8 SAK 10	37		2.5 to 10.0		
7 SAK 16	47		6.0 to 16.0		
17 WDU 2.5	15	726	0.22 to 2.5	WPE 2.5	1.5 to 2.5
13 WDU 4	21		1.5 to 4.0	WPE 4	1.5 to 4.0
13 WDU 6	26		1.5 to 6.0	WPE 6	1.5 to 6.0
9 WDU 10	37		1.5 to 10.0	WPE 10	1.5 to 10.0
9 WDU 16	47		1.5 to 16.0	WPE 16	1.5 to 16.0
5 WDU 35	75		2.5 to 35.0	WPE 35	2.5 to 35.0
BK 3 (1 x 3-pole)	21		275	0.5 to 4.0	BET 2
BK 4 (1 x 4-pole)					
BK 6 (1 x 6-pole)					
BK 12 (1 x 12-pole)					
1 x BK 4 + 1 x BK12					
BTB 4 (1 x 4-pole)	37	726	0.5 to 16.0*	BET 2	0.5 to 16.0*
BTB 4 (2 x 4-pole)					
BTB 6 (1 x 6-pole)					
BTB 6 (2 x 6-pole)					

- A maximum of 2 earth bars type QS4 may be supplied.
- Alternative terminal types are available.

The maximum number of terminals listed above depends on the maximum conductor size and maximum current. At least one earth terminal must be supplied.
The enclosure can be mounted with the terminal strip horizontally or vertically aligned.

Standard entry arrangements

Thread size	Side	Max. entries per side	Position of holes	Note
M 20	A+B	3	1M, 4M, 5M	
	C+D	2	2M, 3M	Not when QS4 earth bar fitted
M 25	A+B	1	1M	Not when QS4 earth bar fitted
	C+D	2	2M, 3M	
M 32	A+B	2	2M, 3M	

- Other equivalent entry sizes (such as Pg) are available.
- Entry sizes may be mixed on each side.
- EEx e II nylon stopping plugs can be fitted as required.

Special rear entry positions

Thread size	Side	Max. entries per side	Position of holes
M 20	F	4	1F, 2F, 3F, 4F

- Single M 20 entry in the lid is possible also.

Special side entry positions

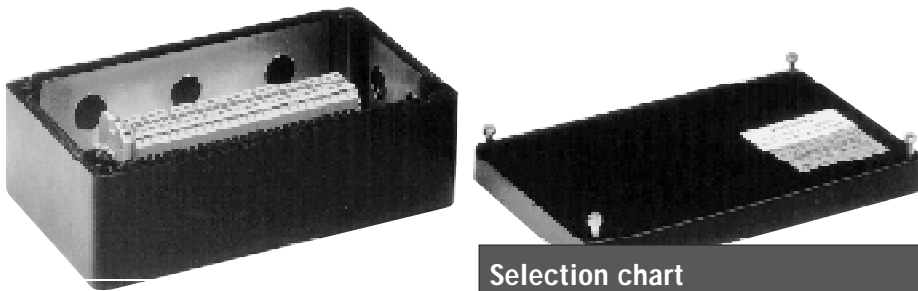
Thread size	Side	Max. entries per side	Position of holes
M 20	A+B	6	1U, 1L, 2sU, 2sL, 3sU, 3sL
M 20 + M 25	A+B	4 x M20	2sU, 2sL, 3sU, 3sL 1 x M25, 1M
M 20 + M 32	A+B	2 x M20 1 x M32	3sU, 3sL 1sM

- Single M 20 entry in the lid is possible.

➔ **Order no.: GB-160**



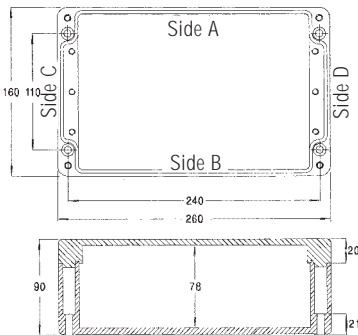
*Distribution box
GB-260*



Selection chart

Max. number of terminals	Max. current (A)	Max. voltage (V)	Conductor size (mm ²)	Earth terminal	Conductor size (mm ²)			
17 SAK 2.5	15	550	0.5 to 2.5	EK 4	0.5 to 4.0			
31 SAK 2.5	11.5							
32 SAK 2.5	5							
13 SAK 4	21							
28 SAK 4	16							
30 SAK 4	5		0.5 to 4.0					
13 SAK 6N	26							
23 SAK 6N	20							
24 SAK 6N	5							
12 SAK 10	37							
18 SAK 10	28	726	0.5 to 6.0	EK 10	2.5 to 10.0			
11 SAK 16	47							
15 SAK 16	35							
17 WDU 2.5	15							
13 WDU 4	21							
13 WDU 6	26		6.0 to 16.0	EK 16	6.0 to 16.0			
10 WDU 10	37							
9 WDU 16	47							
6 WDU 35	75					0.22 to 2.5	WPE 2.5	1.5 to 2.5
						1.5 to 4.0	WPE 4	1.5 to 4.0
		1.5 to 6.0	WPE 6	1.5 to 6.0				
		1.5 to 10.0	WPE 10	1.5 to 10.0				
		1.5 to 16.0	WPE 16	1.5 to 16.0				
		2.5 to 35.0	WPE 35	2.5 to 35.0				

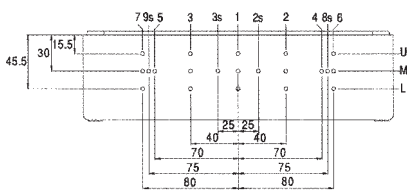
Dimensions



All dimensions in mm.
Fixing hole diameter 7 mm.

Entry positions

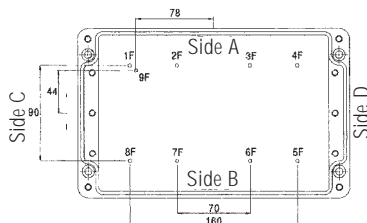
View on sides A+B



View on sides C+D



View on sides F



- A maximum of 2 earth bars type QS4 may be supplied.
- Alternative terminal types are available.

The maximum number of terminals listed above depends on the maximum conductor size and maximum current. At least one earth terminal must be supplied.
The enclosure can be mounted with the terminal strip horizontally or vertically aligned.

Standard entry arrangements

Thread size	Side	Max. entries per side	Position of holes
M 20	A+B	5 10	1M, 2M, 3M, 6M, 7M 1U, 2U, 3U, 6U, 7U, 1L, 2L, 3L, 6L, 7L
	C+D	2	2M, 3M
M 25	A+B	3 4	1M, 4M, 5M 2sM, 3sM, 8sM, 9sM
	C+D	2	2M, 3M
M 32	A+B	3	1M, 4M, 5M

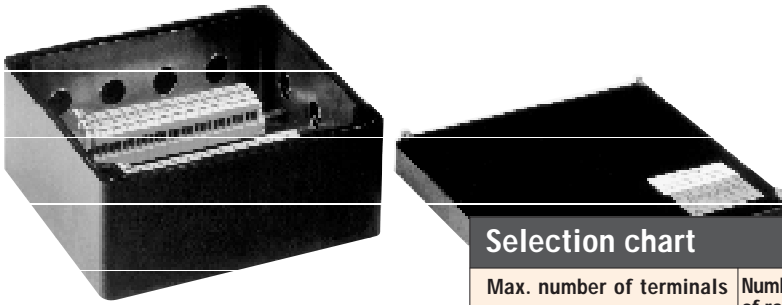
- Other equivalent entry sizes (such as Pg) are available.
- Entry sizes may be mixed on each side.
- EEx e II nylon stopping plugs can be fitted as required.

Special rear entry positions

Thread size	Side	Max. entries per side	Position of holes
M 20	F	8	1F, 2F, 3F, 4F, 5F, 6F, 7F, 8F
M 32	F	1	9F

- Single M 20 entry in the lid is possible also.

Order no.: GB-260

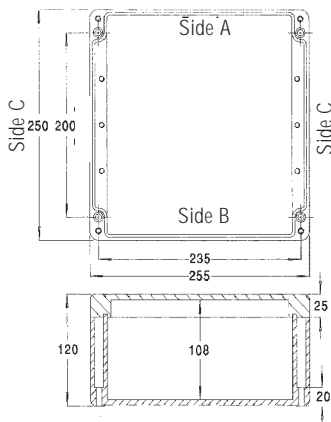


*Distribution box
GB-255*

Selection chart

Max. number of terminals	Number of rails	Max. current (A)	Max. voltage (V)	Conductor size (mm ²)	Earth terminal	Conductor size (mm ²)
25 SAK 2.5	1 or 2	15	550	0.5 to 2.5	EK 4	0,5 bis 4,0
53 SAK 2.5	2	11.5				
62 SAK 2.5	2	5				
20 SAK 4	1 or 2	21				
44 SAK 4	2	16		0.5 to 4.0		
60 SAK 4	2	5				
19 SAK 6N	1 or 2	26		0.5 to 6.0	EK 10	2.5 to 10.0
42 SAK 6N	2	20				
48 SAK 6N	2	5				
17 SAK 10	1 or 2	37		2.5 to 10.0	EK 16	6.0 to 16.0
36 SAK 10	2	28				
12 SAK 16	1	47	726	2.5 to 10.0	EK 35	6.0 to 35.0
8 SAK 35N	1	75		2.5 to 10.0	WPE 2.5	1.5 to 2.5
25 WDU 2.5	1 or 2	15		0.22 to 2.5	WPE 4	1.5 to 4.0
19 WDU 4	1 or 2	21		1.5 to 4.0	WPE 6	1.5 to 6.0
20 WDU 6	1 or 2	26		1.5 to 6.0	WPE 10	1.5 to 10.0
14 WDU 10	1 or 2	37		1.5 to 10.0	WPE 16	1.5 to 16.0
14 WDU 16	1 or 2	47		1.5 to 16.0	WPE 35	2.5 to 35.0
9 WDU 35	1 or 2	75		2.5 to 35.0		

Dimensions



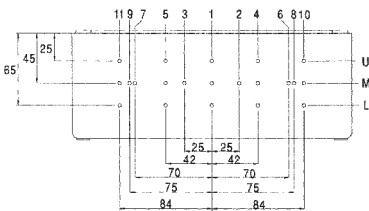
All dimensions in mm.
Fixing hole diameter 7 mm.

- A maximum of 2 earth connection bars type QS9 may be supplied.
- Alternative terminal types are available.

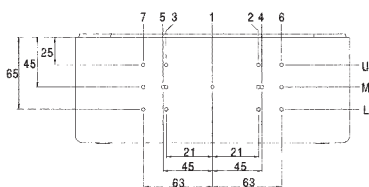
The maximum number of terminals listed above depends on the maximum conductor size and maximum current. At least one earth terminal must be supplied. The enclosure can be mounted with the terminal strip horizontally or vertically aligned or fitted with a single diagonally mounted terminal strip.

Entry positions

View on sides A+B



View on sides C+D



Standard entry arrangements

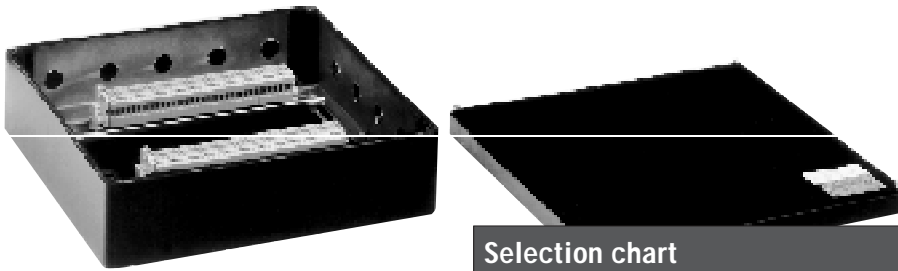
Thread size	Side	Max. entries per side	Position of holes
M 20	A+B	5	1M, 4M, 5M, 10M, 11M
	A+B	10	1U, 4U, 5U, 10U, 11U, 1L, 4L, 5L, 10L, 11L
M 25	C+D	4	2M, 3M, 6M, 7M
	C+D	8	2U, 3U, 6U, 7U, 2L, 3L, 6L, 7L
M 25	A+B	4	2M, 3M, 8M, 9M
	C+D	3	1M, 6M, 7M
M 32	A+B	3	1M, 6M, 7M
	C+D	2	4M, 5M
M 40	A+B	3	1M, 6M, 7M
	C+D	2	4M, 5M
M 50	A+B	1	1M
	C+D	1	1M

- Other equivalent entry sizes (such as Pg) are available.
- Entry sizes may be mixed on each side.
- EEx e II nylon stopping plugs can be fitted as required.

➔ **Order no.: GB-255**



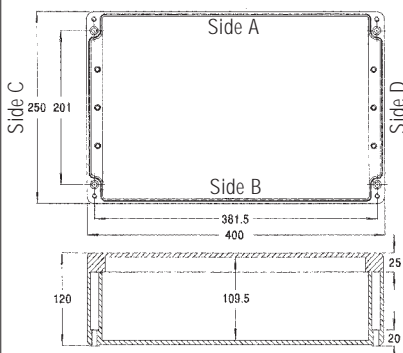
*Distribution box
GB-400*



Selection chart

Max. number of terminals	Number of rails	Max. current (A)	Max. voltage (V)	Conductor size (mm ²)	Earth terminal	Conductor size (mm ²)	
33 SAK 2.5	1 or 2	15	550	0.5 to 2.5	EK 4	0.5 to 4.0	
74 SAK 2.5	2	11.5					
108 SAK 2.5	2	5					
27 SAK 4	1 or 2	21		0.5 to 4.0	EK 10	2.5 to 10.0	
59 SAK 4	2	16					
102 SAK 4	2	5					
26 SAK 6N	1 or 2	26					
56 SAK 6N	2	20		0.5 to 6.0	EK 10	2.5 to 10.0	
84 SAK 6N	2	5					
23 SAK 10	1 or 2	37		726	2.5 to 10.0	EK 16	6.0 to 16.0
51 SAK 10	2	28					
20 SAK 16	1	47	6.0 to 16.0		EK 35	6.0 to 35.0	
19 SAK 35N	1	75					
12 SAK 70	1	114					
33 WDU 2,5	1 or 2	15	726		0.22 to 2.5	WPE 2.5	1.5 to 2.5
26 WDU 4	1 or 2	21			1.5 to 4.0	WPE 4	1.5 to 4.0
26 WDU 6	1 or 2	26			1.5 to 6.0	WPE 6	1.5 to 6.0
20 WDU 10	1 or 2	37			1.5 to 10.0	WPE 10	1.5 to 10.0
19 WDU 16	1 or 2	47			1.5 to 16.0	WPE 16	1.5 to 16.0
13 WDU 35	1 or 2	75		2.5 to 35.0	WPE 35	1.5 to 35.0	

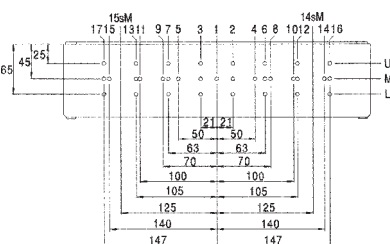
Dimensions



All dimensions in mm.
Fixing hole diameter 7 mm.

Entry positions

View on sides A+B and sides C+D



- A maximum of 2 earth bars type QS15 may be supplied.
- Alternative terminal types are available.

The maximum number of terminals listed above depends on the maximum conductor size and maximum current. At least one earth terminal must be supplied.
The enclosure can be mounted with the terminal strip horizontally or vertically aligned or connected with a single diagonally mounted terminal strip.

Standard entry arrangements

Thread size	Side	Max. entries per side	Position of holes
M 20	A+B and C+D	8	2M, 3M, 6M, 7M, 12M, 13M, 16M, 17M
		16	2U, 3U, 6U, 7U, 12U, 13U, 16U, 17U, 2L, 3L, 6L, 7L, 12L, 13L, 16L, 17L
M 25	A+B and C+D	7	1M, 4M, 5M, 10M, 11M, 16M, 17M
M 32	A+B and C+D	5	1M, 8M, 9M, 14M, 15M
M 40	A+B and C+D	5	1M, 8M, 9M, 14M, 15M
M 50	A+B and C+D	1	1M
		2	14sM, 15sM oder 1M, 14sM oder 1M, 15sM

- Other equivalent entry sizes (such as Pg) are available.
- Entry sizes may be mixed on each side.
- EEx e II nylon stopping plugs can be connected as required.

Order no.: GB-400

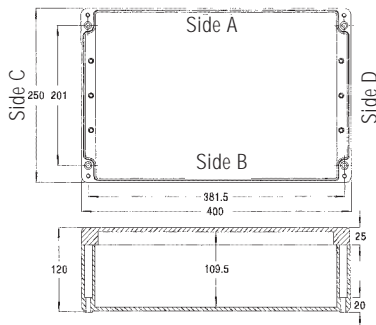


Distribution box GB-400/2

Selection chart

Max. number of terminals	Number of rails	Max. current (A)	Max. voltage (V)	Conductor size range (mm ²)	Earth terminal	Conductor size range (mm ²)
23 SAK 2.5	1 or 2	15	550	0.5 to 2.5	EK 4	0.5 - 4.0
18 SAK 4	1 or 2	21		0.5 to 4.0		
18 SAK 6N	1 or 2	26		0.5 to 6.0	EK 10	
16 SAK 10	1 or 2	37		6.0 to 10.0		
15 SAK 16	1	47	726	6.0 to 16.0	EK 16	6.0 to 16.0
14 SAK 35N	1	75		2.5 to 35.0	EK 35	6.0 to 35.0
23 WDU 2.5	1 or 2	15		0.22 to 2.5	WPE 2.5	1.5 to 2.5
18 WDU 4	1 or 2	21		1.5 to 4.0	WPE 4	1.5 to 4.0
18 WDU 6	1 or 2	26		1.5 to 6.0	WPE 6	1.5 to 6.0
14 WDU 10	1 or 2	37		1.5 to 10.0	WPE 10	1.5 to 10.0
14 WDU 16	1 or 2	47		1.5 to 16.0	WPE 16	1.5 to 16.0
9 WDU 35	1 or 2	75		2.5 to 35.0	WPE 35	2.5 to 35.0

Dimensions



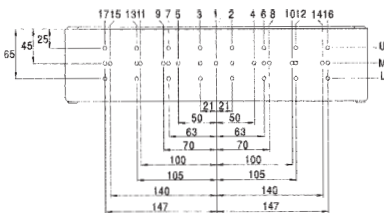
All dimensions in mm.
Fixing hole diameter 7 mm.

- A maximum of 2 earth bars type QS9 may be supplied.
- Alternative terminal types are available.

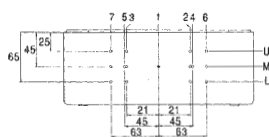
The maximum number of terminals listed above depends on the maximum conductor size and maximum current. At least one earth terminal must be supplied.
The enclosure can be mounted with the terminal strip horizontally or vertically aligned.

Entry positions

View on sides A+B



View on sides C+D



Standard entry arrangements

Thread size	Side	Max. entries per side	Position of holes
M 20	A+B	8	2M, 3M, 6M, 7M, 12M, 13M, 16M, 17M
	A+B	16	2U, 2L, 3U, 3L, 6U, 6L, 7U, 7L, 12U, 12L, 13U, 13L, 16U, 16L, 17U, 17L
M 25	C+D	4	2M, 3M, 6M, 7M
	C+D	8	2U, 2L, 3U, 3L, 6U, 6L, 7U, 7L
M 32	A+B	5	1M, 8M, 9M, 14M, 15M
	C+D	2	4M, 5M
M 40	A+B	5	1M, 8M, 9M, 14M, 15M
	C+D	2	4M, 5M
M 50	A+B	1	1M
	C+D	1	1M

- Other equivalent entry sizes (such as Pg) are available.
- Entry sizes may be mixed on each side.
- EEx e II nylon stopping plugs can be connected as required.

➔ Order no.: GB-400/2