

DIL switch (SW3) settings

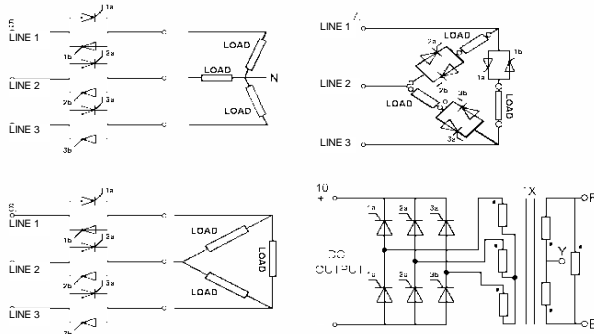
Table A

Switch No.1	Function Selected		
Position 1	Up	On	"A" internally enabled
	Down	Off	"A" internally disabled
Switch No.2	Function Selected		
Position 1	Up	On	0-10V Signal
	Down	Off	0-5V Signal
Switch No.3	Function Selected		
Brown Position 1	Up	On	Analogue input, 0-5Vdc, 0-10Vdc and 4-20 mA and SW1 in the on position
	Down	Off	Logic inputs A: Phase Angle, B: Burst Fire, U: Up, D: Down
Red Position 2	Up	On	Limit input 0-5V dc, current limit set by VR2, current trip set by VR1
	Down	Off	Limit input off
Orange Position 3	Up	On	Inductive load timing
	Down	Off	Resistive load timing
Yellow Position 4	Up	On	Reverse pulse transformer outputs
	Down	Off	Standard pulse transformer outputs
Green Position 5	Up	On	Soft Start/Slew rate ENABLED (1 second factory preset)
	Down	Off	Soft Start/Slew rate DISABLED
Blue Position 6	Up	On	Timing for 12 pulse operation using additional FC36M
	Down	Off	Standard timing position

Power connections

AS SHOWN ON STACK DATA SHEET

- 5 4 WIRE 3 PHASE WITH STAR POINT TO NEUTRAL
NOTE: FLOATING STAR LOAD WHEN NEUTRAL NOT USED
- 6 3 WIRE 3 PHASE CLOSED DELTA LOAD
- 7 4 WIRE 3 PHASE OPEN DELTA LOAD
- 8 3 PHASE CONTROLLED DC



6

TECHNICAL SPECIFICATION

SUPPLY

FC36MV (400V)
FC36MV (230V)
FC36MV (110V)

360/440V ac @ 50/60 Hz
205/255V ac @ 50/60 Hz
95/125V ac @ 50/60 Hz

ISOLATION

Isolation voltage

3500Vrms

CURRENT CONSUMPTION

Full conduction – TX secondary

500mA

GATE PULSES

Initial short circuit gate current
Sustaining short circuit gate current
Initial pulse voltage (open circuit)
Sustaining pulse voltage (open circuit)
Initial gate pulse rate of rise
Pulse width 50/60 Hz
Pulse train frequency

750mA
400mA
10V
8V
1A/us
22us
25 kHz

OPERATION MODES

Selection by input enable or auto

Burst Fire and Phase Angle

CONTROL SIGNAL ANALOGUE

Voltage signal into 10K ohms / 20K ohms
Current signal into 240 ohms

0 – 5 V dc / 0-10V dc
4 – 20 mA

CONTROL SIGNAL LOGIC

Opto-isolated inputs

5 – 24 V dc

SOFT START

Adjustable range from power up

0 – 30 seconds

CURRENT LIMIT

Controlled limit or over-current trip

0-5V dc

LOAD OPTIONS

Selection by switch (SW3)

Resistive or Inductive

TEMPERATURE LIMITS

Operating range (°C)
Storage (°C)

0 - 65°C
0 to 85°C

MECHANICAL DIMENSIONS

Length (mm) x Width (mm) x Height (mm)
Fixing centres and holes (mm)

203 x 108 x 40
2 by 96.5 x75 (3.5mm Holes)

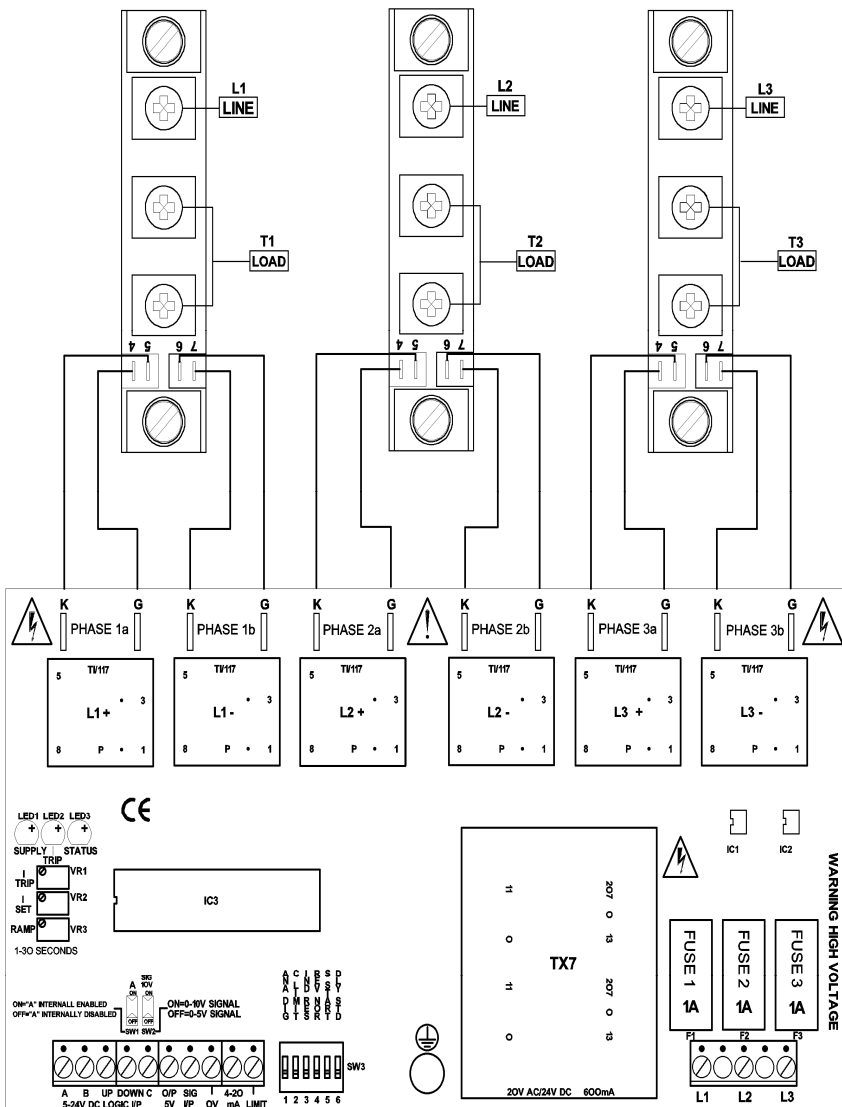
FUSING

It is recommended that semiconductor fast acting type fuses or circuit breakers (Semiconductors – MCB) be used for device protection. On initial operation, some loads may need an increased Factor of Safety (F of S) for unit and/or device protection.

See SRA Data sheet X10255 for further information.

7

THYRISTOR CONNECTIONS



LOGIC CONTROL INPUT

The logic control inputs are optically isolated and are ideally utilised for remote control in electrically noisy environments. The logic inputs A, B, UP and DOWN are activated by a 5 to 24 V dc signal with respect to terminal C which is 0 V. The logic input can also be activated by the 5V dc output from the FC36MV via relay switching.

For the following logic control options, position No.1 on the 6 way DIL switch (SW3) should be switched to the OFF position. For additional control options see table A.

Logic control

Maximum power output levels are set by the input voltage at the terminal marked SIG I/P. With, for example, 4V on this input, the output will be limited to a maximum of 80%. Link the SIG I/P terminal to the 5V output terminal for 0-100% control range.

Phase Angle control

Option 1 – the switch marked SW1 can be switched to the ON position, which utilises the internal 5V supply. This ON position simply connects terminals A with 5V.

Option 2 – the switch marked SW1 can be switched to the OFF position. The position isolates the inputs and disconnects terminals A from 5V. Inputs A and C then require an external supply between 5 and 24V dc.

To increase output power

The terminal marked UP requires a 5 to 24 V dc supply. Terminal C is 0V. The output power will increase at a rate determined by the ramp setting on VR3 (0-30 seconds). The output will reach its maximum when the ramp time has elapsed. If the UP signal is terminated during the ramp time the output will remain at that level, for example, if ramp time is 10 seconds. UP signal is on for 5 seconds, power output will ramp up to 50%.

To decrease output power

The terminal marked DOWN requires a 5 to 24V dc supply. Terminal C is 0V. The output power will decrease at a rate determined by the ramp setting of VR3. The output will decrease to zero should the DOWN signal be maintained. If the DOWN signal is interrupted before the ramp down time has elapsed, the output will stay at that level. Proportional control can be achieved with an on/off signal. This arrangement is particularly useful for temperature controllers, relay switching and PC based process controllers.

Burst Fire control

The switch marked SW1 should be switched to the OFF position and the terminal marked B should be linked to 5V. Link terminals marked 5V and SIG I/P. For remote Burst Firing control, a 5 to 24V dc signal should be connected between B and C. C is 0V.

Inductive or Resistive loads

With switch position 3 on DIL switch No.3 in the OFF position, the firing circuit is configured to control resistive and some slightly inductive loads. When the switch is in the ON position, the firing circuit should be used on inductive (transformer and coil) type loads.

Current Limit

The current limit input is designed to operate from a 0-5V dc input connected between terminals marked LIMIT input and 0V. The current limit feedback signal is fed into the microprocessor IC3 and compared with the voltage set by VR2 (I SET). When the feedback voltage is greater than the voltage on pin 5 (IC3), the controller will start to ramp down until the current reaches the I SET level.

Current Trip

The current trip is designed to operate from a 0-5V dc input connected between terminals marked LIMIT input and 0V. The current limit feedback signal is fed into the microprocessor IC3 and compared with the voltage set by VR3 (I TRIP). When the feedback voltage is greater than the voltage on pin 7 (IC3), the controller will shut down immediately and will stay latched in this state until the microprocessor is powered down or reset. The voltage on pin 7 (IC3) is normally set to 4.2V to allow for a 120% maximum current level.

Manual Control

The FC36MV firing circuit has a 5Vdc output that can be used to supply the clockwise end of a 5K ohm potentiometer. The wiper is connected to the terminal marked SIG I/P and the counterclockwise end to 0V.

Voltage control

For control using a remote dc signal the positive input should be connected to the terminal marked SIG I/P and the negative input to be connected to 0V. The input impedance is 10K ohms for 0-5V input and 20K ohms for 0-10V input.

Current control

For current control connect a 4-20mA dc signal between terminals marked 4-20mA and 0V. This input can also be used as 1-5V dc input. The input impedance is 240 ohms.

Phase Angle control

Option 1 - the switch marked SW1 should be switched to the on position. This position connects terminals A with 5V.

Option 2 – (see Soft Starting) the switch marked SW1 can be switched to the OFF position. The OFF position isolates the inputs and disconnects terminals A from 5V. Inputs (A and C) then require an external supply between 5 and 24V dc.

Burst Firing control

The switch marked SW1 should be switched to the OFF position and the terminal marked B should be linked to 5V.

Phase Angle to Burst Firing control

The switch marked SW1 should be switched to the ON position and terminals A and B should be linked together. The firing circuit will start in phase angle mode and switch to burst mode when the control signal ramps up to the set point. It will stay in burst mode even if the signal drops below the set point. It will restart in phase angle mode when the unit is switched off or reset.

Soft Start

When the FC36MV is initially powered up the output is inhibited for 0.5 seconds, then the soft start is automatically enabled and the firing circuit will ramp up at a rate determined by VR3 (0-30 seconds). The ramp time relates to full conduction, for example, if the ramp time is set to maximum (30 seconds) and the set point is 50% the controller will ramp to the set point in 15 seconds.

Soft Stop and Soft Start after power up

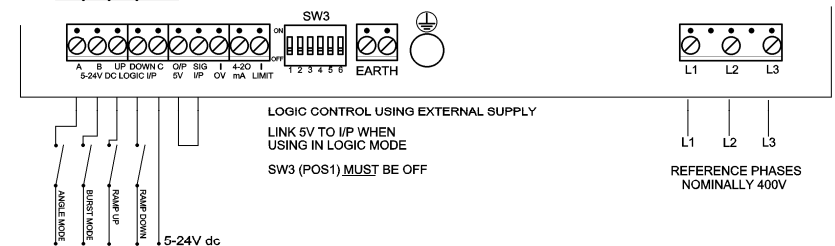
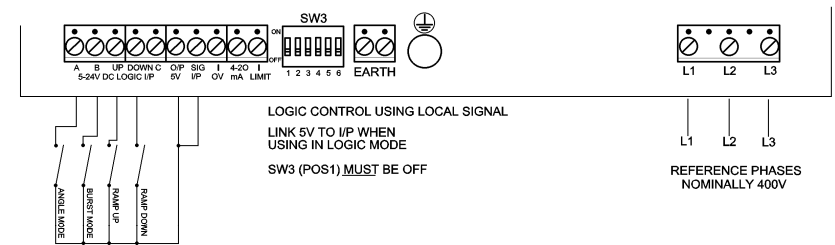
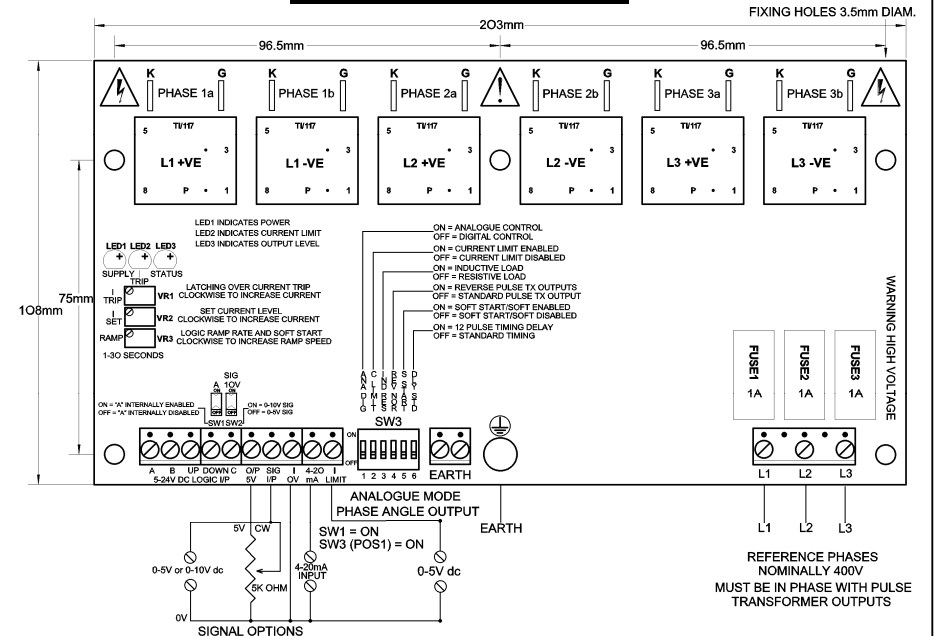
Soft Stop after power up can be achieved by disconnecting the I/P signal. SW3 position No.5 should be switched ON, thus bringing in a preset "slew" rate of 1 second. Other rates of up to 5 seconds can be programmed via a Commander Module. Refer to the Commander Module manual for more information. Whilst the signal is present it will remain in the on state until the signal is removed.

Another option is to Enable/Disable the ramp down input. Enabling it will ramp down the output at a rate determined by VR3. Disabling it will ramp up the output up to the level on the SIG I/P terminal, again at a rate determined by VR3.

Hard Stop and Hard Start after power up

Hard Start and Hard Stop after power up can be achieved with the switch marked SW1 in the OFF position and the ramp preset (VR3) turned to the fully clockwise position. When A or B inputs are enabled or disabled and SW3 position No.5 is in the OFF state, the firing circuit will immediately turn on and off.

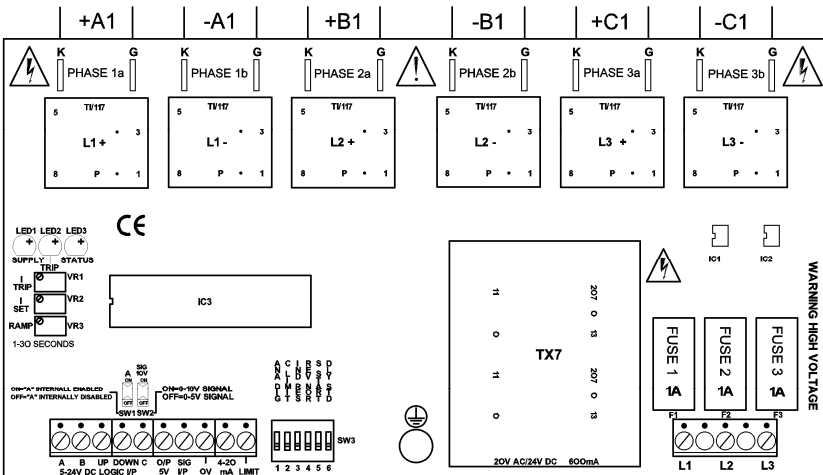
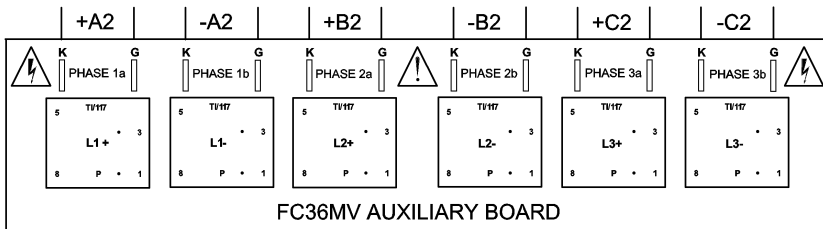
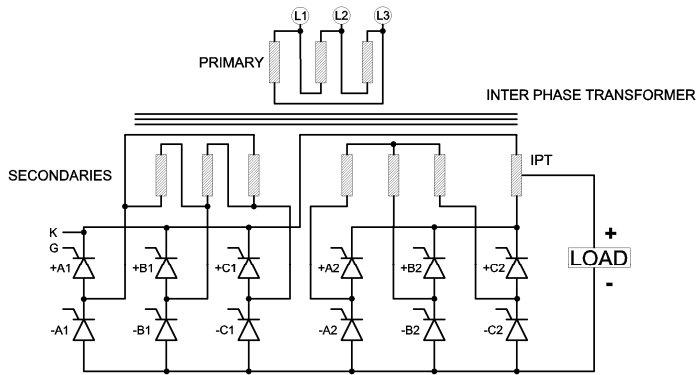
CONTROL OPTIONS



WARNING

ENSURE SUPPLY IS OFF WHEN MAKING CONNECTIONS AND ADJUSTING ON BOARD SWITCHES

TWELVE PULSE CONNECTIONS



Application

- Power Supplies
- Half and Fully controlled Rectifiers
- AC Motor Control
- DC Motor Control
- Soft Starters
- Heater Controllers
- Induction Generator
- AC Voltage Regulation
- Three Phase Transformer Control

Additional Firing boards can be configured to trigger paralleled SCR's for very high current applications or to provide a twelve pulse driver for smooth DC control

Optional Extras

- Din rail housing (W30105)
- Commander module (A402131)
- Signal conditioning board (A402086)
- Thyristor modules, fuses & complete assemblies.

Key Features

Thyristors require a high initial gate current pulse and comparatively wide sustaining pulses to ensure reliable firing, particularly at small phase control angles. The FC36MV provides the following firing specifications

- Gate Drive: Picket Fence with a PRF of 25Khz an initial firing pulse of; 10 volts open circuit. 750 mA into 10 Ohm, and sustaining pulses 400mA into 10 Ohm per output. The sustaining pulses are 20 uS Wide.
- High output initial triggering pulses
- Gate isolation to 3500 V rms.
- Adjustable Soft start and soft start times
- Selectable hard start and hard stop
- 50/60 Hz operation auto selection
- Remote Logic input for control in noisy environment 5-24 V dc
- 3 analogue control inputs 0-5V, 0-10V dc and 4-20mA
- Current control input 0-5V dc
- Over-current limit trip (Latching)
- Adjustable ramp control 0-30 seconds
- Pre-selectable or automatic Phase Angle to Burst Fire control
- Switchable Phase reversal
- Selectable Inductive or Resistive load setting
- Selectable timing delay for use as a twelve pulse driver
- High immunity to mains voltage distortions
- Complete with integral supply transformer.
- Closed loop current or voltage control via optional remote programmer and signal conditioning board.

OPERATING INSTRUCTIONS

APPLICATIONS

The firing circuit responds to voltage or milliamp current signals to produce six, 60° spaced high current thyristor gate pulses. Additional boards can be configured for high current parallel gating of additional thyristors and for twelve pulse converters (rectifiers).

CONNECTIONS

The Gate and Cathode outputs have 6.3mm blade terminals. All other connections are made with captive screw and leaf terminal blocks.

LED INDICATION

Three LED's are used for status and fault indication. LED1 (green) illuminates when the 5 volts dc supply is present.

When SW3 position No 2 is ON, LED 2 (red) will illuminate when the LIMIT input has reached the level set by (I SET)

LED 2 and LED 3 (orange) will alternately flash on a 1 second timebase when the LIMIT input exceeds the value set by VR1 (I TRIP). The FC36MV will shut down and will stay latched in this state until it's powered down or reset.

Under normal conditions LED 3 is used to indicate the output status. In phase Angle mode, when the control signal is increased, so does the brightness of LED 3. In Burst Fire mode LED 3 will pulse on a one second timebase with a variable mark space (on-off) ratio determined by the control signal.

ANALOGUE CONTROL INPUTS

For the following analogue control options the 6 way DIL switch (SW3) should have position No.1 switched to the ON position. For additional control options see table A on page 6 of this manual.

Three Phase Firing Board Model – FC36MV

This manual should familiarise the user with the relevant features and specifications of the FC36MV firing board and incorporates a simple checkout procedure with typical connection diagrams.

FC36MV General information

The FC36MV is a microprocessor version of the industry standard FC36A originally developed in the 1980s. It is smaller in size than its predecessor with a reduced component count, which increases its reliability. It also has more options available with the selections on a six way DIL switch making it much more versatile and economical. It comes with an on board supply transformer.

The FC36MV is a general purpose Phase Angle and Burst Firing circuit with auto phase rotation and phase loss detection designed to be used in a variety of two or three, phase 50/60 Hz applications. It can also be used as a Three single phases to Neutral controller. It is easily configured by the user, to optimise its performance, which is achieved primarily by the use of DIL, switches.

To make a complete three phase controller, the FC36MV requires power devices, protection fuses and a suitable heatsink. It can be used for driving three phase transformer primaries in either star, delta or phase to neutral configurations and can also be configured to control either three phase, half or fully controlled, thyristor bridges.

It may be used on resistive loads (phase to phase or phase to neutral), using burst fire or phase angle, or a combination of both firing modes. Its analogue signal inputs can be used in conjunction with each other, to set two different output levels. The logic opto-coupled inputs allow for remote control in electrically noisy environments. There are two current set points – the lower one is used for current control and the upper limit, when tripped, will cause the unit to latch in the off state.

Closed loop current or voltage control could also be achieved with the aid of the remote programmer and a signal conditioning board. See X10691 for further information.

The firing circuit is based around the PIC18F458 Microprocessor running at a clock frequency of 20MHz, generating six controlled thyristor gate pulses nominally displaced by 60°. It can be controlled by either 0 to 5V, 0 to 10V or 4 to 20mA analogue signal or remote 5 to 24V dc logic signal. The logic inputs also provide remote soft start, soft stop and switching from Phase Angle to Burst Fire either manually or automatically.

This model is available in various supply voltages – see technical specifications for more details.

Remote Programmer

A Commander Module (CM-FC36M/MV) has been introduced to complement this Firing Board. The Commander Module is a Human machine Interface (HMI) control unit, which incorporates a simple keypad to input data and a console that displays all the functional information relating to the firing circuit settings. This includes current control switch settings, the conditions of the inputs and many other features such as timing calibration, slew rate setting.

Its compact size and simple connection by means of a RJ45 lead allows OEMs to easily incorporate the FC36MV into their product design and end users can update existing equipment very quickly with little development costs. It can also be supplied with a DIN rail mounting enclosure.

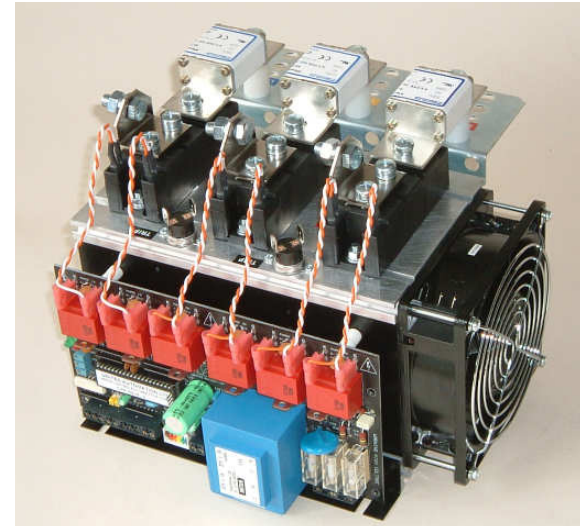
Please refer to the Commander Module manual for further information.

RECOMMENDATION & SAFETY REQUIREMENTS

Other documents, which may be appropriate for your applications, are available on request.

CODE	IDENTITY	DESCRIPTION
X10229	RFI	Filter recommendation: Addressing EMC.
X10213	ITA	Interaction: Uses for phase angle and for burst fire control.
X10255	SRA	Safety requirements: Addressing the Low Voltage Directive (LVD) including, Thermal data/cooling, Live parts warning Earth requirements and Fusing recommendations.
X10378	ILR	Inductive loads remedy sheet for use with Phase angle controllers.
X10652	CM-(FC36M/MV)	Commander module (remote programmer)
X10691		Signal Conditioning Board
AP02/4	COS	UAL Conditions of sale

NOTE: It is recommended that installation and maintenance of this equipment should be carried out by suitably qualified personnel, with reference to the current edition of the I.E.E. Wiring Regulations BS7671. The regulations contain important requirements regarding the safety of electrical equipment. For International Standards refer to I.E.C. Directive I.E.C. 950.



Example HAC with FC36MV

UNITED AUTOMATION LTD – Putting you in control

The FC36MV is one of a range of quality, reliable and cost effective power control products that we offer. For further details see our website www.united-automation.com

Product Portfolio

Power Supplies to Specification
Heating, Ventilation and Air Conditioning (HVAC) systems
Automatic Control Systems
Thyristor or Operated Systems
Electronic Controls for Heating Systems
Thyristor Phase Control Products
Microprocessor based Water Heating Controllers
Command & Control Systems
Modular High Voltage Power Supplies
Electronic Temperature Controllers
Automatic Control Systems for Controlled Atmosphere
Furnaces
Automation Control Systems for Glass and Ceramics
Manufacturing
Solid State Power Supplies for Electroplating
Triacs
Semiconductor Controlled Rectifier Stacks
Thyristor Trigger Modules
Electronic Assemblies
Solar Heating Automatic Control Systems
Solid State Relays
Digital Energy Modules
Fuses
Filters (Single and 3 Phase)

Product Applications

Heaters
Ovens
Stress Relieving
Lighting Equipment
Power Supplies
Furnaces
Vats
Trace Heating
Annealing
Vibrators
Dryers
Extruders
Smelting
Plating
Electromagnets
Voltage Controlled Motors
Pipe Heating
Process Heating
Vending Machines
Space Heating
Lamp Loads
Blenders
Mixers
Pumps
Quartz Lamps
Fans

Three Phase Firing Board Model – FC36MV



User Manual



1 Southport Business Park, Kew, Southport, PR8 4HQ
Tel: 01704 516500 Fax: 01704 516501
www.united-automation.com
Enquiry@united-automation.com



RoHS Compliant
Directive
2002/95/EC

X20006

Issue 1

9/12/07