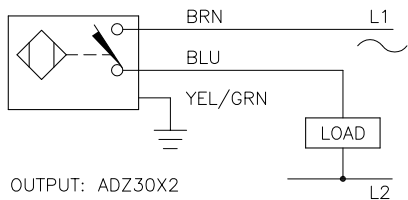


WIRING DIAGRAM

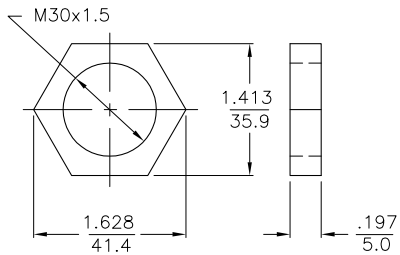
LOCKNUT LN-M30

SPECIFICATIONS

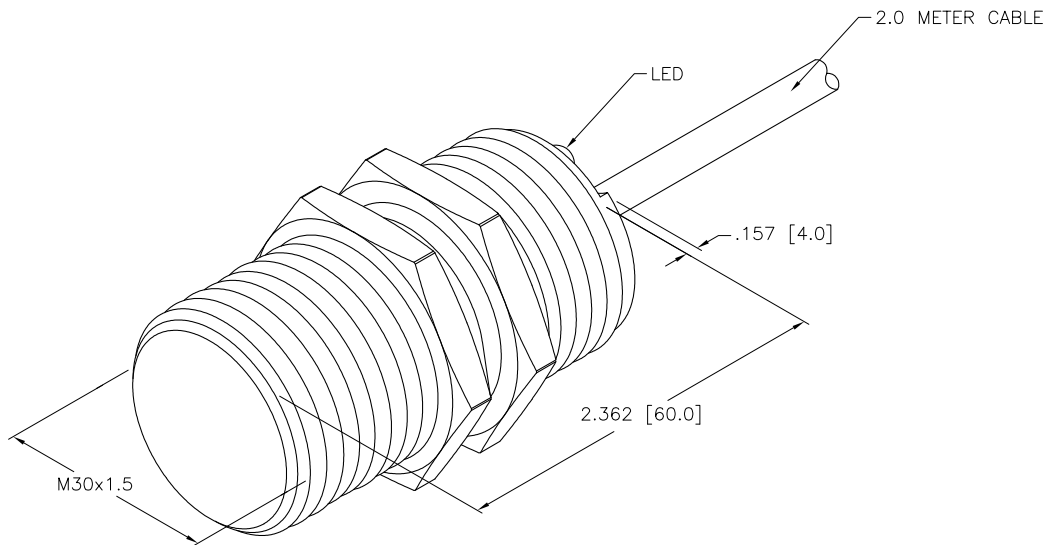


OUTPUT: ADZ30X2

SHORT-CIRCUIT AND OVERLOAD PROTECTED



|                                   |                                  |
|-----------------------------------|----------------------------------|
| RATED OPERATING DISTANCE          | 15mm = .591"                     |
| MOUNTING MODE                     | FLUSH                            |
| REPEATABILITY                     | ≤ 2%                             |
| HYSTERESIS                        | 3-15%                            |
| AMBIENT TEMPERATURE               | -25°C to +70°C (-13°F to +158°F) |
| OPERATING VOLTAGE                 | 20-250 VAC/10-300 VDC            |
| RATED OPERATIONAL CURRENT (AC/DC) | ≤400 mA/≤300 mA                  |
| MAINS FREQUENCY                   | 50-60 Hz                         |
| RESIDUAL CURRENT                  | ≤ 1.7 mA                         |
| RATED INSULATION VOLTAGE          | ≤ 1.5 kV                         |
| SURGE CURRENT                     | ≤ 3.0 A (≤ 20 ms Max. 5 Hz)      |
| SHORT-CIRCUIT PROTECTION          | YES                              |
| MAX. VOLTAGE DROP                 | ≤ 6.0 V                          |
| WIRE BREAK PROTECTION             | INCORPORATED                     |
| REVERSE POLARITY PROTECTION       | INCORPORATED                     |
| OUTPUT FUNCTION                   | 2-WIRE, NORMALLY OPEN            |
| SMALLEST OPERATING CURRENT        | ≥ 3.0 mA                         |
| SWITCHING FREQUENCY               | ≤ 0.02 kHz                       |
| HOUSING MATERIAL                  | BRASS/CHROME-PLATED              |
| ACTIVE FACE MATERIAL              | PLASTIC, PA 12                   |
| END CAP MATERIAL                  | PLASTIC, EPTR                    |
| CABLE                             | ø5.2, PVC                        |
| VIBRATION RESISTANCE              | 55 Hz (IN ALL 3 PLANES)          |
| SHOCK RESISTANCE                  | 30 g, 11 ms                      |
| PROTECTION DEGREE                 | IP67                             |
| SWITCHING STATUS INDICATION       | LED; RED                         |



|   |                          |  |  |                                 |
|---|--------------------------|--|--|---------------------------------|
| RELATED DOCUMENTS<br>1.<br>2.<br>3.<br>4. | 3RD ANGLE PROJECTION<br> | THIS DRAWING IS CONFIDENTIAL AND THE PROPERTY OF TURCK INC. USE OF THIS DOCUMENT WITHOUT WRITTEN PERMISSION IS PROHIBITED. | <b>TURCK INC</b><br>High Technology Sensors and Automation Controls<br>3000 CAMPUS DRIVE<br>MINNEAPOLIS, MN 55441<br>1-800-544-7769<br>(763) 553-7300<br>(763) 553-0708 fax<br>turck.com |                                 |
|   | MATERIAL<br>SEE SPECS    | ALL DIMENSIONS DISPLAYED ON THIS DRAWING ARE FOR REFERENCE ONLY  | DRFT CBM DATE 01/20/00   | DESCRIPTION<br>Bi15-G30-ADZ30X2 |
|   | FINISH<br>SEE SPECS      |  | DSGN - SCALE 1=1.0   |                                 |
|   |                          |  | UNIT OF MEASUREMENT<br><b>INCH [ MILLIMETER ]</b>  | IDENTIFICATION NO.<br>T4207200  |

|     |                          |    |          |         |
|-----|--------------------------|----|----------|---------|
| B   | UPDATE OPERATING VOLTAGE | IK | 11/01/00 | T4086   |
| REV | DESCRIPTION              | BY | DATE     | ECO NO. |

DO NOT SCALE THIS DRAWING

FILE: T4207200

SHEET 1 OF 1