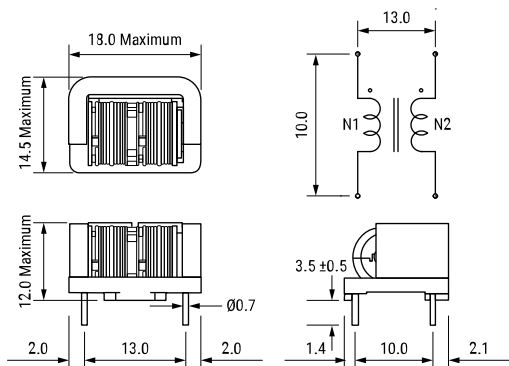


**KEMET Part Number: SSRH7H-M05408**  
(UALSH7M0540800)

KEMET, SSRH7H-M, AC Line Filters, Common Mode, 0.0408 H



#### Dimensions

<b>L</b>	18mm MAX
<b>T</b>	14.5mm MAX
<b>H</b>	12mm MAX
<b>LL</b>	3.5mm +/-0.5mm
<b>S</b>	13mm NOM

#### Packaging Specifications

<b>Packaging:</b>	Tray
<b>Packaging Quantity:</b>	600
<b>Weight:</b>	5.2 g

#### General Information

<b>Series:</b>	SSRH7H-M
<b>Style:</b>	Through-Hole
<b>RoHS:</b>	Yes
<b>Notes:</b>	M05 Lot No.
<b>Miscellaneous:</b>	Temperature Rise Maximum: 55 K

#### Specifications

<b>Voltage AC:</b>	250 VAC
<b>Inductance:</b>	40.8 mH (10 kHz)
<b>Current:</b>	500 mA
<b>Temperature Range:</b>	-25/+120°C
<b>DC Resistance:</b>	1.36 Ohms