

➔ SERIES 1840 - SINGLE AND DOUBLE-POLE PUSHBUTTON SWITCHES

TO 6 (4) A 250 V AC




PRODUCT FEATURES

- ➔ 100 million times proven switching principle with long life endurance with 100 000 mechanical switching cycles
- ➔ Fastening by round nut M12
- ➔ Excellent actuating characteristic
- ➔ Variant for snapping on customized pushbuttons

ON REQUEST


- ➔ Higher power with 6 (6) A 250 V AC
- ➔ Other terminal types
- ➔ Cable assembly


Mechanical life endurance	10E4
Contact resistance (new condition)	< 100 mOhm (1 A 12 V DC)
Insulation resistance (new condition)	> 100 MOhm (500 V DC)
Proof tracking	250 PTI
Protection type	IP 40
Ambient temperature	terminal side -20 °C ... +100 °C actuating side -20 °C ... +55 °C
Flammability	UL 94 V-2
Glow wire test temperature	850 °C
Material	actuator housing terminals
	PA PA glass fiber-reinforced / PA silver plated
Plug force of the terminals	≤ 80 N
Approval marks	
Suitable for appliances of protection class II	



SERIES 1840 - SINGLE AND DOUBLE-POLE PUSHBUTTON SWITCHES

TO 6 (4) A 250 V AC

 single-pole	Actuator color / printing	Housing color	6 (4) A 250 V AC 5E4	6 (2) A 250 V AC 5E4	6 A 250 V AC 1/2 HP	6 A 125 V AC 1/4 HP	6 A 125 - 250 V AC 1/8 HP	Terminal type	Terminal description	Contact distance (mm)	Contact material	Miscellaneous	Stock version
	ON / OFF switch (SPST)												
1841.1101			<input type="radio"/>	<input type="radio"/>	<input type="radio"/>	<input type="radio"/>	<input type="radio"/>		4.8	≥ 3	Ag		<input type="radio"/>
1841.6101			<input type="radio"/>	<input type="radio"/>	<input type="radio"/>	<input type="radio"/>	<input type="radio"/>		4.8	≥ 3	Ag	snap-on actuator caps see page 119	
Normally closed contact (SPNC)													
1841.1301			<input type="radio"/>	<input type="radio"/>	<input type="radio"/>	<input type="radio"/>	<input type="radio"/>		4.8	≥ 3	Ag		<input type="radio"/>
Normally open contact (SPNO)													
1841.1201			<input type="radio"/>	<input type="radio"/>	<input type="radio"/>	<input type="radio"/>	<input type="radio"/>		4.8	≥ 3	Ag		<input type="radio"/>
Changeover switch (SPDT)													
1843.1101			<input type="radio"/>	<input type="radio"/>	<input type="radio"/>	<input type="radio"/>	<input type="radio"/>		4.8	≥ 3	Ag		
Changeover switch (SPDT momentary)													
1843.1201			<input type="radio"/>	<input type="radio"/>	<input type="radio"/>	<input type="radio"/>	<input type="radio"/>		4.8	≥ 3	Ag		<input type="radio"/>

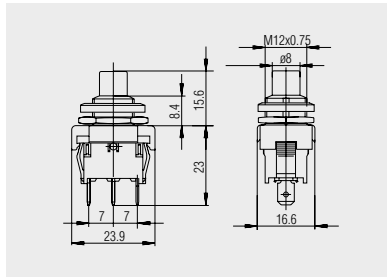
 double-pole	Actuator color / printing	Housing color	6 (4) A 250 V AC 5E4	6 (2) A 250 V AC 5E4	6 A 250 V AC 1/2 HP	6 A 125 V AC 1/4 HP	6 A 125 - 250 V AC 1/8 HP	Terminal type	Terminal description	Contact distance (mm)	Contact material	Miscellaneous	Stock version
	ON / OFF switch (DPST)												
1842.1101			<input type="radio"/>	<input type="radio"/>	<input type="radio"/>	<input type="radio"/>	<input type="radio"/>		4.8	≥ 3	Ag		
1842.6101			<input type="radio"/>	<input type="radio"/>	<input type="radio"/>	<input type="radio"/>	<input type="radio"/>		4.8	≥ 3	Ag	snap-on actuator caps see page 119	

ROTARY SWITCHES
 PUSHBUTTON SWITCHES
 TOGGLE SWITCHES
 SLIDE SWITCHES
 ROTARY SWITCHES
 FOOT SWITCHES
 TACT AND KEY SWITCHES
 SNAP-ACTION SWITCHES
 MICRO-SIGNAL SWITCHES
 SENSORS
 ECO
 PUSH N'DRIVE



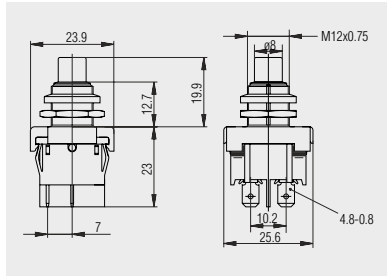
SERIES 1840 - SINGLE AND DOUBLE-POLE PUSHBUTTON SWITCHES

TO 6 (4) A 250 V AC



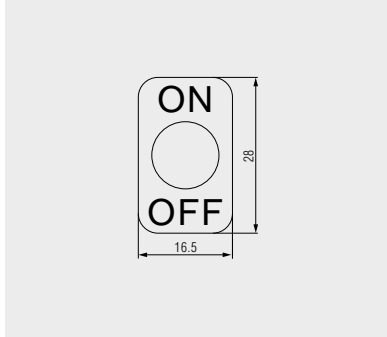
Basic types 1841 and 1843
single-pole

Quick-connect terminal 4.8 x 0.8



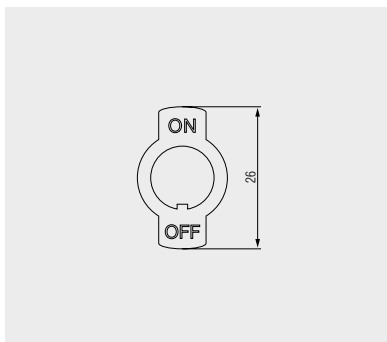
Basic type 1842
double-pole

Quick-connect terminal 4.8 x 0.8



Identification plate
240.001.011

Aluminum identification plate to plugging on and with black inscription "ON" and "OFF"



Identification plate
240.002.011

Identification plate made of CuZn nickel-plated for plugging on as well as with twist protection and stamped inscription "ON" and "OFF"

ROCKERSWITCHES

PUSHBUTTON SWITCHES

TOGGLE SWITCHES

SLIDE SWITCHES

ROTARY SWITCHES

FOOT SWITCHES

TACT AND KEY SWITCHES

SNAP-ACTION SWITCHES

MICRO-SIGNAL SWITCHES

SENSORS

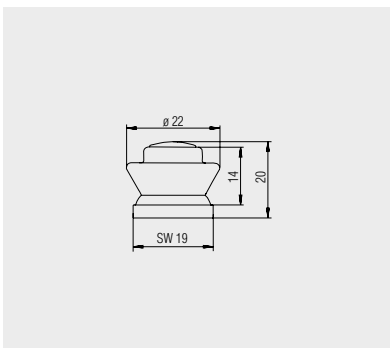

ECO

PUSH'N'DRIVE



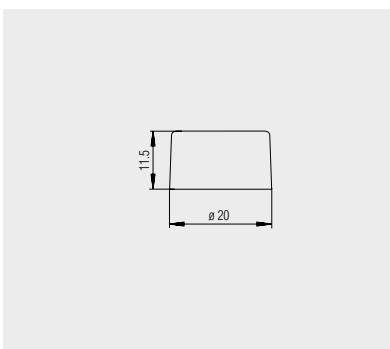

SERIES 1840 - SINGLE AND DOUBLE-POLE PUSHBUTTON SWITCHES

TO 6 (4) A 250 V AC



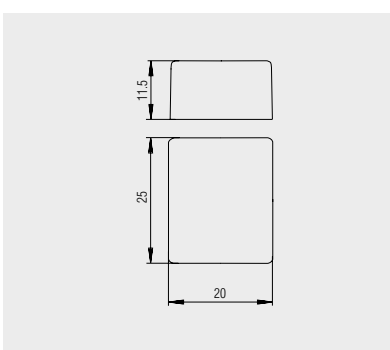

Neopren®-cap for pushbutton (M12 x 0.75) basic type 1840 as dust and water protection. Pushbutton plate on top of cap is CuZn nickel plated.

Protection cap
343.002.023



Pushbutton made of PA black, with diameter 20 mm for assembly by customer on 1841.6101 and 1842.6101

Pushbutton
205.008.011



Pushbutton made of PA black, rectangular 20 x 25 mm for assembly by customer on 1841.6101 and 1842.6101

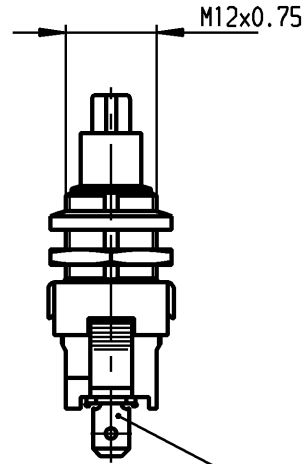
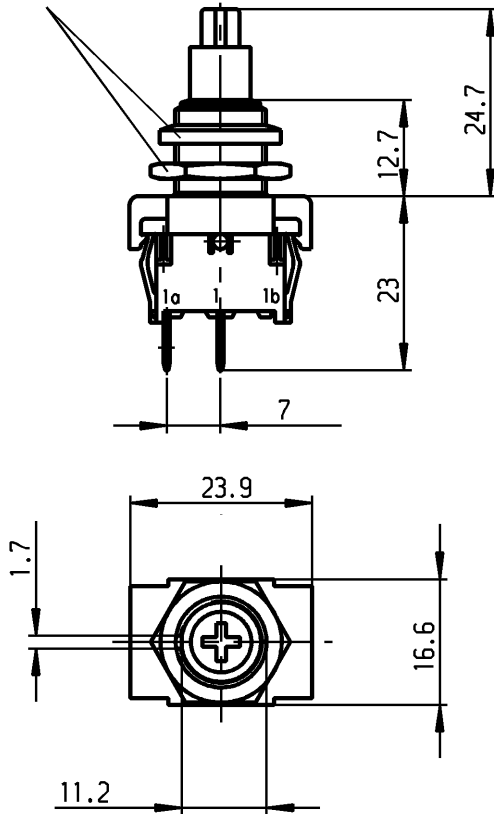
Pushbutton
203.106.011

ROCKER SWITCHES
PUSHBUTTON SWITCHES
TOGGLE SWITCHES
SLIDE SWITCHES
ROTARY SWITCHES
FOOT SWITCHES
TACT AND KEY SWITCHES
SNAP-ACTION SWITCHES
MICRO-SIGNAL SWITCHES
SENSORS
ECO
PUSH N' DRIVE

VERTRAULICH-CONFIDENTIAL

© Alle Rechte bei Marquardt, auch fuer den Fall von Schutzrechtsanmeldungen. Jede Verfuegungsbefugnis, wie Kopier- und Weitergaberecht, bei uns.
 © This document is the exclusive property of Marquardt. Without our consent, it may not be reproduced or given to third parties.

Muttern Lose beigelegt
 nuts loose added



Flachstecker aehnlich plug-in sim.
 DIN 46 244-A4.8-0.8

**Aufschrift
 Marking**

Ⓜ
 1841.
 6(4)/250~5E4 T100/55
 05
 6A 125-250V AC
 1/4HP 125V AC
 1/2HP 250V AC
 R30

Ausschalter 1-polig

Für Gerate der Klasse II geeignet

SPST

suitable for appliances of class II

Herstellort /-jahr/-woche nach DIN EN 60062
 date of manufacture: place/year/week acc. to DIN EN 60062

Diese Unterlage ist geistiges Eigentum der Firma Marquardt. Schutzvermerk nach DIN 34 beachten. Copyright reserved.

Für Form und Lage FOR SHAPE AND LOC. Für Winkel FOR ANGLE ± 2°		Allgemeintoleranzen UNTOLERANCED DIMENSIONS			Pause COPY	Blatt SHEET 01	Typ K	Zeichn./DRAWING NO. 1841.6101	Index
PROJECTION 		Abmasse und Nennmassbereiche Angaben in mm	Laengen LENGTH	Radien RADII	Original DIN A4	Maßstab SCALE 1:1	Gerateschalter appliance switch		
ALL DIMENSIONS ARE IN MILLIMETRES		0-6 ± 0.2 >6-15 ± 0.4 >15-30 ± 0.4 >30-70 >70-120 >120-200	0 10 20 30 mm	CAD Medusa Z	gez./DRAWN BY 09.11.00B.Zim gepr./CHECKED BY		Ersatz für/REPLACEMENT OF Zchnng.qL.Nr.v.05.11.81		
c 29875 09.11.00 B.Zim	g	a 15921 14.05.84 Rie	f	e 64533 21.04.10 Mut	MARQUARDT Marquardt, D-78604 Riethem-Weilheim		RELEASED/FREIGEgeben 2010/May/05		
d 56042 21.01.08 vor	gez. DRAWN BY	Ausg. ISSUE	Änderung REVISION	gez. DRAWN BY					