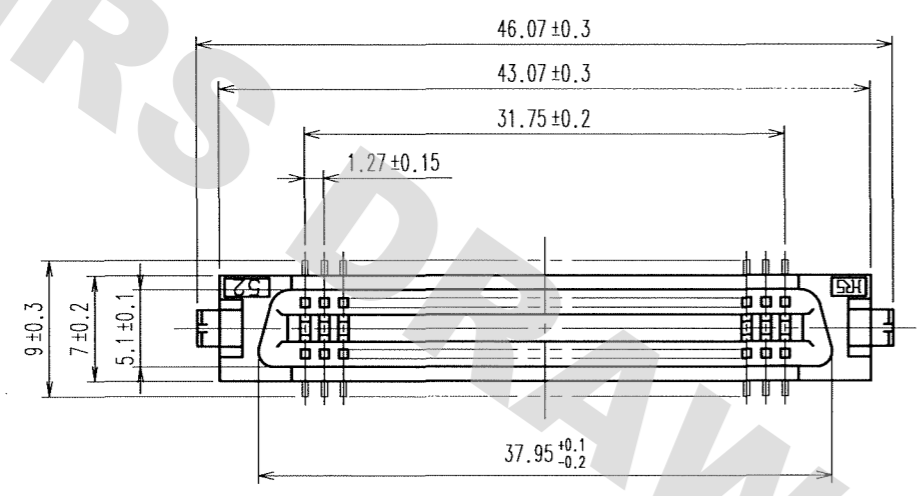
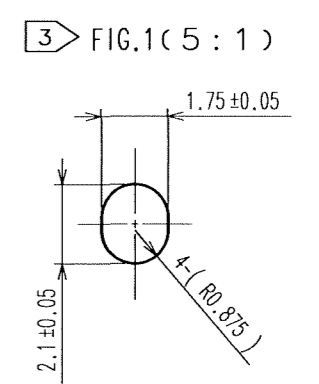
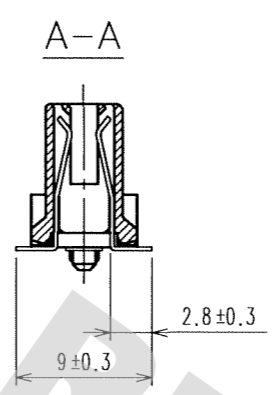
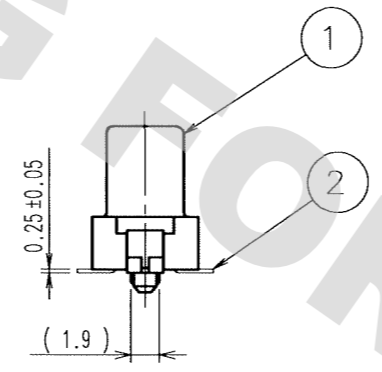
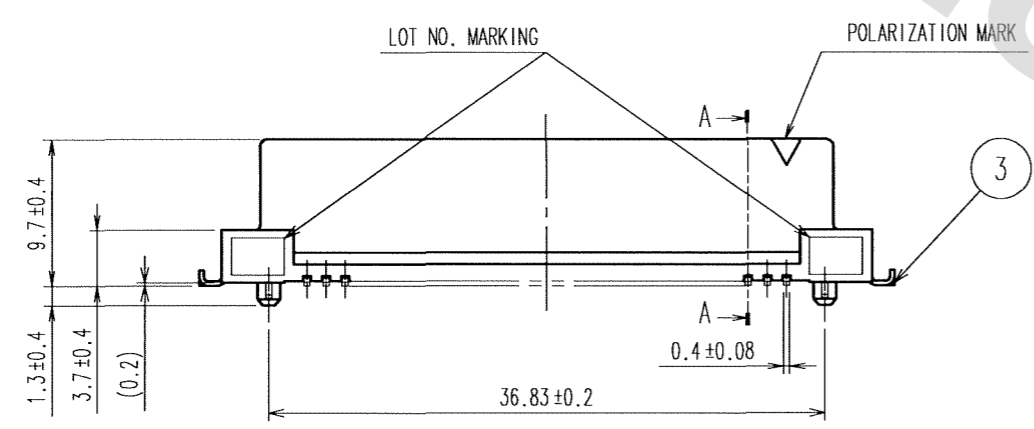
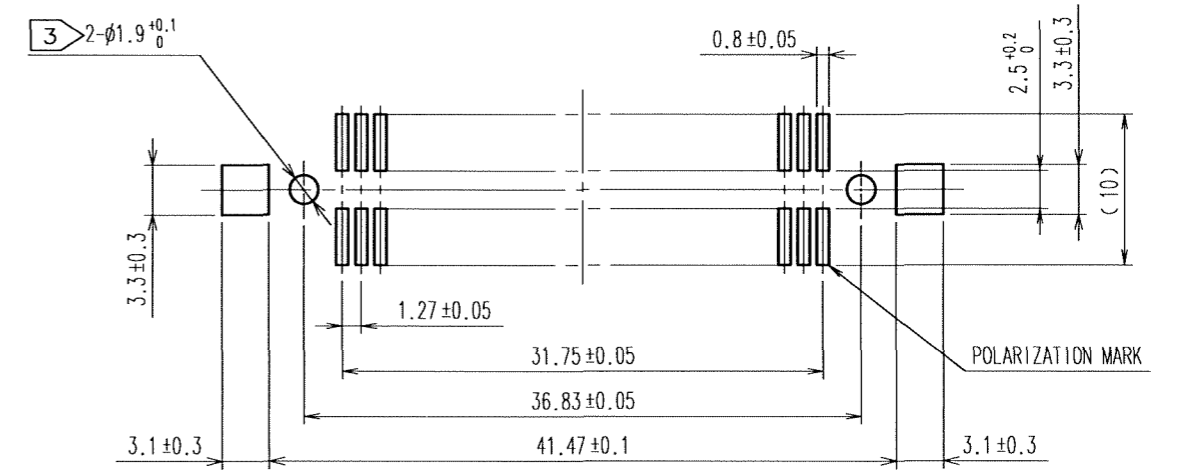


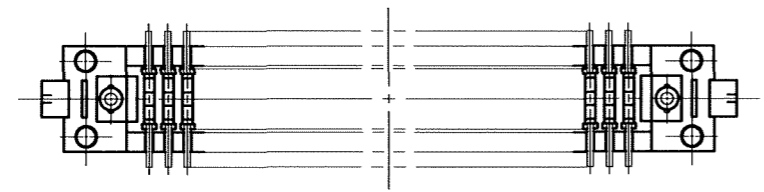
COUNT	DESCRIPTION OF REVISIONS	BY	CHKD	DATE	COUNT	DESCRIPTION OF REVISIONS	BY	CHKD	DATE
△				..	△				..
△				..	△				..
△				..	△				..



RECOMMENDED LAND PATTERN DIMENSION OF PCB (MOUNTING SIDE)



- NOTES
- 1 LEAD CO-PLANARITY SHALL BE 0.15 MAX.
 - 2 THE DIMENSIONS IN PARENTHESES ARE FOR REFERENCE.
 - 3 IN CASE OF THE AUTOMATED MOUNTING, RECOMMENDED HOLE DIAMETER OF BOSS IS SHOWN IN FIG.1.



NO.	MATERIAL	FINISH, REMARKS	NO.	MATERIAL	FINISH, REMARKS
3	BRASS	TIN-PLATING	2	PHOSPHOR BRONZE	CONTACT AREA:GOLD 0.2μ m min.
1	PPS	LIGHT BROWN (UL94V-0)			LEAD AREA:TIN-PLATING 2μ m min.
					UNDER PLATING:NICKEL 1.5μ m min.

CODE NO. (OLD) CL	DRAWN A.SUZUKAWA 06.02.08	DESIGNED M.Nakamura 06.02.13	CHECKED H. Ogawa 06.02.13	APPROVED H. Okawa 06.02.13	RELEASED ..
SCALE 2 : 1	DRAWING NO. EDC3-082417-21		PART NO. FX2-52S-1.27SVL(71)		
UNITS mm	HRS HIROSE ELECTRIC CO., LTD		CODE NO. CL572-2154-0-71		1/1

DRAWING FOR REFERENCE: This is subject to change without notice
08/11/2012

TO
PCK