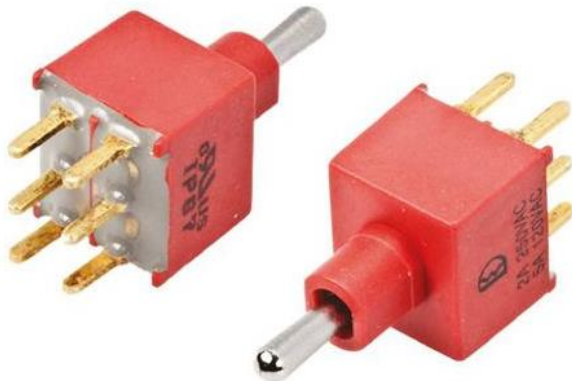


Datasheet

DPDT Toggle Switch, ON-ON

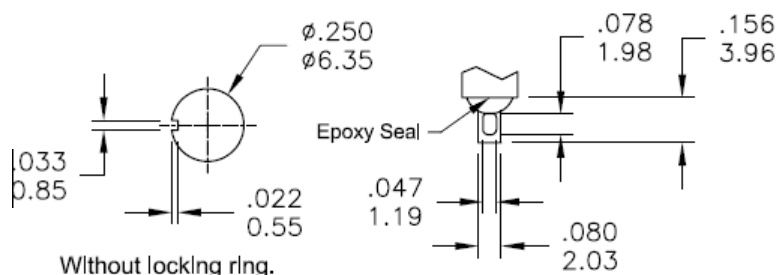
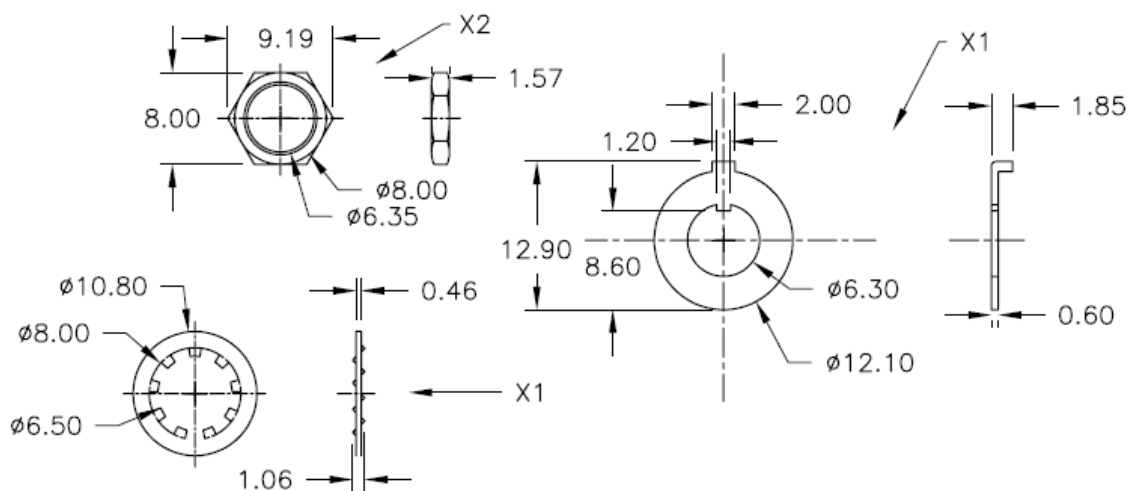
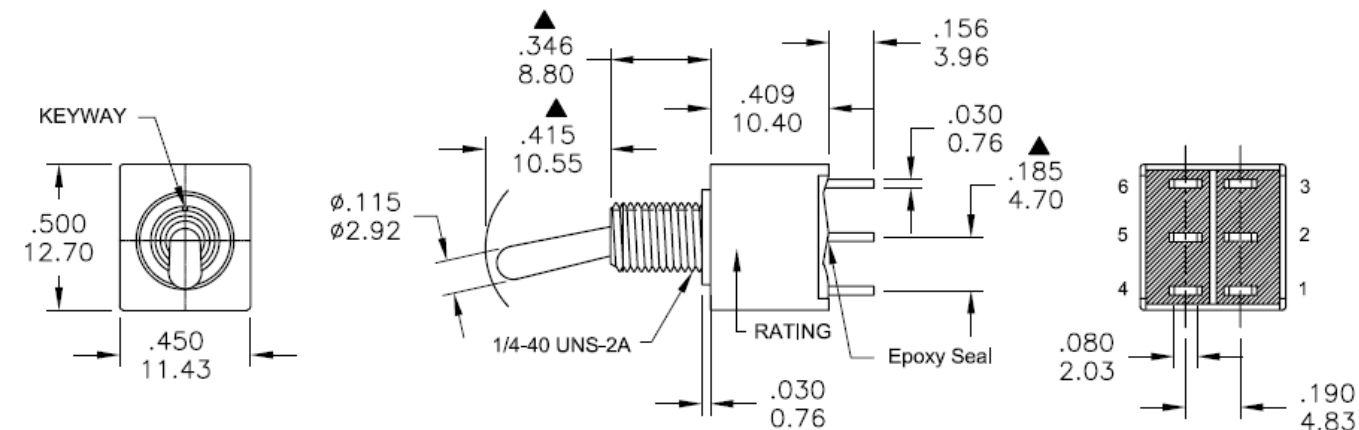
RS Stock number 734-6940



Specifications:

MECHANICAL LIFE:	30,000 make-and-break cycles.
CONTACT RESISTANCE:	10mΩ max. Initial @ 2-4VDC 100mA for both silver and gold plated contacts.
INSULATION RESISTANCE:	1,000 MΩmin.
DIELECTRIC STRENGTH:	1,000Vrms min. @ sea level.
OPERATING TEMPERATURE:	-30°C to 85°C.
HOUSING AND BASE:	Glass filled nylon 6/6, flame retardant, heat stabilized (UL94V-0)
ACTUATOR:	Brass, chrome plated with internal, O-ring seal standard.
SWITCH SUPPORT:	Brass or steel, tin plated
SWITCH SUPPORT RETAINER:	Stainless steel
CONTACT/TERMINAL:	Copper alloy with silver or gold plated
RoHS:	2002/95/EC
RATING:	R: 0.4VA max. @ 20V max. (AC or DC) Q: 2A @ 250VAC 5A @ 120VAC or 28VDC

Dimensions – inch
mm



PANEL MOUNTING

SOLDER LUG

Model No.	POS.1	POS.2	POS.3
1AD1	ON	NONE	ON
Term. Comm.	2-3,5-6		2-1,5-4
SCHEMATIC	OPEN		

SWITCH FUNCTION