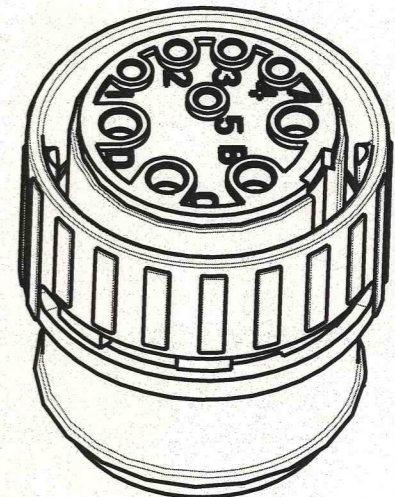
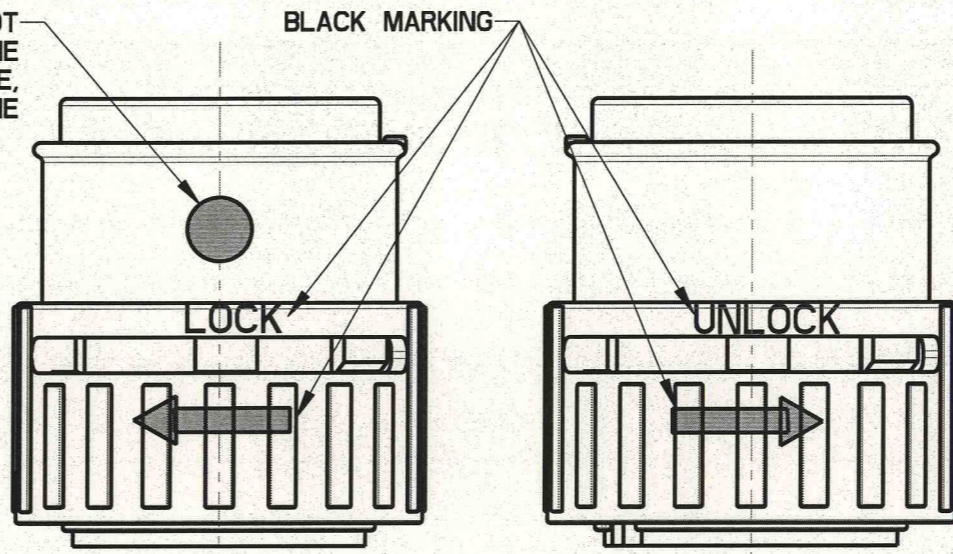
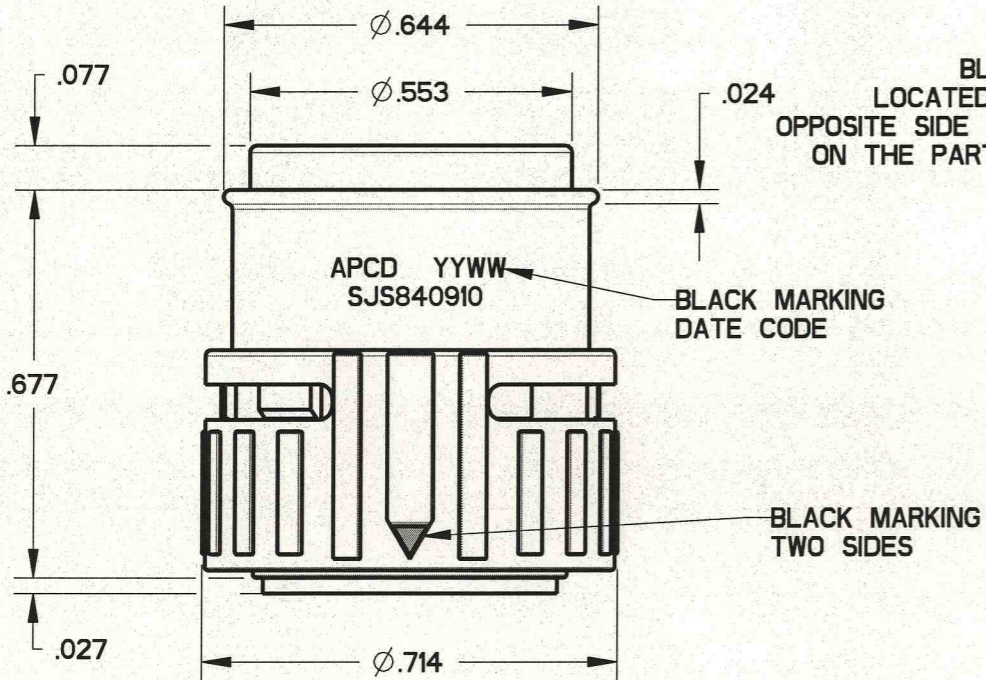
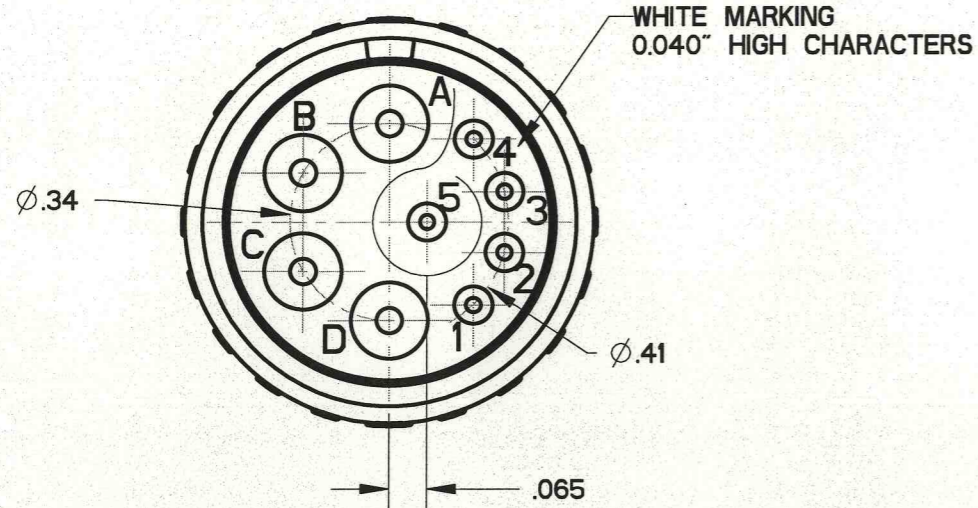


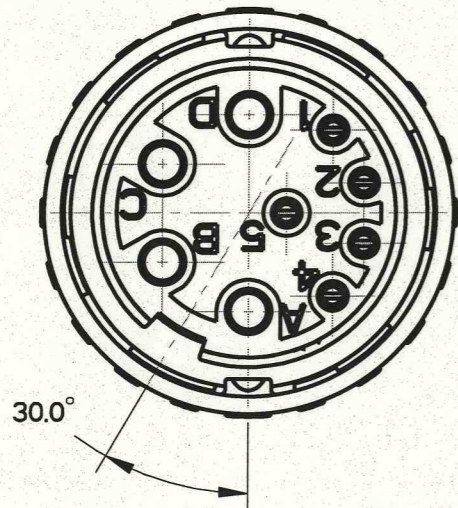
SJS840910

REV	ECN	APP'D
A	6428	<i>JL 10/28/09</i>



SCALE 8:3

- NOTES:
- MATERIALS:
HOUSING: PA6/6
CONTACT RETAINER: STAINLESS STEEL
GROMMET: SILICONE RUBBER PER A-A-59588
 - ACCEPTS M39029/57-354 & 358
SOCKET CONTACTS (NOT INCLUDED)
 - WHEN ASSEMBLED, "LOCK" AND ARROW MARKINGS MUST ALIGN WITH BLACK DOT
 - PART MATES WITH SJS840900
 - WEIGHT: 3.7 GRAMS



DIMENSIONS ANSI Y14.5M UNITS: INCHES Pro/E FILE	TOLERANCES .XX ±0.01 .XXX ±0.005 ANGLES ±0.5°	PROJECTION 	Amphenol Pcd SPECIFICATION DRAWING		TITLE 4P SZ16 & 5P SZ22 WHITE PLUG FOR SJS		
			ENGR Frank.Li 15-Mar-09	CHKD <i>[Signature]</i> 10/26/09	SIZE B	DWG NO. SJS840910_CE	REV A
ORIGINAL 	THIS DOCUMENT CONTAINS PROPRIETARY INFORMATION WHICH IS THE CONFIDENTIAL PROPERTY OF AMPHENOL PCD INC., BEVERLY, MA		APPD <i>[Signature]</i> 10/28/09	CODE: 58982	SCALE: 3:1	SHEET 1 OF 1	

SJS840910

SJS840910