

PRODUCT DESCRIPTION CODE :

10131931-YXXXLF

PLATING :

1 = 0.76 μm GOLD ON CONTACT AREA
2.54 μm MIN MATTE TIN ON TAIL

2 = 0.38 μm GOLD ON CONTACT AREA
2.54 μm MIN MATTE TIN ON TAIL

3 = 0.20 μm GOLD ON CONTACT AREA
2.54 μm MIN MATTE TIN ON TAIL

4 = 0.76 μm GXT ON CONTACT AREA
2.54 μm MIN MATTE TIN ON TAIL

5 = 0.38 μm GXT ON CONTACT AREA
2.54 μm MIN MATTE TIN ON TAIL

6 = 0.20 μm GXT ON CONTACT AREA
2.54 μm MIN MATTE TIN ON TAIL

9 = 2.54 μm MIN MATTE TIN FULL PLATED

1.27 μm NICKEL MIN UNDERLAYER

NOTES :

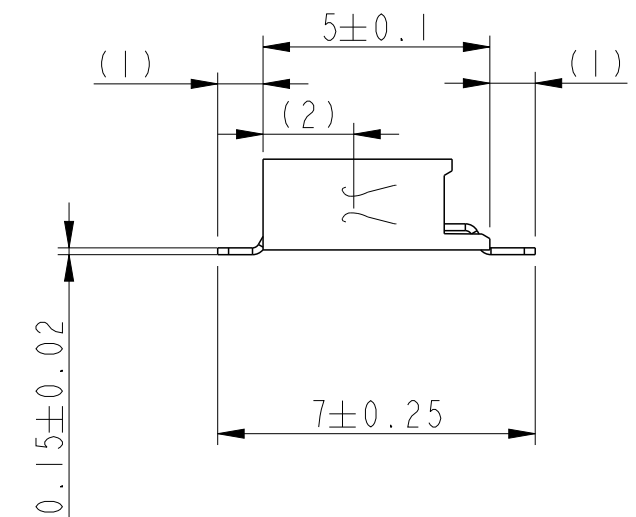
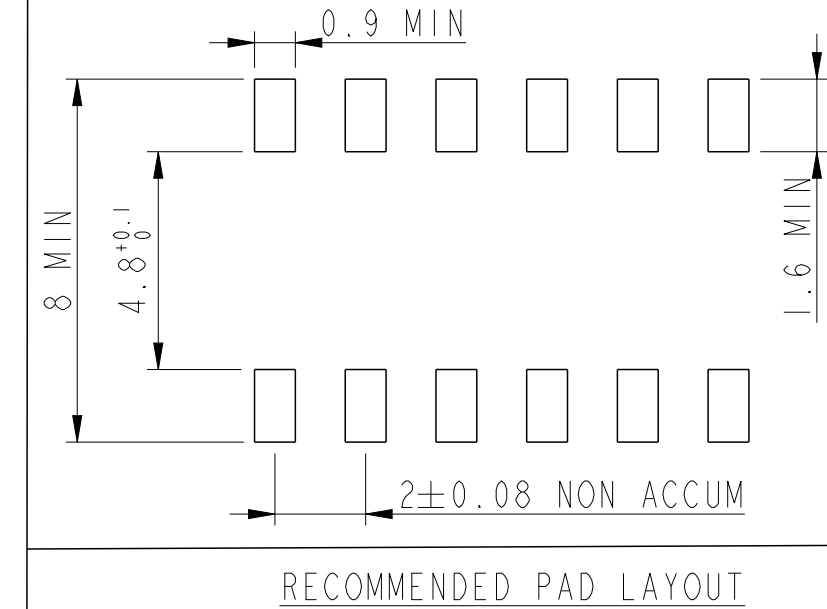
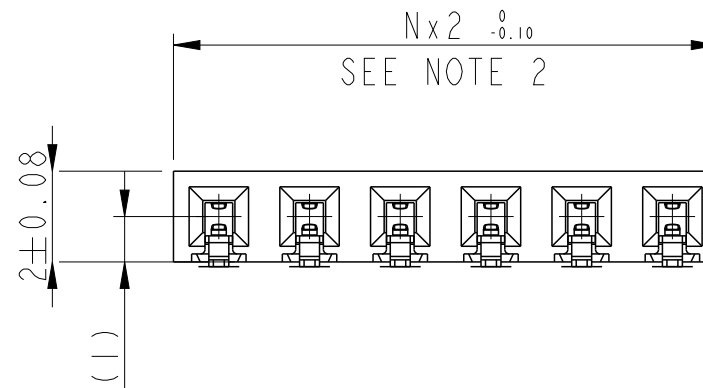
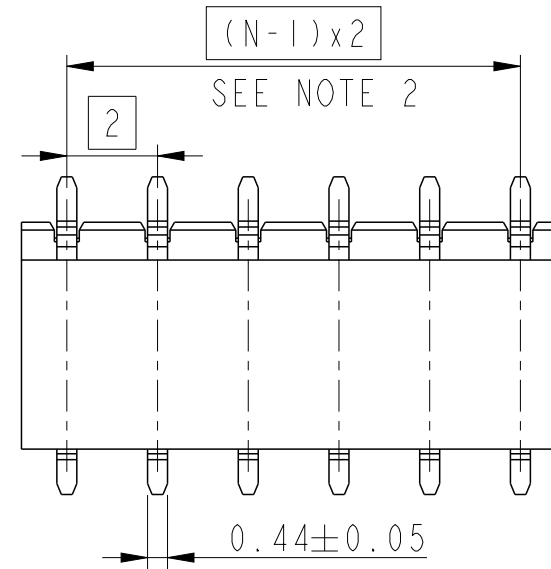
1- MATERIAL
HOUSING : HIGH TEMPERATURE GLASS FILLED FLAME
RETARDANT PER UL 94 V-0
TERMINAL: COPPER ALLOY

2- TO DETERMINE DIMENSIONS :
N = NUMBER OF POSITIONS PER ROW
EXAMPLE : 8 POS N x 2 = 16mm
UP TO N = 12 TOLERANCE : 0
FROM N = 13 TOLERANCE : 0.05
-0.10
-0.10

3 - RoHS COMPATIBLE PRODUCT SPECIFICATIONS
a - PLATING :
"LF" MEANS THE PRODUCT IS LEAD-FREE, 2 μm MINIMUM MATTE
TIN OVER 1.27 μm MINIMUM NICKEL UNDERPLATE
b - MANUFACTURING PROCESS COMPATIBILITY
THE HOUSING WILL WITHSTAND EXPOSURE TO 260°C PEAK
TEMPERATURE FOR 30 SECONDS MAX IN A CONVECTION, INFRA-RED
OR VAPOR PHASE OR REFLOW OVEN

c - LABELLING :
MEETS PACKAGING SPECS AS PER GS-14-920
d - LEGAL STATEMENT : SEE GS-47-0004

RoHS COMPATIBLE, SEE NOTE 3
PACKAGING : "A" : TAPE & REEL
"U" : TUBE
TOTAL NUMBER OF POSITIONS 02 TO 25



PRELIMINARY

spec ref	GS-12-1326	dr	Cyril Jeune	2014/12/02	projection	mm	size	A3	scale	6:1
tolerance std	ISO 406 ISO 1101	eng	Cyril Jeune	2015/11/18			ecn no	rel level	Preliminary	rev
surface	linear	chr	-	-						
	angular	appr	-	-	MINITEK RECEPTACLE 2MM	dwg no	10131931	2	cat. no.	-
					ASSEMBLY HCC SR SMT				Product - Customer Drw	sheet 1 of 1

Copyright FCI. FCI