

Connecting piece M20/M20 for connection of 2 enclosures, Metal, with hexagon nut



|   |                                     |
|---|-------------------------------------|
| Product brand name                        | SIRIUS ACT                          |
| Product designation                       | Connection piece                    |
| Design of the product                     | M20/M20 for connecting 2 enclosures |
| Product type designation                  | 3SU1                                |
| <b>General technical data</b>             |                                     |
| Protection class IP                       | IP66, IP67, IP69(IP69K)             |
| <b>Installation/ mounting/ dimensions</b> |                                     |
| Mounting height                           | 3.6 mm                              |
| <b>Accessories</b>                        |                                     |
| Material of accessory                     | Metal                               |
| Color of accessory                        | Silver                              |
| <b>Certificates/approvals</b>             |                                     |

| General Product Approval | Declaration of Conformity | Test Certificates |
|--------------------------|---------------------------|-------------------|
|--------------------------|---------------------------|-------------------|



CSA



UL



EG-Konf.

[Miscellaneous](#)

[Type Test Certificates/Test Report](#)

### Marine / Shipping



ABS



LRS



PRS



RINA



RMRS



DNVGL.COM/AF

### other

[Confirmation](#)

### Further information

**Information- and Downloadcenter (Catalogs, Brochures,...)**

<http://www.siemens.com/industrial-controls/catalogs>

**Industry Mall (Online ordering system)**

<https://mall.industry.siemens.com/mall/en/en/Catalog/product?mlfb=3SU1950-0HJ10-0AA0>

**Cax online generator**

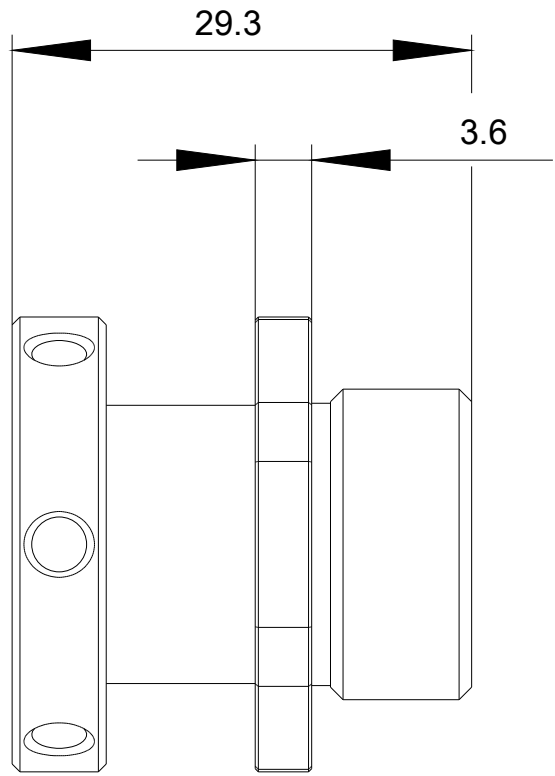
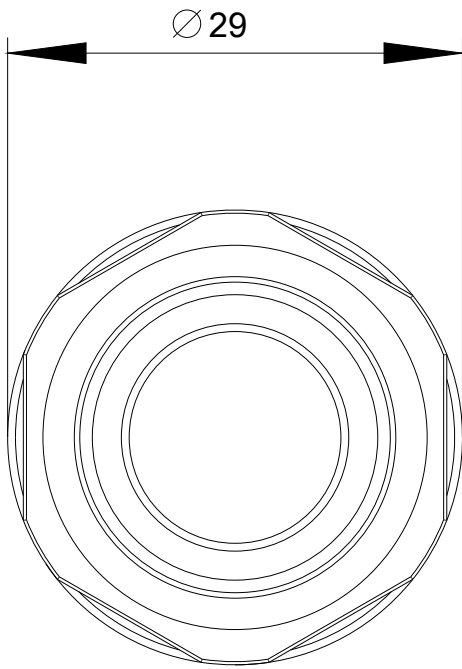
<http://support.automation.siemens.com/WW/CAXorder/default.aspx?lang=en&mlfb=3SU1950-0HJ10-0AA0>

**Service&Support (Manuals, Certificates, Characteristics, FAQs,...)**

<https://support.industry.siemens.com/cs/ww/en/ps/3SU1950-0HJ10-0AA0>

**Image database (product images, 2D dimension drawings, 3D models, device circuit diagrams, EPLAN macros, ...)**

[http://www.automation.siemens.com/bilddb/cax\\_de.aspx?mlfb=3SU1950-0HJ10-0AA0&lang=en](http://www.automation.siemens.com/bilddb/cax_de.aspx?mlfb=3SU1950-0HJ10-0AA0&lang=en)



last modified:

09/12/2019