

FAG

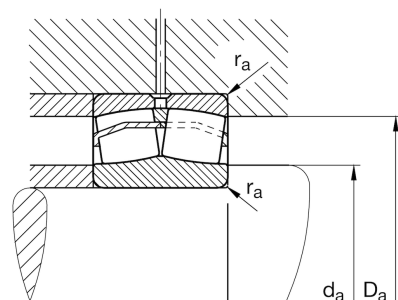
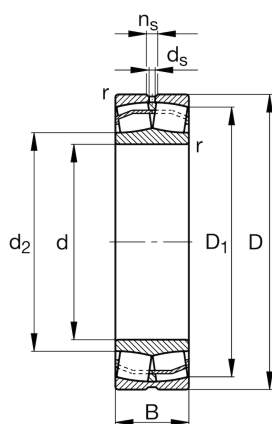
**21310-E1-XL**

Spherical roller bearing

Schaeffler ID:  
0219402400000Spherical roller bearings 213..-E1, main  
dimensions to DIN 635-2

X-life

## Technical information

**Main Dimensions & Performance Data**

d	50 mm	Bore diameter
D	110 mm	Outside diameter
B	27 mm	Width
$C_r$	129,000 N	Basic dynamic load rating, radial
$C_{0r}$	130,000 N	Basic static load rating, radial
$C_{ur}$	17,700 N	Fatigue load limit, radial
$n_G$	9,000 1/min	Limiting speed
$n_{gr}$	5,400 1/min	Reference speed
	1.281 kg	Weight

**Mounting dimensions**

$d_{a \min}$	61 mm	Minimum diameter shaft shoulder
$D_{a \max}$	99 mm	Maximum diameter of housing shoulder
$r_{a \max}$	2 mm	Maximum recess radius

**Dimensions**

$r_{\min}$	2 mm	Minimum chamfer dimension
$D_1$	89.8 mm	Bore diameter outer ring
$d_2$	67.7 mm	Raceway diameter of the inner ring
$d_s$	3.2 mm	Diameter lubrication hole
$n_s$	4.8 mm	Width of lubricating groove

**Temperature range**

$T_{\min}$	-30 °C	Operating temperature min.
$T_{\max}$	200 °C	Operating temperature max.

**Calculation factors**

e	0.21	Limiting value of Fa/Fr for the applicability of diff. Values of factors X and Y
Y <sub>1</sub>	3.17	Dynamic axial load factor
Y <sub>2</sub>	4.72	Dynamic axial load factor
Y <sub>0</sub>	3.1	Static axial load factor