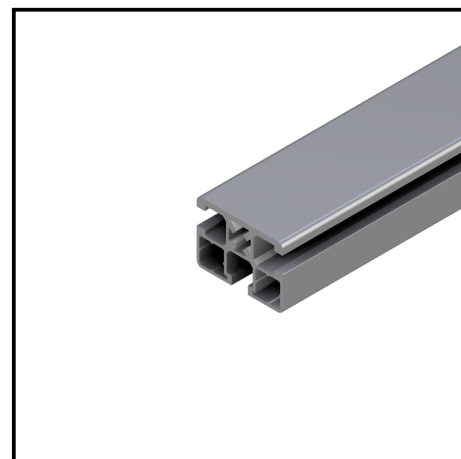
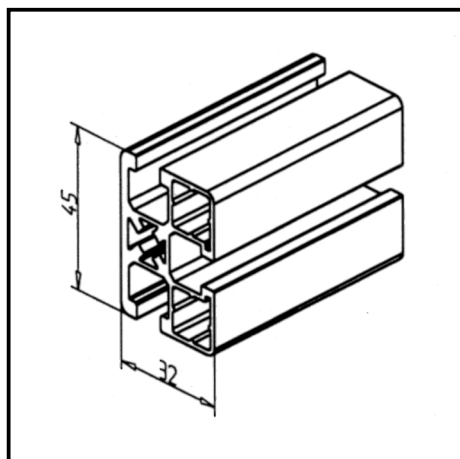


PROFILE 45 X 32 UL

Article Nr. 20.1065/0

See the product on the website →

Download CAD Files →



APPLICATIONS

- All types of constructions, with a closed profile side
- Weight-optimized constructions
- Tables
- Frames
- Sliding doors

TECHN. DATA / ITEMS SUPPLIED

- Aluminium, extruded, anodized E6/EV1
- $I_x = 8.292 \text{ cm}^4$
- $I_y = 5.178 \text{ cm}^4$
- $w_x = 3.685 \text{ cm}^3$
- $w_y = 2.815 \text{ cm}^3$
- $IT = 5.516 \text{ cm}^4$
- Weight = 1.257 kg/m
- Packing unit = 48 m

ASSEMBLY

- MiniTec power-lock fastener
- Angle 19 / 25 / 45 / 45 x 90 GD-Z
- Bolt connector
- Screw connection