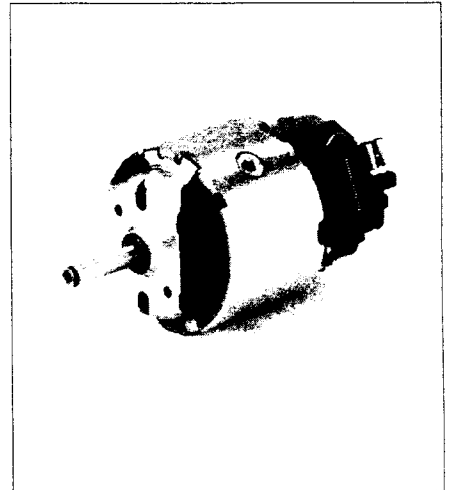


RS stock no: 226-1077

# BPA

## 12 V 28 W

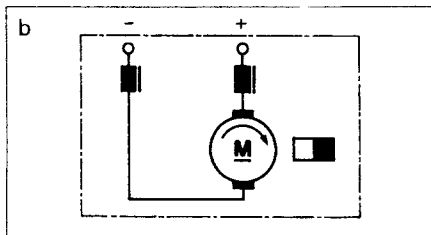
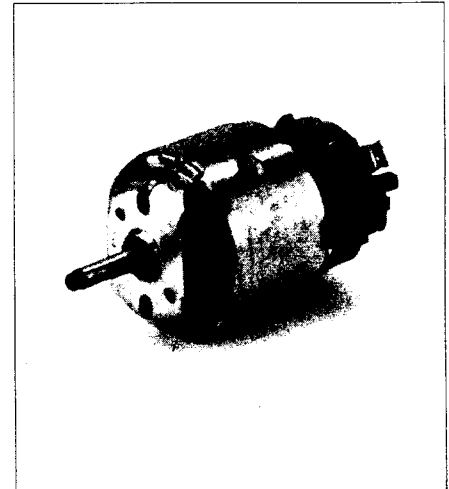
Nominal voltage	$U_N$	12 V
Nominal output	$P_N$	28 W
Nominal current	$I_N$	5 A
Nominal speed	$n_N$	4500 min <sup>-1</sup>
Continuous torque	$M_D$	6 N · cm
Tightening torque	$M_A$	35 N · cm
Direction of rotation		R
Type of duty		S1
Degree of protection		IP 10
Weight		0.38 kg
Diagram		b
Part number		0 130 007 027

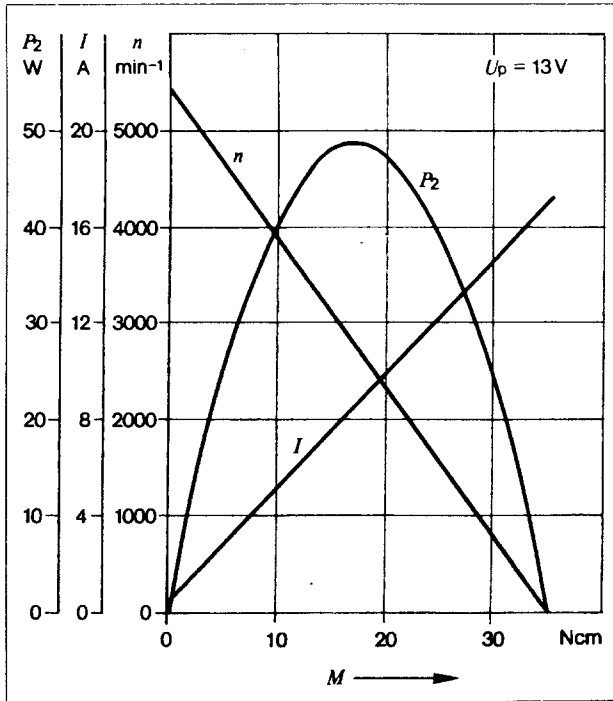


RS stock no: 226-1083

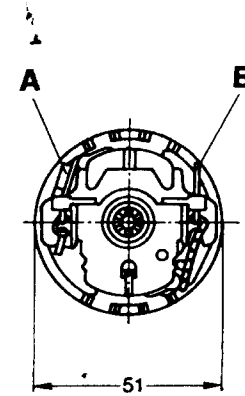
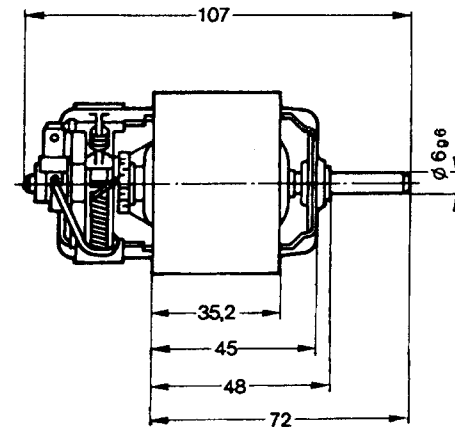
## 24 V 25 W

Nominal voltage	$U_N$	24 V
Nominal output	$P_N$	25 W
Nominal current	$I_N$	2.5 A
Nominal speed	$n_N$	4000 min <sup>-1</sup>
Continuous torque	$M_D$	6 N · cm
Tightening torque	$M_A$	40 N · cm
Direction of rotation		R
Type of duty		S1
Degree of protection		IP 10
Weight		approx. 0.363 kg
Diagram		b
Part number		0 130 007 051

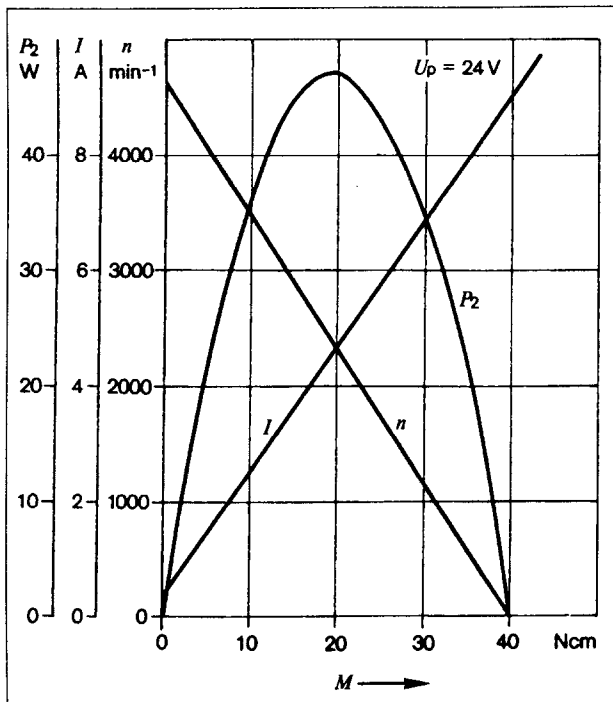




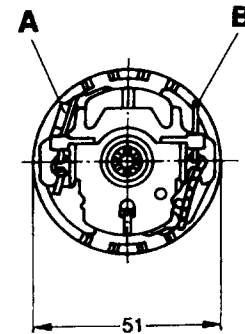
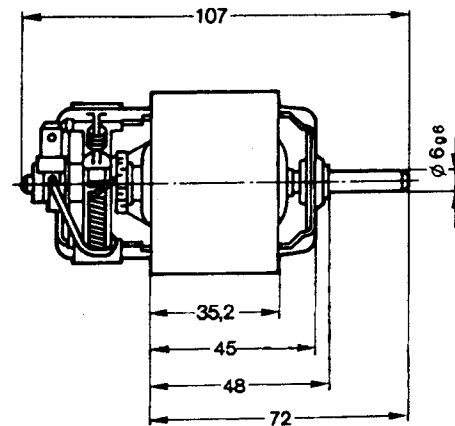
RS stock no: 226-1077



- A (-) Receptacle for blade terminal 6.3 x 0.8  
B (+) Blade terminal 6.3 x 0.8



RS stock no: 226-1083



- A (-) Receptacle for blade terminal 6.3 x 0.8  
B (+) Blade terminal 6.3 x 0.8