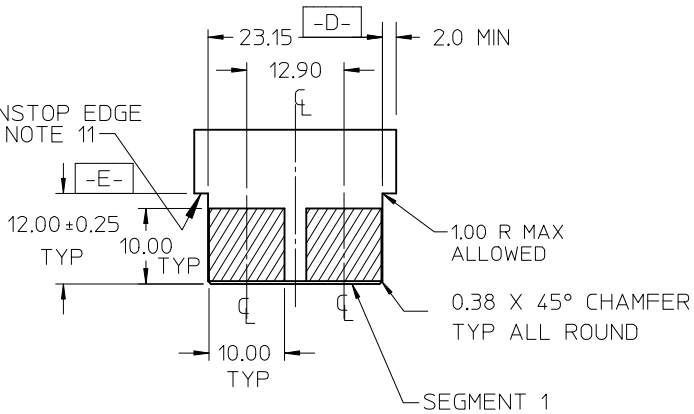
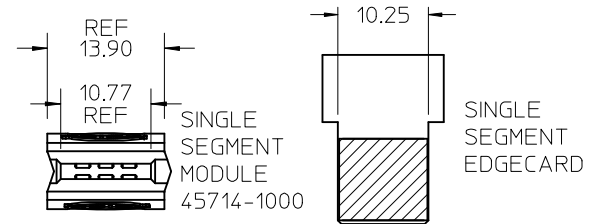


PCB LAYOUT: COMPONENT SIDE

DOWNSTOP EDGE
SEE NOTE 11



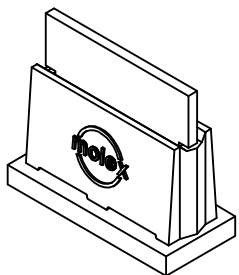
RECOMMENDED EDGE CARD LAYOUT
TOLERANCE: ±0.05



SEG- MENTS	MATERIAL NUMBER
1	45714-1000
2	45714-0001

NOTES:

- HOUSING MATL: LCP, UL94V-0, COLOR BLACK
TERMINAL MATL: COPPER ALLOY
- FINISH: SELECT GOLD: 30 M.I. MIN IN CONTACT AREA
SELECT TIN: 150 M.I. MIN IN SOLDER AREA
OVERALL NICKEL UNDERPLATE.
- PRODUCT SPECIFICATION: PS-45719-001.
- PACKAGING SPECIFICATION: ES-45714-001.
- PCB THICKNESS: 2.36 MIN
- EDGE CARD THICKNESS: 1.57±0.08
- DIMENSIONS GIVEN ACROSS CENTERLINES ARE SYMMETRICAL
ABOUT THOSE CENTERLINES WITHIN HALF TOTAL TOLERANCE.
- PCB HOLE SPECIFICATION: SEE PS-45719-001
- VOIDED SEGMENTS DO NOT HAVE TERMINALS IN THE TOP OR BOTTOM ROW
- POWER TERMINALS ARE LUBRICATED.
- THIS EDGE WILL TOUCH HOUSING WHEN
EDGE CARD IS FULLY SEATED

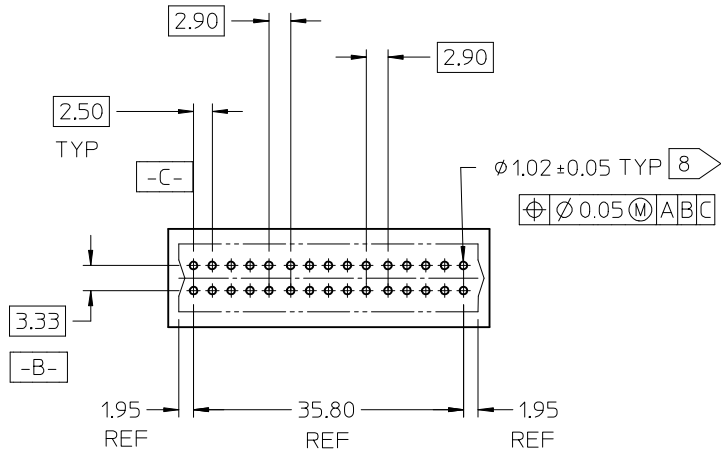
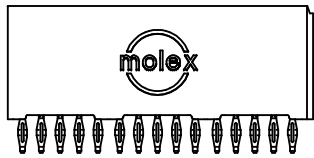
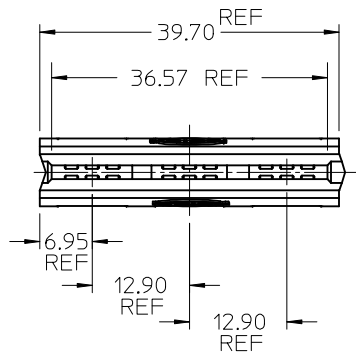


ADD DATUMS D & E	EC NO: UCP2014-5371	DRWN: JSCHAFFER	2014/08/27	CHKD:	APPR: APATEL	2014/09/03	DESCRIPTION
J4	REV						

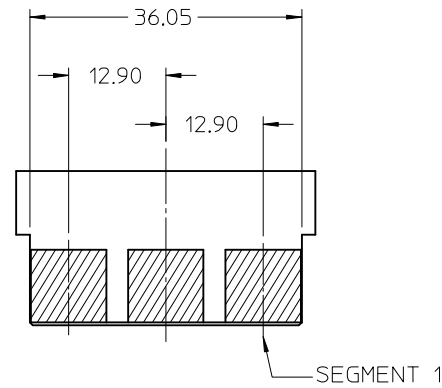
GENERAL TOLERANCES (UNLESS SPECIFIED)			DIMENSION STYLE MM ONLY	
	mm	INCH	DRAWN BY	DATE
4 PLACES	± ---	± ---	MARGUL IS	2003/11/11
3 PLACES	± ---	± ---	CHECKED BY	DATE
2 PLACES	± 0.25	± ---	MARGUL IS	2003/11/11
1 PLACE	± 0.25	± ---	APPROVED BY	DATE
ANGULAR ±1/2°			MARGUL IS	2003/11/11
DRAFT WHERE APPLICABLE MUST REMAIN WITHIN DIMENSIONS			SEE CHARTS	

SCALE	DESIGN UNITS	THIRD ANGLE PROJECTION
1:1	METRIC	
TITLE POWER EDGE ASSEMBLY POWER VERTICAL CPI		
molex MOLEX INCORPORATED		
DOCUMENT NO. SD-45714-001		SHEET NO. 1 OF 5
THIS DRAWING CONTAINS INFORMATION THAT IS PROPRIETARY TO MOLEX INCORPORATED AND SHOULD NOT BE USED WITHOUT WRITTEN PERMISSION		

DRAWN BY		DATE
CHECKED BY		DATE
APPROVED BY		DATE
MARGUL IS		2003/11/11



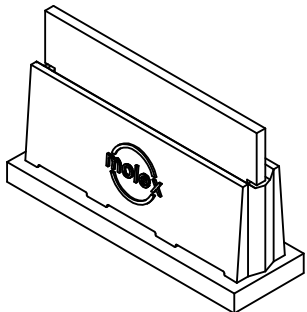
PCB LAYOUT: COMPONENT SIDE



RECOMMENDED EDGE CARD LAYOUT
EDGE CARD TOLERANCE: ± 0.05

NOTES:
1. FOR ALL OTHER DIMENSIONS AND NOTES SEE SHEET 1.

MATERIAL NUMBER	VOIDED SEGMENT
45714-0002	NONE
45714-3001	1
45714-3002	2
45714-3003	3
45714-3004	1,2
45714-3005	1,3
45714-3006	2,3

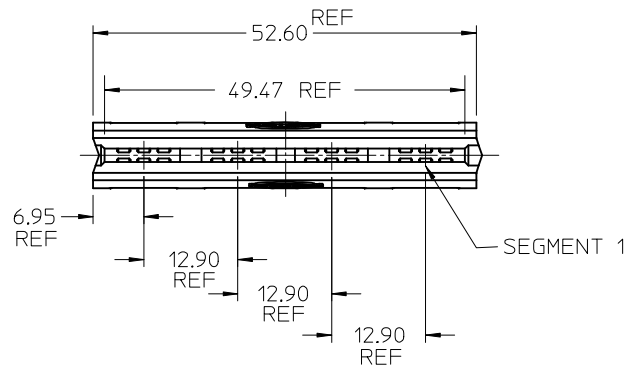


EC NO: UCP2014-5371	DRWN: JSCHAFFER	2014/08/27	CHKD: APATEL	2014/09/03	DESCRIPTION
J4	REV				

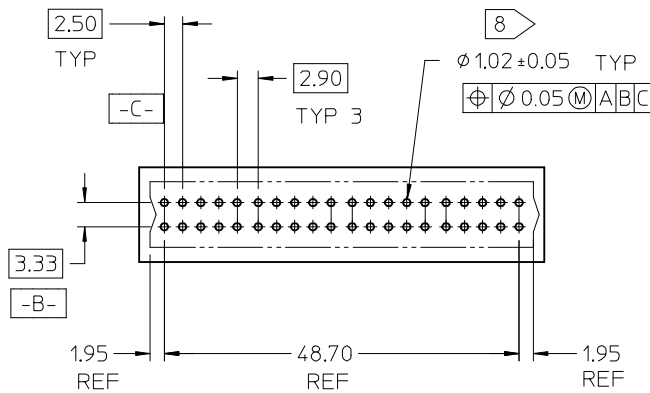
	GENERAL TOLERANCES (UNLESS SPECIFIED)	
	mm	INCH
4 PLACES	$\pm \text{---}$	$\pm \text{---}$
3 PLACES	$\pm \text{---}$	$\pm \text{---}$
2 PLACES	± 0.25	$\pm \text{---}$
1 PLACE	± 0.25	$\pm \text{---}$
ANGULAR $\pm 1/2^\circ$		
DRAFT WHERE APPLICABLE MUST REMAIN WITHIN DIMENSIONS		

DIMENSION STYLE	
MM ONLY	
DRAWN BY	DATE
MARGUL IS	2003/11/11
CHECKED BY	DATE
MARGUL IS	2003/11/11
APPROVED BY	DATE
MARGUL IS	2003/11/11
SIZE	A

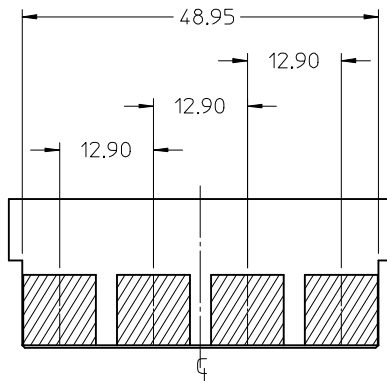
SCALE	DESIGN UNITS	THIRD ANGLE PROJECTION
1:1	METRIC	
TITLE		
POWER EDGE ASSEMBLY POWER VERTICAL CPI (3 SEGMENT PARTS)		
molex MOLEX INCORPORATED		
DOCUMENT NO.	SHEET NO.	
SD-45714-001	2	
THIS DRAWING CONTAINS INFORMATION THAT IS PROPRIETARY TO MOLEX INCORPORATED AND SHOULD NOT BE USED WITHOUT WRITTEN PERMISSION		



NOTES:
1. FOR ALL OTHER DIMENSIONS AND NOTES SEE SHEET 1.

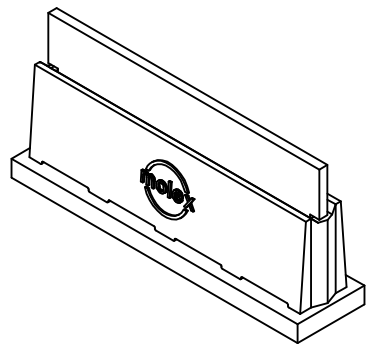


PCB LAYOUT: COMPONENT SIDE



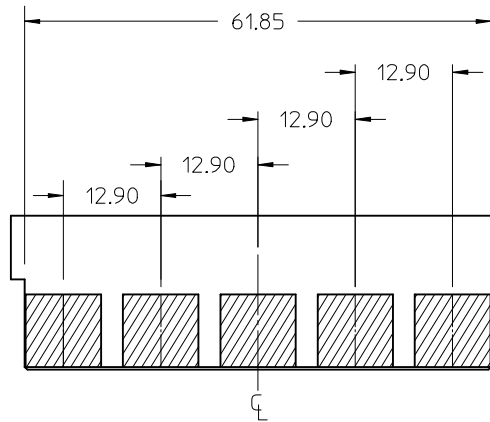
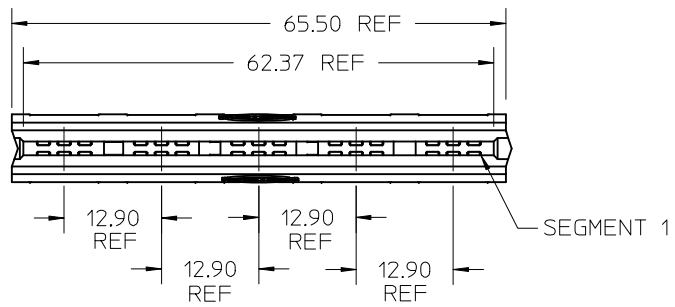
RECOMMENDED EDGE CARD LAYOUT
EDGE CARD TOLERANCE: ±0.05

MATERIAL NUMBER	VOIDED SEGMENT
45714-0003	NONE
45714-4001	1
45714-4002	2
45714-4003	3
45714-4004	4
45714-4005	1,2
45714-4006	1,3
45714-4007	1,4
45714-4008	2,3
45714-4009	2,4
45714-4010	3,4

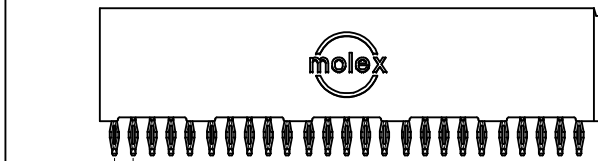


EC NO: UCP2014-5371	DESCRIPTION
DRWN: JSCHAFFER 2014/08/27	
CHKD:	
APPR: APATEL 2014/09/03	
J4	REV

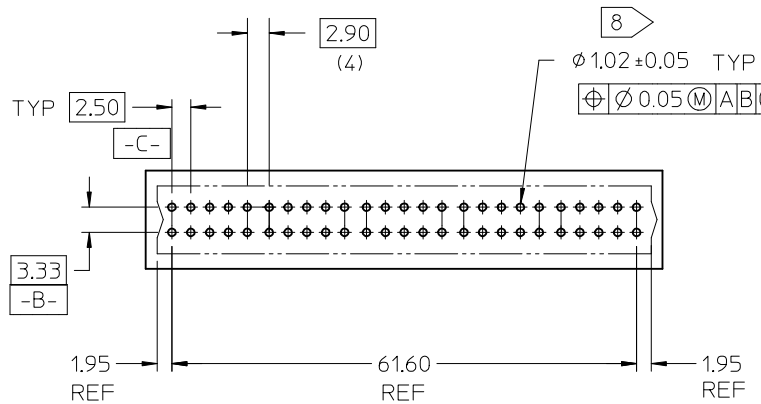
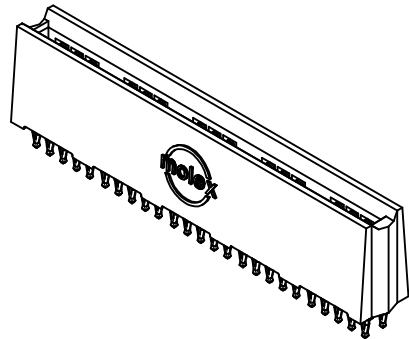
GENERAL TOLERANCES (UNLESS SPECIFIED)		DIMENSION STYLE MM ONLY		SCALE 1:1	DESIGN UNITS METRIC	THIRD ANGLE PROJECTION
	mm	INCH	DRAWN BY MARGULIS	DATE 2003/11/11	TITLE POWER EDGE ASSEMBLY POWER VERTICAL CPI (4 SEGMENT PARTS)	
4 PLACES	± ---	± ---	CHECKED BY	DATE	MOLEX INCORPORATED	
3 PLACES	± ---	± ---	APPROVED BY	DATE	DOCUMENT NO. SD-45714-001	
2 PLACES	± 0.25	± ---	MARGULIS	2003/11/11	SHEET NO. 3	
1 PLACE	± 0.25	± ---	THIS DRAWING CONTAINS INFORMATION THAT IS PROPRIETARY TO MOLEX INCORPORATED AND SHOULD NOT BE USED WITHOUT WRITTEN PERMISSION			
ANGULAR ±1/2°		DRAFT WHERE APPLICABLE MUST REMAIN WITHIN DIMENSIONS				



RECOMMENDED EDGE CARD LAYOUT
EDGE CARD TOLERANCE: ±0.05



2.50
(20)

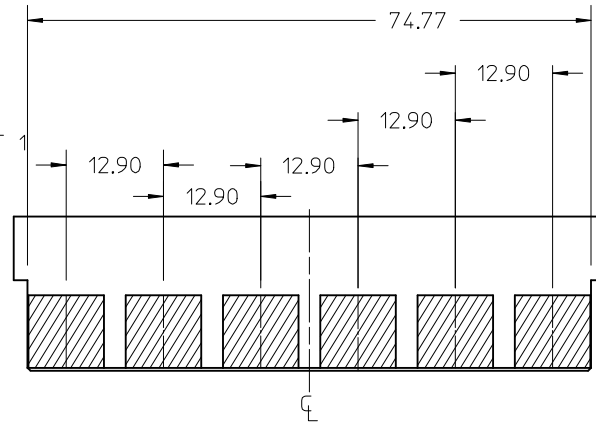
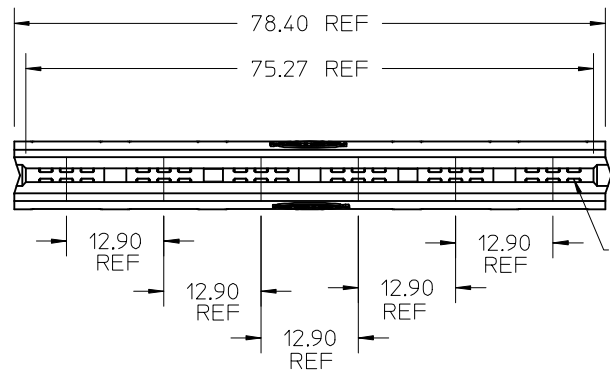


PCB LAYOUT: COMPONENT SIDE

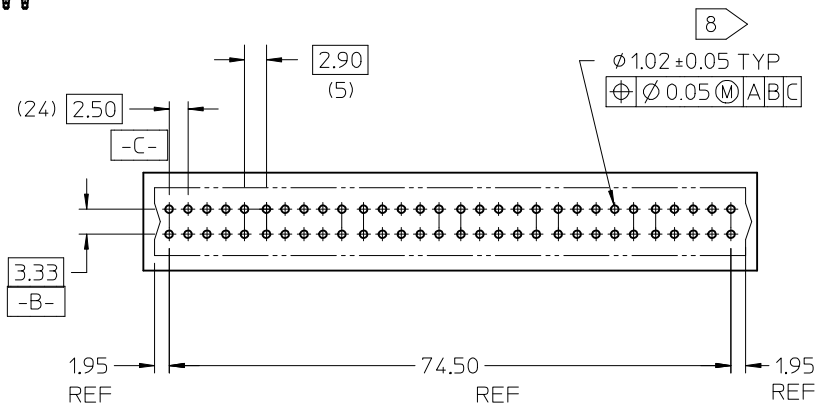
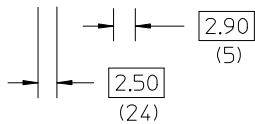
MATERIAL NUMBER	NO OF SEG'S	VOIDED SEGMENT
45714-0004	5	NONE
45714-5001	5	1
45714-5002	5	2
45714-5003	5	3
45714-5004	5	4
45714-5005	5	5
45714-5006	5	1, 2
45714-5007	5	1, 3
45714-5008	5	1, 4
45714-5009	5	1, 5
45714-5010	5	2, 3
45714-5011	5	2, 4
45714-5012	5	2, 5
45714-5013	5	3, 4
45714-5014	5	3, 5
45714-5015	5	4, 5

THESE PARTS ARE NOT TOOLED

ENTER DESCRIPTION EC NO: UCP2014-5371 DRWN: JSCHAFFER 2014/08/27 CHKD: APPR: APATEL 2014/09/03	QUALITY SYMBOLS 	GENERAL TOLERANCES (UNLESS SPECIFIED)		DIMENSION STYLE MM ONLY		SCALE 1:1	DESIGN UNITS METRIC	THIRD ANGLE PROJECTION		
		4 PLACES	± ---	± ---	DRAWN BY MARGUL IS	DATE 2003/11/11	TITLE POWER EDGE ASSEMBLY POWER VERTICAL CPI			
		3 PLACES	± ---	± ---	CHECKED BY MARGUL IS	DATE 2003/11/11				
		2 PLACES	± 0.25	± ---	APPROVED BY MARGUL IS	DATE 2003/11/11	MOLEX INCORPORATED DOCUMENT NO. SD-45714-001			
1 PLACE	± 0.25	± ---	MATERIAL NO.		SHEET NO. 4 OF 5					
DRAFT WHERE APPLICABLE MUST REMAIN WITHIN DIMENSIONS		ANGULAR ± 1/2°		SIZE A	THIS DRAWING CONTAINS INFORMATION THAT IS PROPRIETARY TO MOLEX INCORPORATED AND SHOULD NOT BE USED WITHOUT WRITTEN PERMISSION					



RECOMMENDED EDGE CARD LAYOUT
EDGE CARD TOLERANCE: ±0.05



PCB LAYOUT: COMPONENT SIDE

MATERIAL NUMBER	NO OF SEG'S	VOIDED SEGMENT
45714-0005	6	NONE
45714-6001	6	1
45714-6002	6	2
45714-6003	6	3
45714-6004	6	4
45714-6005	6	5
45714-6006	6	6
45714-6007	6	1, 2
45714-6008	6	1, 3
45714-6009	6	1, 4
45714-6010	6	1, 5
45714-6011	6	1, 6
45714-6012	6	2, 3
45714-6013	6	2, 4
45714-6014	6	2, 5
45714-6015	6	2, 6
45714-6016	6	3, 4
45714-6017	6	3, 5
45714-6018	6	3, 6
45714-6019	6	4, 5
45714-6020	6	1, 6
45714-6021	6	2, 6
45714-6022	6	3, 6
45714-6023	6	4, 6
45714-6024	6	5, 6

THESE PARTS ARE NOT TOOLED

SEE SHT 1 EC NO: UCP2014-5371 DRWN: JSCHAFFER 2014/08/27 CHKD: APPR: APATEL 2014/09/03	QUALITY SYMBOLS 	GENERAL TOLERANCES (UNLESS SPECIFIED)		DIMENSION STYLE MM ONLY		SCALE 1:1	DESIGN UNITS METRIC	THIRD ANGLE PROJECTION		
		4 PLACES	± ---	± ---	DRAWN BY MARGUL IS	DATE 2003/11/11	TITLE POWER EDGE ASSEMBLY POWER VERTICAL CPI			
		3 PLACES	± ---	± ---	CHECKED BY MARGUL IS	DATE 2003/11/11				
		2 PLACES	± 0.25	± ---	APPROVED BY MARGUL IS	DATE 2003/11/11	MOLEX INCORPORATED DOCUMENT NO. SD-45714-001			
1 PLACE	± 0.25	± ---	MATERIAL NO. SEE CHART		SHEET NO. 5 OF 5					
DRAFT WHERE APPLICABLE MUST REMAIN WITHIN DIMENSIONS		ANGULAR ±1/2°		THIS DRAWING CONTAINS INFORMATION THAT IS PROPRIETARY TO MOLEX INCORPORATED AND SHOULD NOT BE USED WITHOUT WRITTEN PERMISSION						