

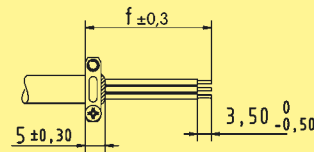
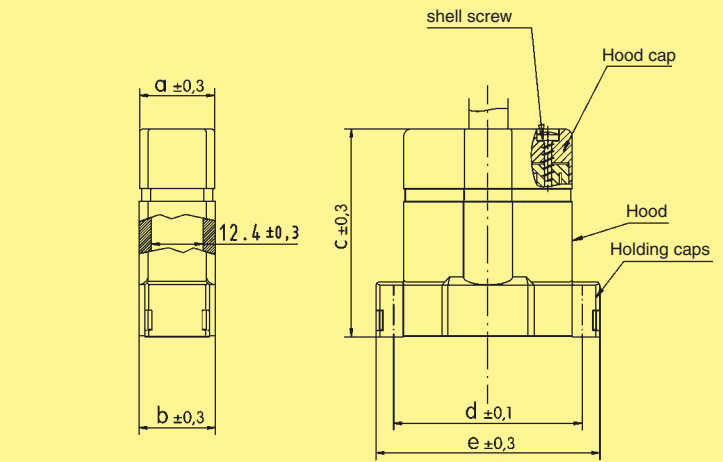


IP 67 plastic hoods

Identification	No. of contacts	Part No.	Drawing	Dimensions in mm
----------------	-----------------	----------	---------	------------------

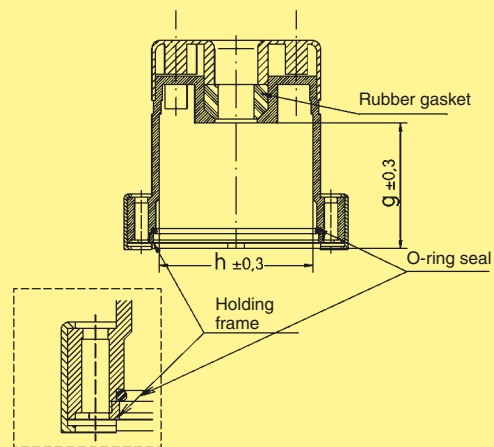
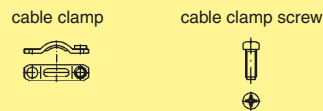
Hood
Black thermoplastic

9	09 67 009 0436
15	09 67 015 0436
25	09 67 025 0436



Mounting instructions

The stripped braid should not be fold back to avoid damaging the cable clamp and reducing its performance.



	a	b	c	d	e	f	g	h
9	15.6	15.6	41.0	25.00	33.6	23.0	25.0	17.0
15	15.6	15.6	46.8	33.30	42.0	27.5	30.8	25.1
25	18.8	19.1	52.0	47.04	55.7	31.5	33.8	38.8

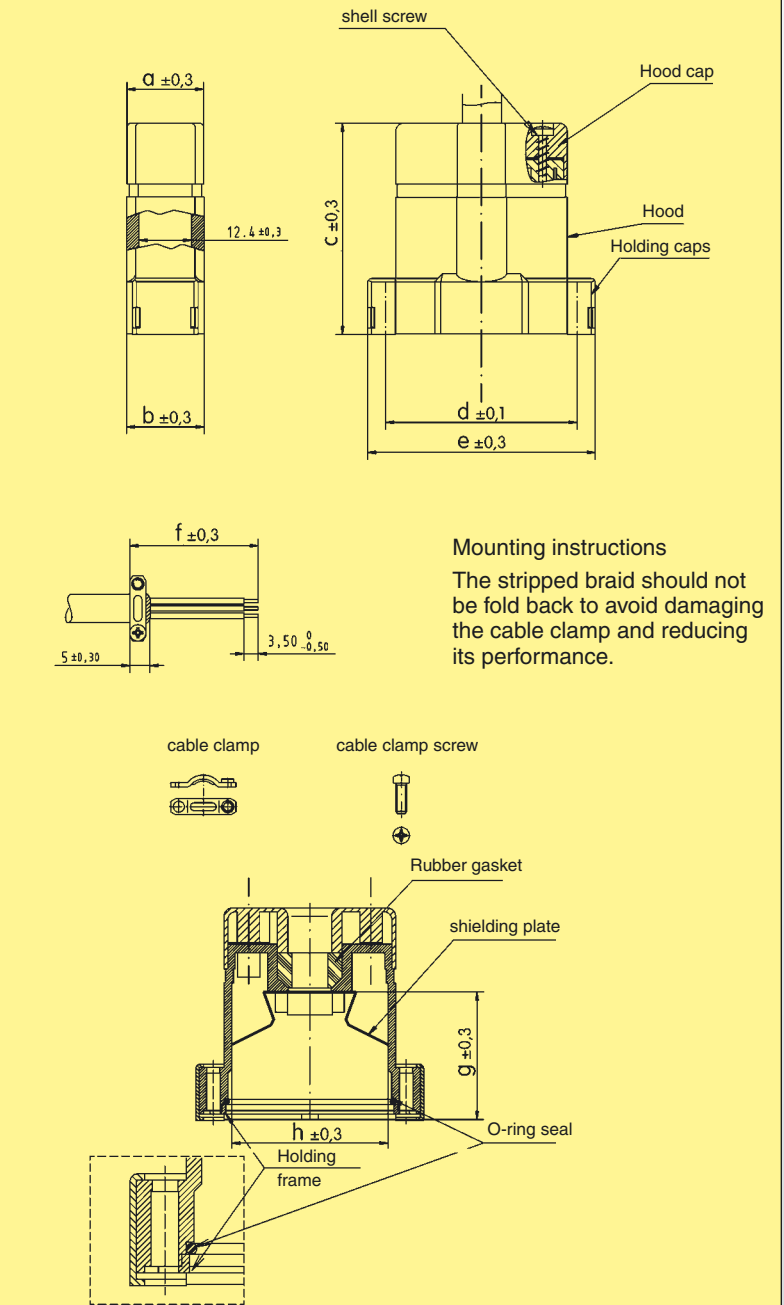


IP 67 metallized plastic hoods

Identification No. of contacts Part No. Drawing Dimensions in mm

Hood
Metallized
thermoplastic

9 09 67 009 0437
15 09 67 015 0437
25 09 67 025 0437



	a	b	c	d	e	f	g	h
9	15.6	15.6	41.0	25.00	33.6	23.0	25.0	17.0
15	15.6	15.6	46.8	33.30	42.0	27.5	30.8	25.1
25	18.8	19.1	52.0	47.04	55.7	31.5	33.8	38.8

D-Sub - W