

Integrated signal lamp, continuous light, with integrated LED, red, 24 V AC/DC, Diameter 70 mm







| General technical data                               |                          |
|--|--------------------------|
| Product designation                                  | Continuous light element |
| Consumed current maximum                             | 45 mA                    |
| Type of voltage                                      | AC/DC                    |
| • of the operating voltage                           |                          |
| Operating voltage                                    | 24 V                     |
| • 1 at DC rated value                                |                          |
| • 1 at AC at 50 Hz rated value                       |                          |
| • 1 at AC at 60 Hz rated value                       | 24 V                     |
| Relative positive tolerance of the operating voltage | 10 %                     |
| Relative negative tolerance of the operating voltage | -10 %                    |
| Reference code                                       | P                        |
| • acc. to DIN EN 81346-2                             |                          |
| Mounting type  | Bayonet / flush mounting |
| Material   | PC; PC/ABS; PA           |
| Color  | red                      |
| Mechanical data                                      |                          |
| Product component Light source                       | Yes                      |

|   |                      |
|---|----------------------|
| Type of electrical connection               | screw-type terminals |
| Outer diameter of the signal column element | 75 mm                |

| Lamp                         |                 |
|------------------------------|-----------------|
| Design of the optical signal | continous light |
| Type of light source         | LED             |
| Light intensity              | 2.08 cd         |
| Light intensity              | 1 ... 3.64 cd   |
| Service life of LED          | 100 000 h       |

| Ambient conditions                   |                |
|--------------------------------------|----------------|
| Ambient temperature during operation | -20 ... +50 °C |
| Protection class IP                  | IP65           |
| Depth                                | 31 mm          |
| Height                               | 66 mm          |
| Width                                | 75 mm          |

#### Certificates/ approvals

| General Product Approval  | EMC   | Declaration of Conformity  | other   |
|---|---|--|---|
| <br>UL |  | <br>RCM | <br>EG-Konf. |
|   |   | <a href="#">Miscellaneous</a>  | <a href="#">Confirmation</a>  |

#### Further information

**Information- and Downloadcenter (Catalogs, Brochures,...)**

[www.siemens.com/sirius/catalogs](http://www.siemens.com/sirius/catalogs)

**Industry Mall (Online ordering system)**

<https://mall.industry.siemens.com/mall/en/en/Catalog/product?mlfb=8WD5320-5AB>

**Cax online generator**

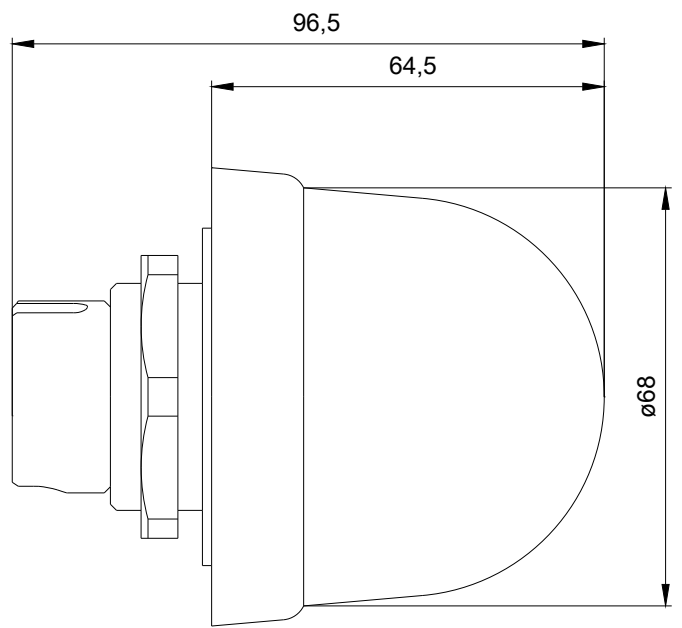
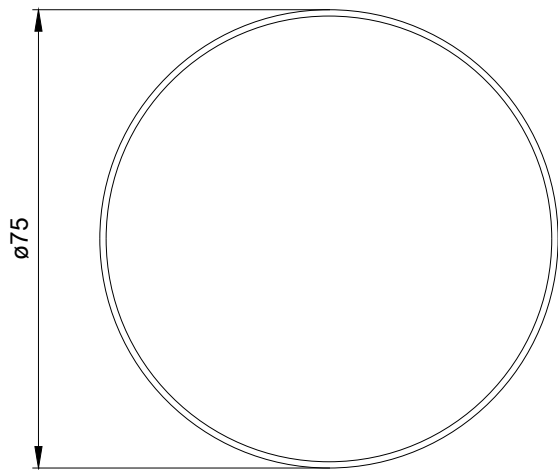
<http://support.automation.siemens.com/WW/CAXorder/default.aspx?lang=en&mlfb=8WD5320-5AB>

**Service&Support (Manuals, Certificates, Characteristics, FAQs,...)**

<https://support.industry.siemens.com/cs/ww/en/ps/8WD5320-5AB>

**Image database (product images, 2D dimension drawings, 3D models, device circuit diagrams, EPLAN macros, ...)**

[http://www.automation.siemens.com/bilddb/cax\\_de.aspx?mlfb=8WD5320-5AB&lang=en](http://www.automation.siemens.com/bilddb/cax_de.aspx?mlfb=8WD5320-5AB&lang=en)



SIEMENS

last modified:

09/13/2019