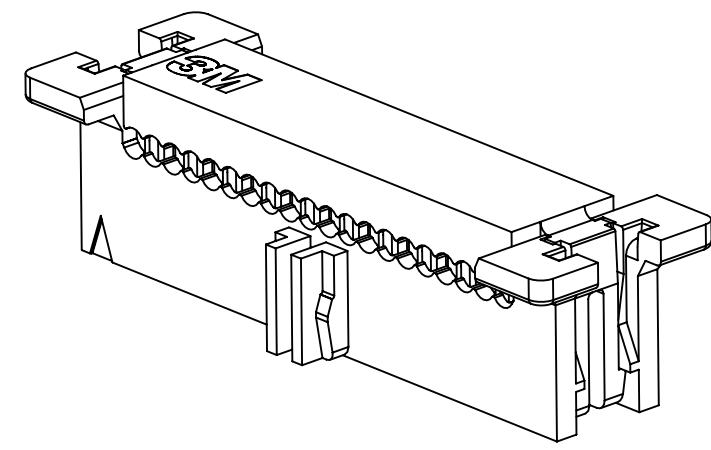
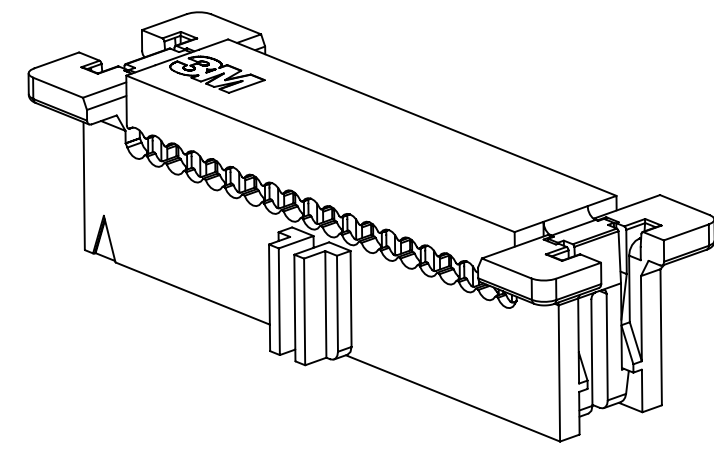


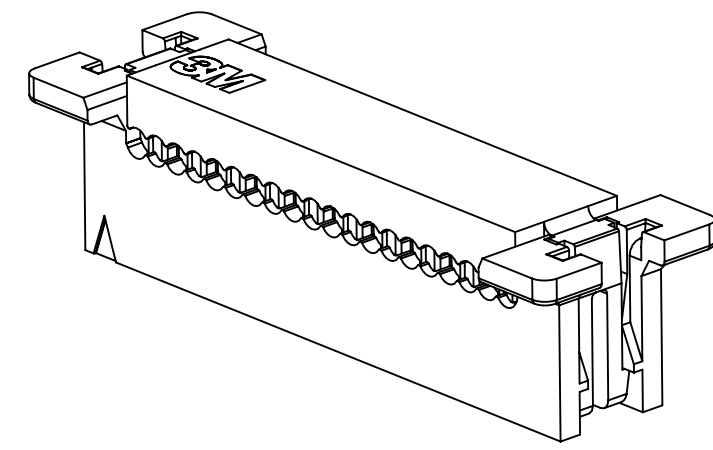
3M™ RIBBON CABLE WIREMOUNT SOCKET ASSEMBLY,
1.27mm (0.050") PITCH, 451 SERIES



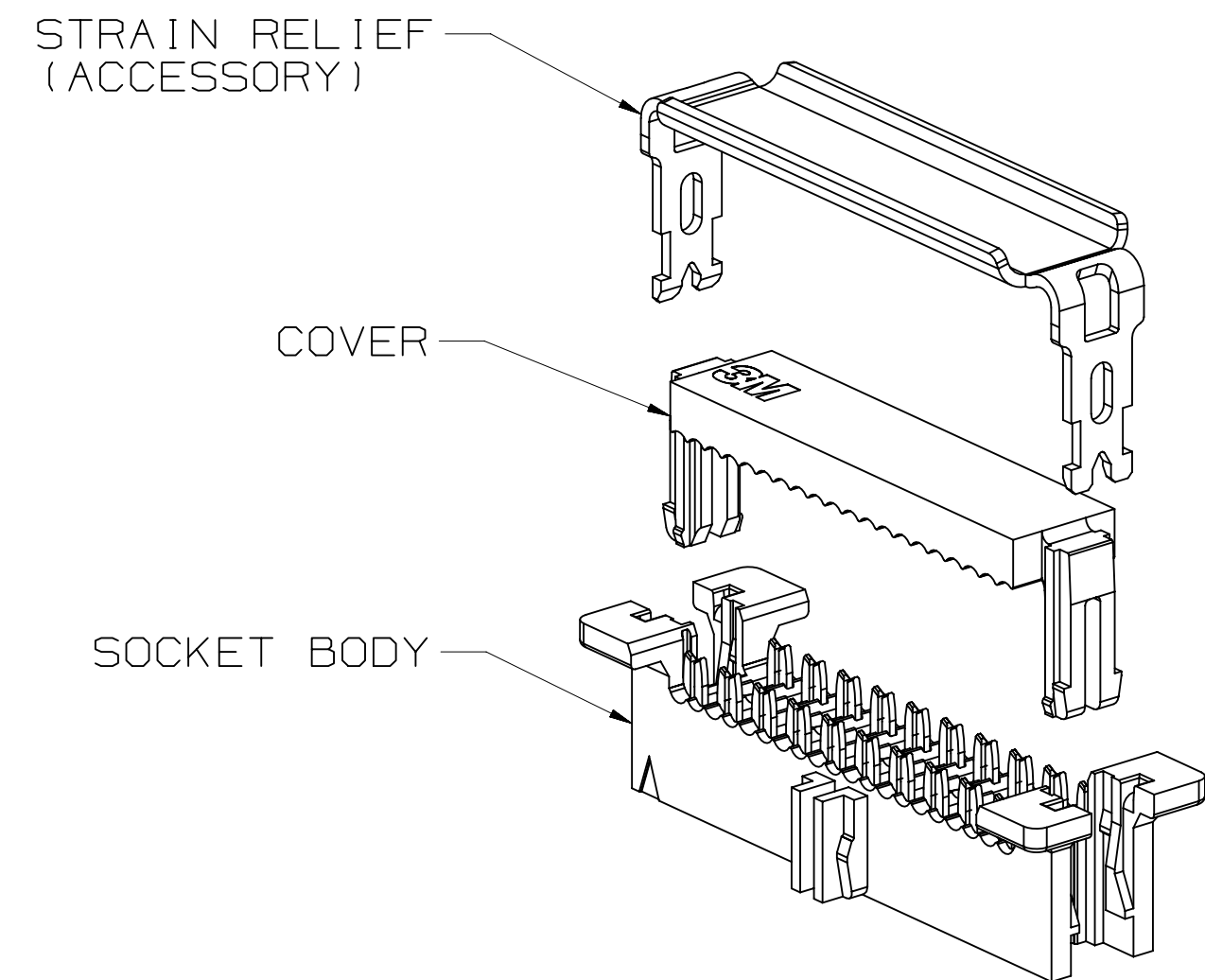
CENTER POLARIZATION
AND FRICTION LATCH



CENTER POLARIZATION
AND NO FRICTION LATCH



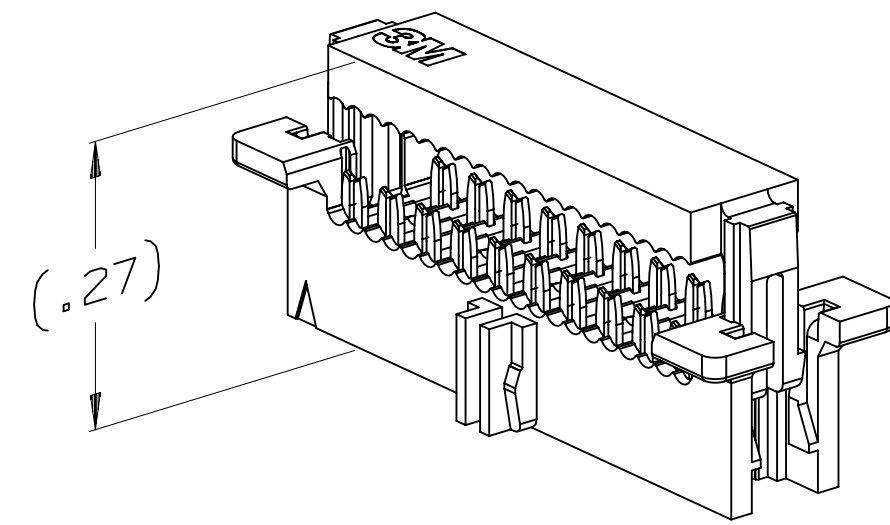
NO CENTER POLARIZATION
AND NO FRICTION LATCH



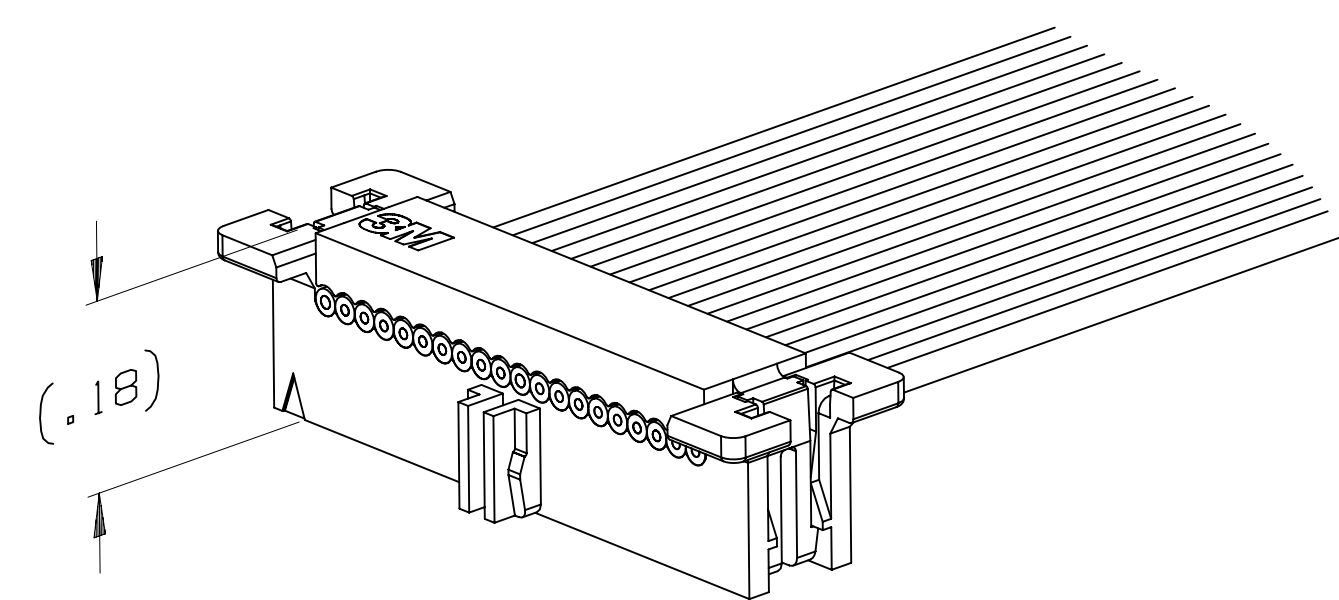
STRAIN RELIEF
(ACCESSORY)

COVER

SOCKET BODY

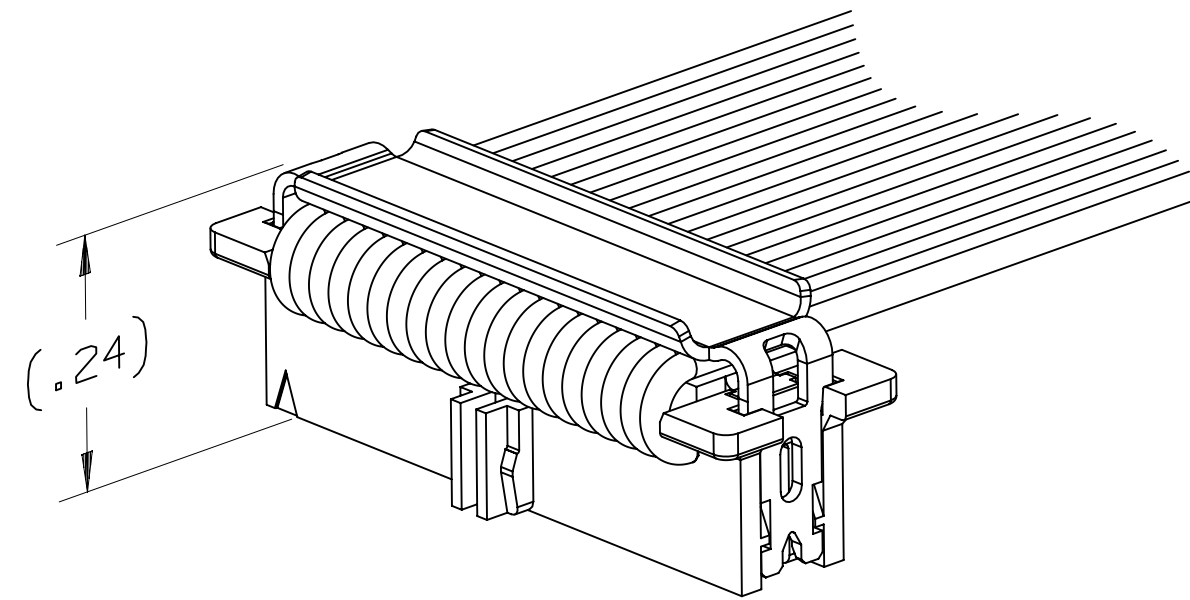


PRE-POSITIONED COVER



NO STRAIN RELIEF

TERMINATED
CONNECTOR



WITH OPTIONAL
STRAIN RELIEF

Performance:	
Current Rating:	1.0 A, all lines energized, 30C temp rise per EIA 364-70
	1.5 A, 6 lines energized, 30C temp rise per EIA 364-70
	2.5 A, 1 line energized, 30C temp rise per EIA 364-70
Voltage Rating:	125V
Insulation Resistance:	> 1 x 10 ⁹ Ohms at 500 VDC
Withstanding Voltage:	1250VACrms at sea level
Operating Temperature:	-65°C to +105°C

- NOTES
- MATERIAL: BODY: PBT, UL94V-0
COVER: PBT, UL94V-0
STRAIN RELIEF: STAINLESS STEEL
CONTACTS: BeCu ALLOY.
 - PLATING: 50-150μ" NICKEL UNDERPLATE
30 = 30μ" MIN. GOLD ON WIPING AREA
00 = FLASH GOLD ON WIPING AREA.
 - RIBBON CABLE COMPATIBILITY: GENERAL: 0.025" PITCH PVC, 30 AWG, SOLID OR 7 STRAND.
RECOMMENDED: 3M 3447 AND 3754 SERIES CABLE.
 - MATING COMPATIBILITY: 3M 1.27mm (0.050"), SERIES 452 HEADER WITH LATCH/EJECT OPTION. TECH SHEET 2437
 - REGULATORY INFORMATION: ROHS COMPLIANT. SEE THE REGULATORY INFORMATION APPENDIX (RIA) IN THE "ROHS COMPLIANCE" SECTION OF WWW.3MCONNECTORS.COM FOR COMPLIANCE INFORMATION (RIA E1 & C1 APPLY)
 - IN THE EVENT OF CONFLICT BETWEEN THIS DATA AND THAT CONTAINED IN THE PRODUCT SPECIFICATION, THE PRODUCT SPECIFICATION TAKES PRECEDENT.
 - REFERENCE RELATED DOCUMENTS: PRODUCT SPECIFICATION: 3M DOC. ID# 78-5102-0091-4.
 - TOOLING AND INSTALLATION INSTRUCTIONS: 3M DOC. ID# 78-9101-8937-8.
 - OTHER PIN COUNTS AVAILABLE UPON REQUEST. CONTACT 3M.
 - PACKAGING: SOCKET: TRAY
COVER: BAG

ORDERING INFORMATION
FOR RAPID INSTALLATION ON
RIBBON CABLE APPLICATIONS

451 XX - 0 X 0 0 XX
 SERIES POSITION COUNT PLATING
 04 - 30 SEE TABLE 1 00 = Au FLASH
 30 = 30μ" GOLD
 OPTIONAL FEATURES
 0 = NONE SPECIFIED
 PACKAGING
 0 = STANDARD (TRAYS)

CENTER POLARIZATION / FRICTION LATCH
 0 = NO CENTER POLARIZATION (CP) (04-30 POS.)
 1 = CP NO FRICTION LATCH (08 - 30 POS.)
 2 = CP WITH FRICTION LATCH (08 - 30 POS.)
 NOTE:
 FRICTION LATCH (OPTION 2) IS NOT SUITABLE
 FOR HEADER WITH LATCH EJECT OPTION

ACCESSORY: STRAIN RELIEF
 3448-451XX
 POSITION COUNT
 04 - 30

APPLICATION TOOLING:
 ALUMINUM: 3443-82-XX
 POSITION COUNT
 04 - 30

REV	ECO	ISSUE DATE AND DESCRIPTION	DRFT	CHKD
E	54514	MAY 07,2014 ADD UL LOGO	SJS	SAN
D	51884	JAN 08,2014 ADD DESIGN REF. UPDATE TITLE, ADD TS REF	SJS	SAN
C	50290	OCT 08,2013 REVISE NOTES 1, 3, 8 & OPERATING TEMP.	JNC	SN
B	48635	JUL 12,2013 MATCH TEXT FONTS & ADD NOTE 10	JNC	SN
A	46797	MAR 25,2013 PRODUCTION RELEASE	JNC	SAN

78-5100-2396-9 78-5100-2437-1	DESIGN REFERENCE	NEXT ASSEMBLY	REV	ECO	ISSUE DATE AND DESCRIPTION	DRFT	CHKD
Interconnect Solutions	ISD		ARM		FEB 11,2011		
DO NOT SCALE DRAWING	SCALE 6-1	TOLERANCES EXCEPT AS NOTED					
THIRD ANGLE PROJECTION	INTERPRET PER ASME Y14.5 - 2009	MILLIMETERS					
MAX SURFACE ROUGHNESS	12.5 SURFACES	MARKED ONLY					
3M			© 3M COMPANY 2014 This document and the information it contains are 3M property and may not be reproduced or further distributed without 3M permission, or used or disclosed other than for 3M authorized purposes. All rights reserved.				
RIBBON CABLE SOCKET, 05 X 05 PITCH, 451 SERIES			CAGE NUMBER D78-5100-2436-3				
UL FILE NO: E68080			REV. E				

3M ELECTRONIC SOLUTIONS DIVISION
 INTERCONNECT SOLUTIONS
<http://www.3mconnectors.com>
 3M IS A TRADEMARK OF 3M COMPANY.
 FOR TECHNICAL, SALES OR ORDERING
 INFORMATION CALL 800-225-5373

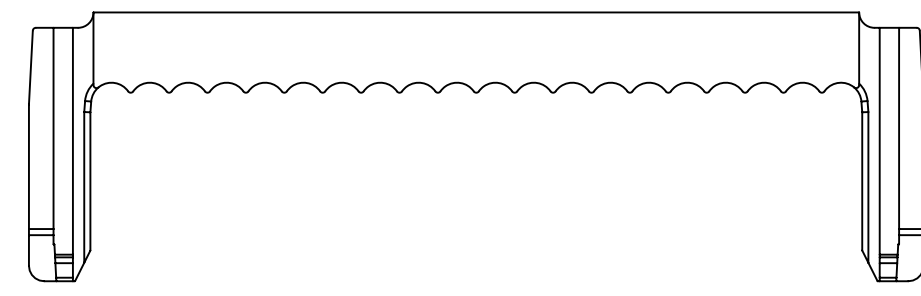
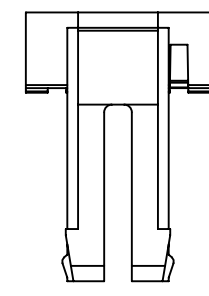
3M
 UL FILE NO: E68080

78-5100-2436-3
DRAWING NUMBER
REV. E
7:44 AM UTC-05:00
7/14/2014
SHT 1 OF 2

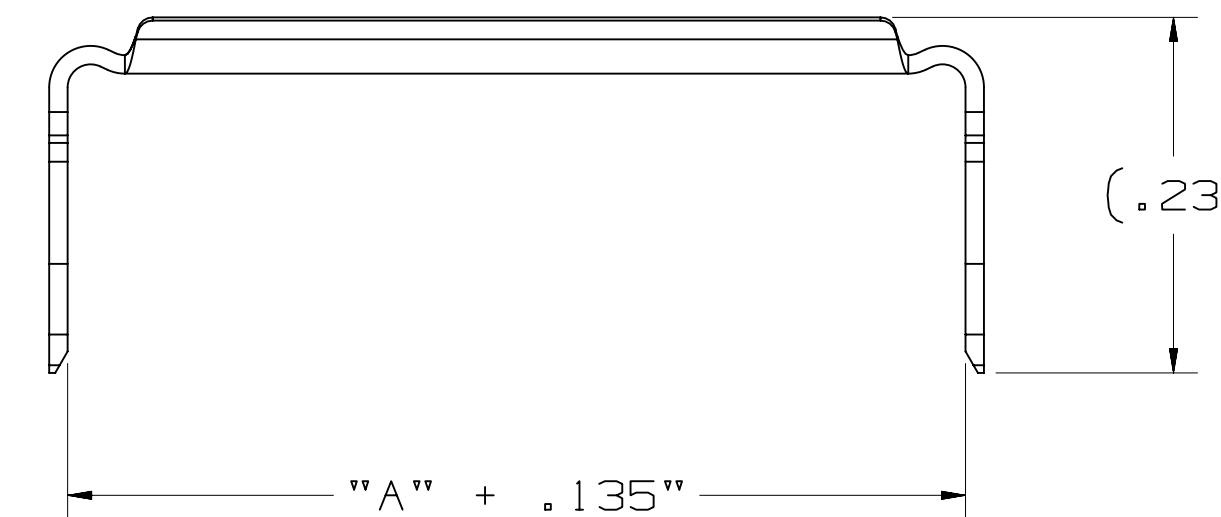
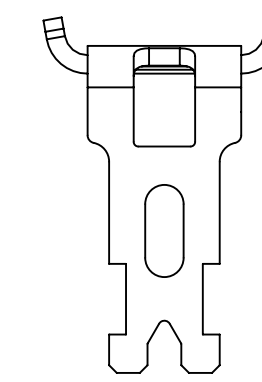
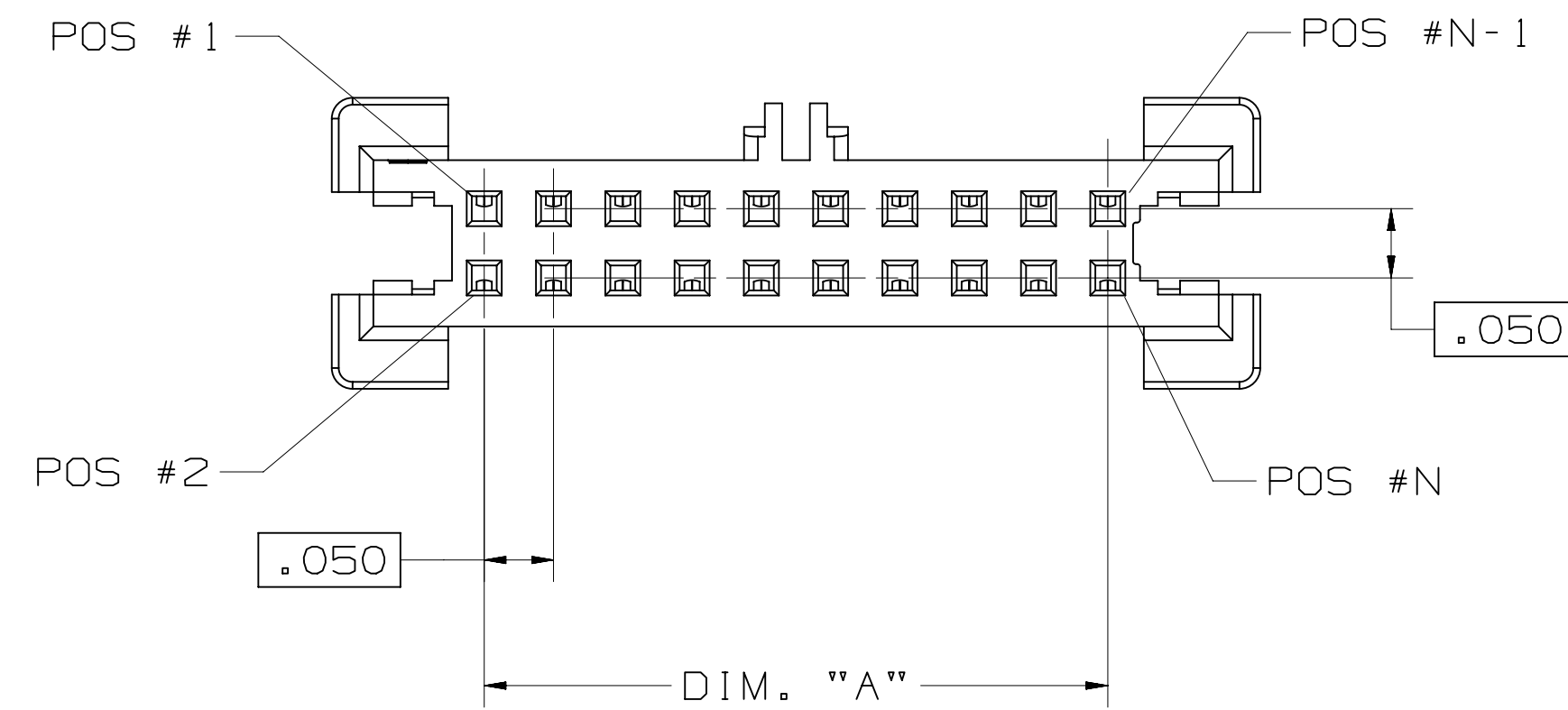
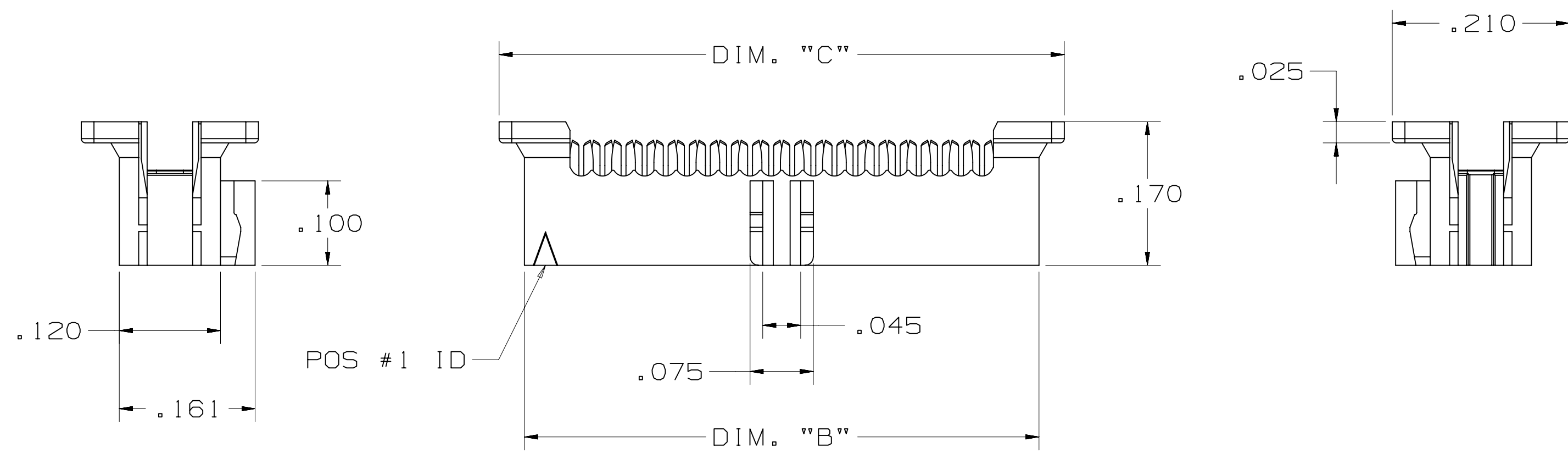
3M™ RIBBON CABLE WIREMOUNT SOCKET ASSEMBLY,
1.27mm (0.050") PITCH, 451 SERIES

TABLE 1

No. Positions	Dim "A"	Dim "B"	Dim "C"
4	.050	.210	.270
6	.100	.260	.320
8	.150	.310	.370
10	.200	.360	.420
12	.250	.410	.470
14	.300	.460	.520
16	.350	.510	.570
20	.450	.610	.670
30	.700	.860	.920



COVER



ACCESSORY - STRAIN RELIEF
PART NUMBER 3448-451XX

REV	ECO	ISSUE DATE AND DESCRIPTION	DRFT	CHKD
E	54514	MAY 07, 2014 ADD UL LOGO	SJS	SAN
D	51884	JAN 08, 2014 ADD DESIGN REF. UPDATE TITLE, ADD TS REF	SJS	SAN
C	50290	OCT 08, 2013 REVISE NOTES 1, 3, 8 & OPERATING TEMP.	JNC	SN
B	48635	JUL 12, 2013 MATCH TEXT FONTS & ADD NOTE 10	JNC	SN
A	46797	MAR 25, 2013 PRODUCTION RELEASE	JNC	SAN

78-5100-2396-9
78-5100-2437-1

DESIGN REFERENCE	NEXT ASSEMBLY

SCALE	TOLERANCES EXCEPT AS NOTED
DO NOT SCALE DRAWING	INCHES +.1 -.02 .000 ± .010 .0000 ± .005
THIRD ANGLE PROJECTION	MILLIMETERS 0 ± .0 ± .00 ± 200 ±
INTERPRET PER ASME Y14.5 - 2009	MAX SURFACE ROUGHNESS R _A SURFACES MARKED ONLY

TITLE
RIBBON CABLE SOCKET, .05 X .05 PITCH, 451 SERIES
CAGE NUMBER D 78-5100-2436-3
REV. NUMBER E

78-5100-2436-3
DRAWING NUMBER
E
REVISION
7:44 AM UTC-05:00
A